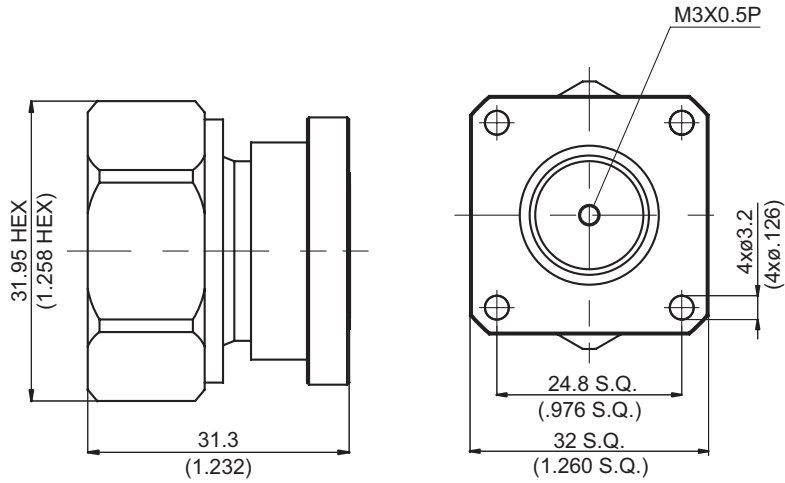


7/16-3640-0000 7/16 Plug For Panel Receptacle 50Ω



Parts	Material	Plating(Micro-inch)
Gasket	Silicon	
Retainer Ring	Brass	Silver 150 Over Copper 50
Contact Pin	Brass	Silver 150 Over Copper 50
Insulator	Teflon	
Body	Brass	Silver 150 Over Copper 50
Coupling Nut	Brass	Silver 150 Over Copper 50

Weight: 125.33 g

This part number complies with RoHS.

Notice: JYEBAO reserves the right to make modifications deemed appropriate.