



Raychem

TE Internal #: 842783-000

High Speed Digital & Data Cable, Cheminax, 94 Ω, 24AWG Wire Size, Operating Temperature Range -65 – 200 °C [-85 – 392 °F]

[View on TE.com >](#)

Wire & Cable > High Speed Digital & Data Cable



High Speed Digital & Data Cable Type: **Cheminax**

Impedance: **94 Ω**

Wire Size: **24 AWG**

Operating Temperature Range: **-65 – 200 °C [-85 – 392 °F]**

**Features**

**Product Type Features**

High Speed Digital & Data Cable Type	Cheminax
--------------------------------------	----------

**Electrical Characteristics**

Impedance	94 Ω
-----------	------

**Dimensions**

Wire Size	24 AWG
-----------	--------

**Usage Conditions**

Operating Temperature Range	-65 – 200 °C[-85 – 392 °F]
-----------------------------	----------------------------

**Product Compliance**

[For compliance documentation, visit the product page on TE.com>](#)

EU RoHS Directive 2011/65/EU	Compliant
EU ELV Directive 2000/53/EC	Compliant
China RoHS 2 Directive MIIT Order No 32, 2016	No Restricted Materials Above Threshold
EU REACH Regulation (EC) No. 1907/2006	Current ECHA Candidate List: JUN 2020 (209) Candidate List Declared Against: JAN 2019 (197) Does not contain REACH SVHC
Halogen Content	Out of Scope - excluded from Halogen requirements



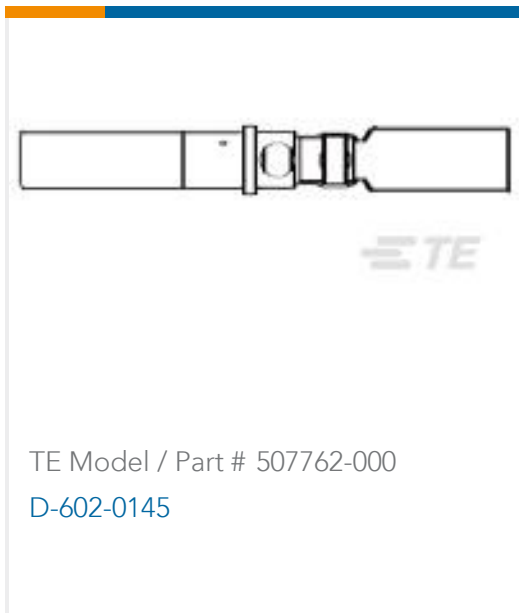
Solder Process Capability

Not applicable for solder process capability

Product Compliance Disclaimer

This information is provided based on reasonable inquiry of our suppliers and represents our current actual knowledge based on the information they provided. This information is subject to change. The part numbers that TE has identified as EU RoHS compliant have a maximum concentration of 0.1% by weight in homogenous materials for lead, hexavalent chromium, mercury, PBB, PBDE, DBP, BBP, DEHP, DIBP, and 0.01% for cadmium, or qualify for an exemption to these limits as defined in the Annexes of Directive 2011/65/EU (RoHS2). Finished electrical and electronic equipment products will be CE marked as required by Directive 2011/65/EU. Components may not be CE marked. Additionally, the part numbers that TE has identified as EU ELV compliant have a maximum concentration of 0.1% by weight in homogenous materials for lead, hexavalent chromium, and mercury, and 0.01% for cadmium, or qualify for an exemption to these limits as defined in the Annexes of Directive 2000/53/EC (ELV). Regarding the REACH Regulation, the information TE provides on SVHC in articles for this part number is based on the latest European Chemicals Agency (ECHA) 'Guidance on requirements for substances in articles' posted at this URL: <https://echa.europa.eu/guidance-documents/guidance-on-reach>

### Compatible Parts

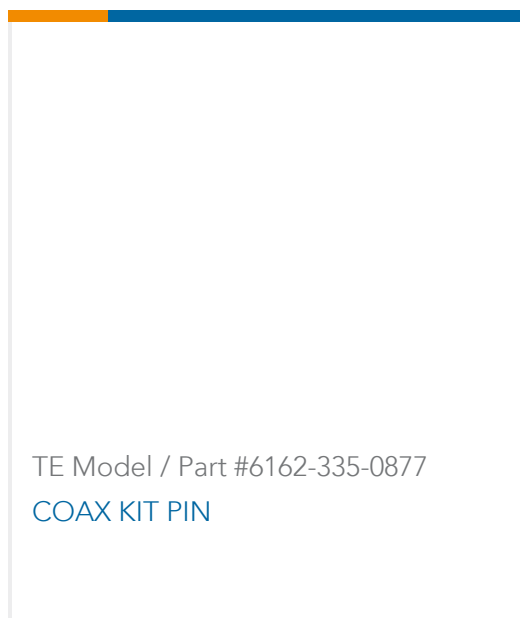


TE Model / Part # 507762-000  
D-602-0145

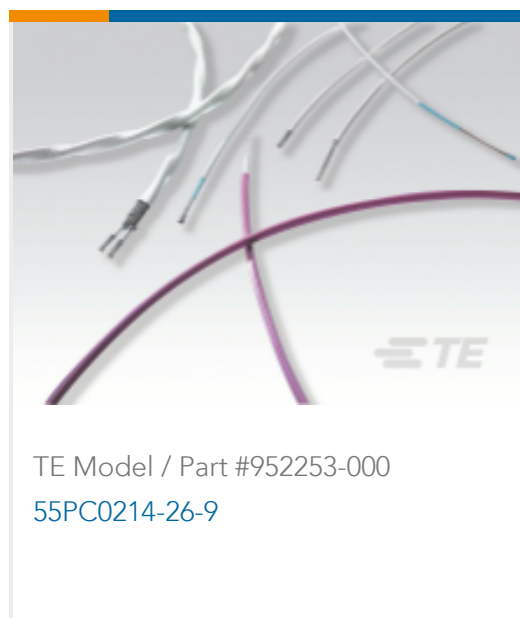
### Customers Also Bought



TE Model / Part #53416-2  
PIDG RADIATION REST/150 C RINGS /SPADES



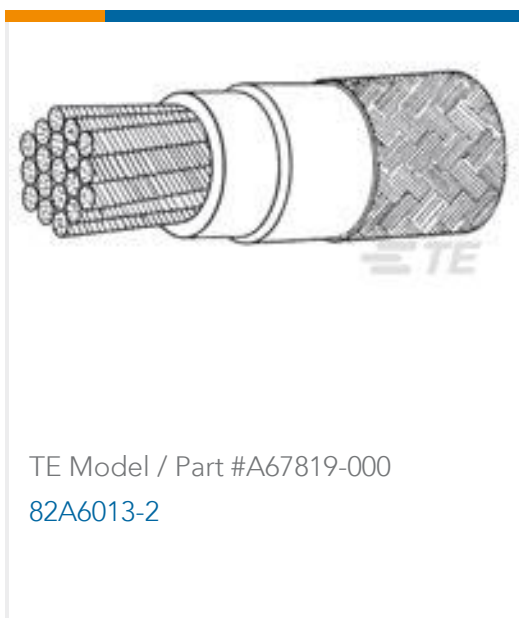
TE Model / Part #6162-335-0877  
COAX KIT PIN



TE Model / Part #952253-000  
55PC0214-26-9



TE Model / Part #413711-000  
5026R042A-9X



TE Model / Part #A67819-000  
82A6013-2



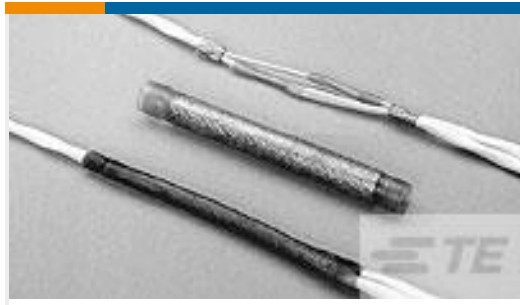
TE Model / Part #  
YACT20JA35PNC00100  
SQUARE FLANGE RECEPTACLE



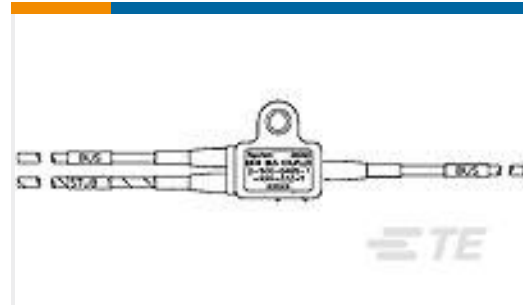
TE Model / Part #  
YACT20JE99PNC00100  
SQUARE FLANGE RECEPTACLE



TE Model / Part #  
YACT20JJ04SNC00100  
SQUARE FLANGE RECEPTACLE



TE Model / Part #626967-000  
[D-153-6004](#)



TE Model / Part #903415-000  
[D-500-0465-1-612-236](#)

## Documents

### Product Drawings

[9424A0421-9X](#)

English

---

### Datasheets & Catalog Pages

[1654025\\_Sec9\\_CheminaxCables](#)

English

### Wire and Cable Overview

English

---

### Product Specifications

[Product Specification](#)

English