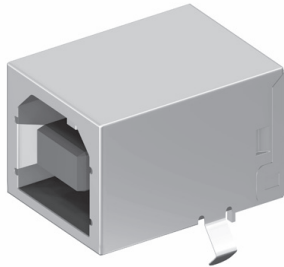


USB TYPE B
ID: 418

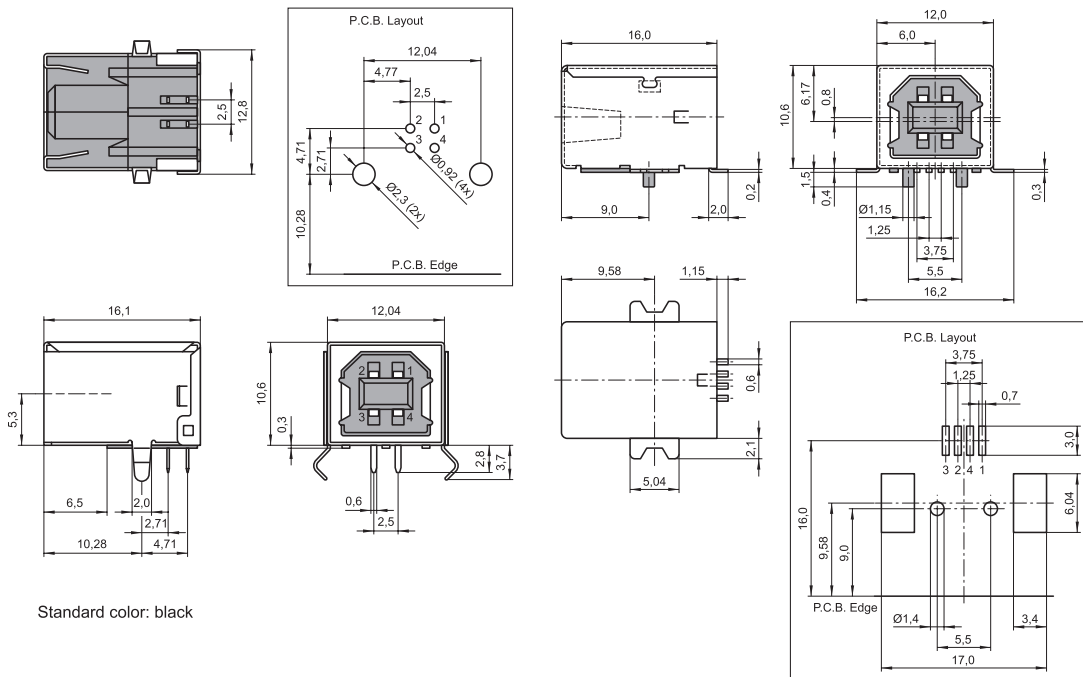
USB - B - 1060

Series 730



TECHNICAL DATA

Insulating Material	Thermoplast, high temp. thermoplast UL94V-0
Contact Material	phosphor bronze
Rated Current	0,5 Amp.
Rated Voltage	40 V
Withstanding Voltage	500 VAC
Operating Temperature	-25°C to +85°C
Maximum Soldering Temperature	L: 230°C for 5 seconds, U: 260°C for 10 seconds



All dimensions in mm.
Other dimensions upon request.

USB - B - 1060 X GT - 004 P X

- B: Type B
- 1060: mounting height 10,6mm
- Type: A = right angled DIP
P = parallel SMD
- GT: sel. Au
- RoHS: U = RoHS-compliant with high temp. plastic
L = RoHS-compliant with standard temp. plastic
- P: Pos.Pin (SMD only)
- 004: 4 contacts