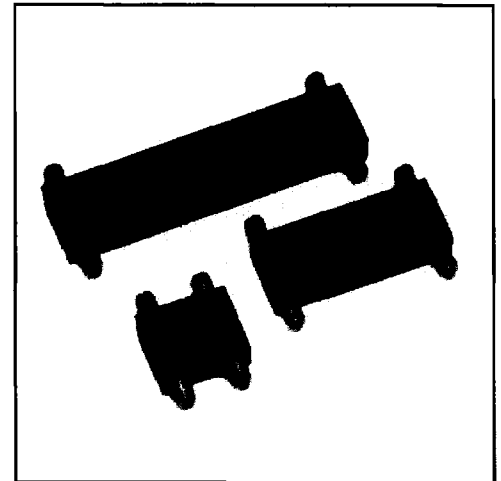


.215-11 GHz

TYPE N COAXIAL 90° HYBRIDS

- Broadband Coverage
- Signal Isolation Over a Complete Band
- Low VSWR
- Flat Frequency Response
- 200 Watt Power Handling
- New Cellular band 500W Model 3322

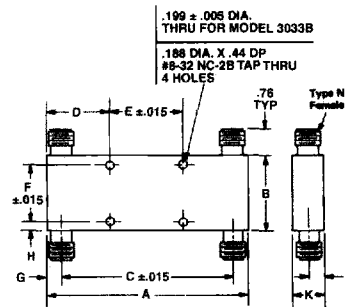
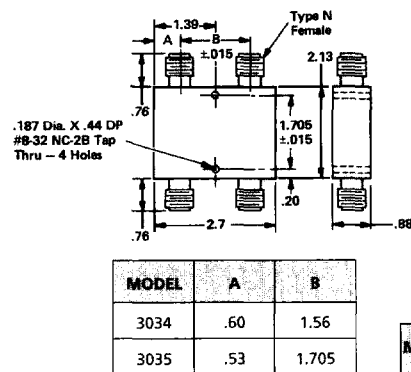


SPECIFICATIONS

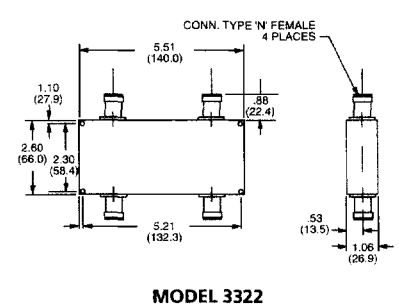
FREQUENCY RANGE GHz	MODEL	COUPLING (Nominal) dB	VSWR (Max)	ISOLATION dB (Min)	AMP BAL dB	PHASE BAL Degrees	POWER		WEIGHT	
							Avg Watts	Peak kW	lbs	kg
0.82-0.98	3322	3 +0.2 -0.0	1.25	20	±0.25	5°	500	10	2	0.9
.95-2.0	3032	3 +0.3 -0.0	1.2	20	±0.25	5°	200	5	1.5	.68
1.7-4.2	3033B*	3 +.35 -0.0	1.25	20	±0.25	5°	200	5	1	.5
4-8	3034	3 +0.3 -0.0	1.3	18	±0.50	10°	200	5	1	.5
7-11	3035*	3 +0.4 -0.0	1.35	17	±0.50	10°	200	5	1	.5

* Custom order models available upon request. Consult the factory.

OUTLINE DRAWINGS



MODEL	A	B	C	D	E	F	G	H	J	K
3032	5.51	2.11	4.750	1.77	2.000	1.605	.38	.27	.44	.88
3033B	4.00	2.11	3.056	1.32	1.375	1.605	.48	.26	.45	.89



All dimensions are Max unless otherwise specified.