

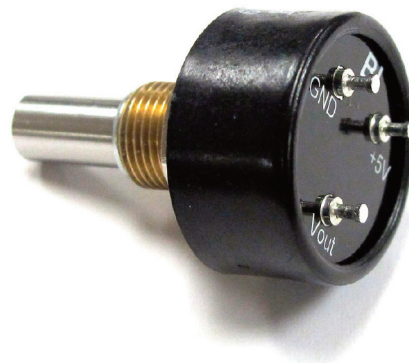
# Model 6120

## Position Sensor

### 7/8" Diameter

### Non-Contacting Hall Effect

### Single Turn



#### MODEL STYLES AVAILABLE

6121	1/8" Shaft, 1/4" Bushing
6124	6 mm Shaft, 3/8" Bushing
6126	1/8" Shaft, 3/8" Bushing
6127	1/4" Shaft, 3/8" Bushing
612x-XXXX	Custom models are available; Contact Customer Service for special features

#### ELECTRICAL<sup>1</sup>

Output Voltage	0.25 Vdc to 4.75 Vdc Typical (see Feature Codes table)
Output Overvoltage Limits	10 Vdc to -0.3 Vdc; output may be shorted to ground or supply without damage
Output Current	±8 mA Max.
Output Load	1 kΩ Min., 10 kΩ Typical
Input Voltage	4.5 to 5.5 Vdc
Supply Voltage Absolute Limits	20 Vdc Max., -10 Vdc Min.
Independent Linearity <sup>2</sup>	±0.5% (0.25% Available)
Hysteresis	0.2% Max.
Resolution	0.088° for 360° travel, 0.011° for 45° travel
Supply Current	7.5 mA Typical, 11 mA Max.
Dielectric Strength	750 V rms
Insulation Resistance	1,000 MegΩ Min.
Electrostatic Discharge (ESD)	Passes 2 kV human body model and 15 kV air discharge
Bulk Current Injection (BCI)	Passes 2-500 MHz at 200 mA
Actual Electrical Travel	360° Typical (see Ordering Information)
Temperature Coefficient of Output Voltage	± 20 ppm/°C

#### MECHANICAL

Total Mechanical Travel	360° Continuous (320° with stop feature)
Bearing	Bearing Bronze Bushing
Weight	0.6 oz. Typical
Static Stop Strength	40 in. oz.
Panel Nut Tightening Torque	25 in. lb. Max.

<sup>1</sup> Specifications subject to change without notice.

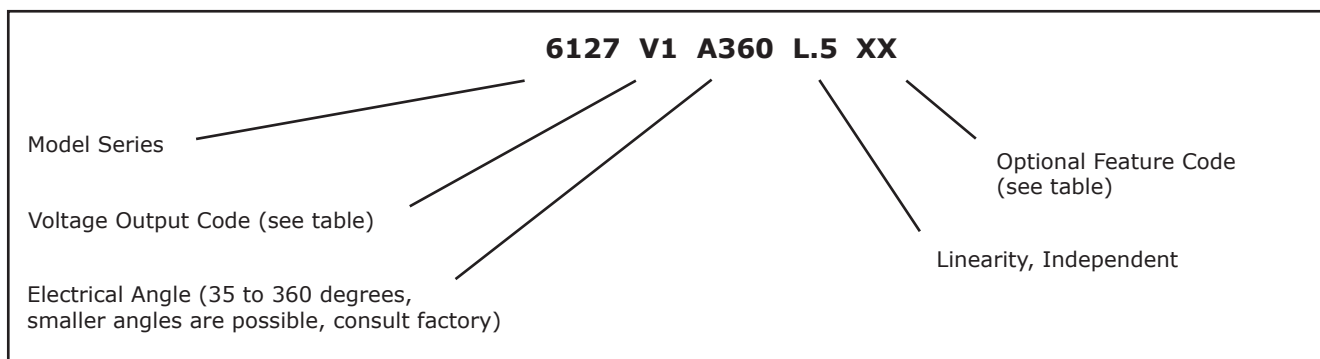
<sup>2</sup> Linearity is measured between 1% and 99% of input voltage.

# Model 6120

## ENVIRONMENTAL

Operating Temperature Range	-40°C to +125°C
Shock	Per MIL R-39023, 6 ms Saw-tooth 100 G's
Vibration	Per MIL R-39023, 10 G's, 100 to 500 Hz
Moisture Resistance, Powered	Per MIL 202G, Method 106G
Rotational Life	10 million shaft revolutions
Storage Temperature Range	-55°C to +125°C

## ORDERING INFORMATION



## FEATURE CODES

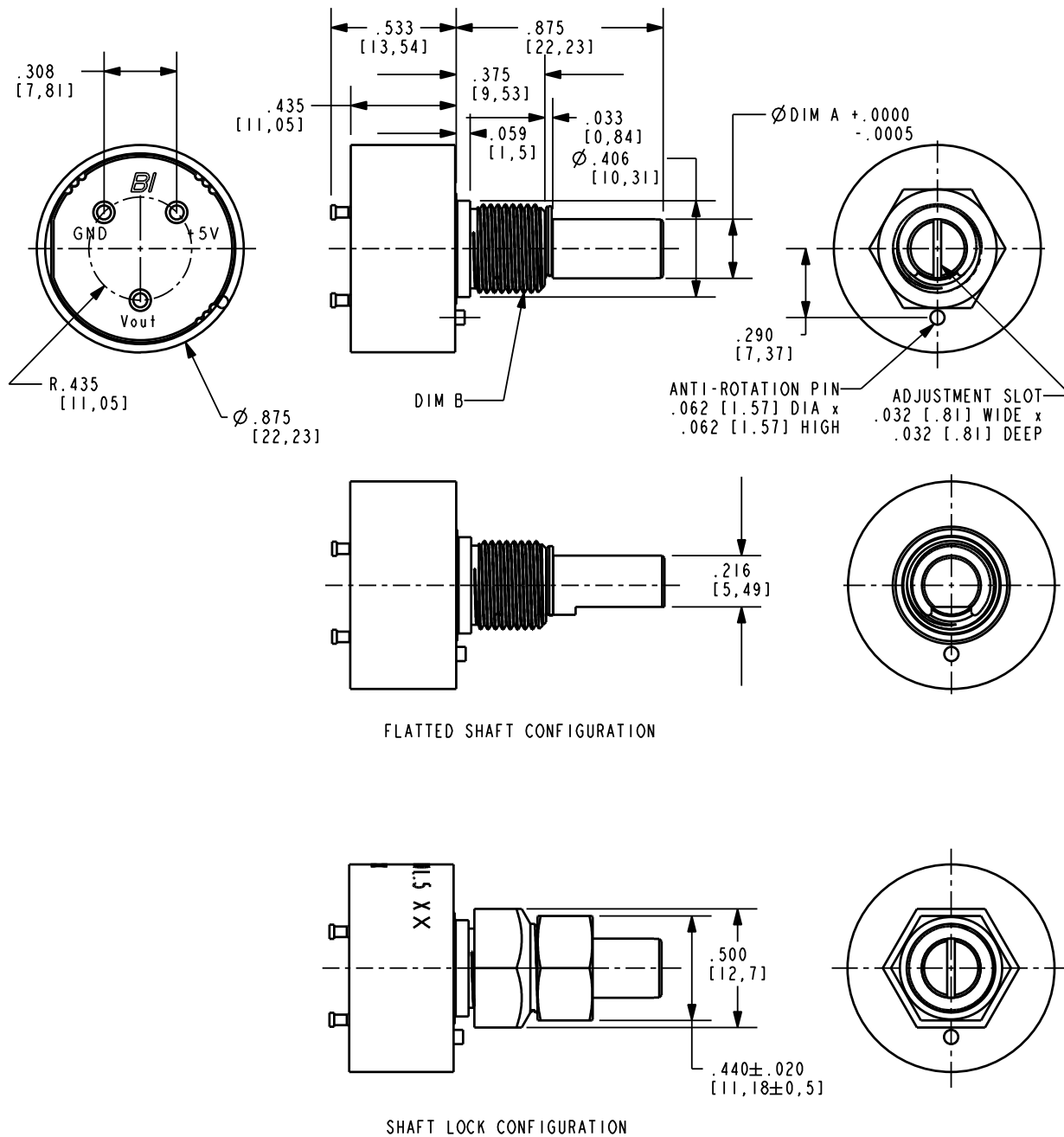
Voltage Output Codes		Optional Feature Codes	
V0	≤ 0.15 Vdc to ≥ 4.8 Vdc	ST	Stop (320°)
V1	0.2 Vdc to 4.8 Vdc	FS	Flatted Shaft (slot standard)
V2	0.25 Vdc to 4.75 Vdc	LT	Linearity Data
V3	0.5 Vdc to 4.5 Vdc	SL	Shaft Lock
V4	0.75 Vdc to 4.25 Vdc	CW	Reverse Direction
V5	1 Vdc to 4 Vdc		

When V0 is used the angle specified is the theoretical angle over which the output would vary if the output could actually reach 0% and 100% of Vcc.

When multiple Optional Feature codes are used the P/N shall be in the same sequence as listed in this table (top to bottom).

# Model 6120

## OUTLINE DRAWING



DIM	6121	6124	6126	6127
A	.1248	6 mm	.1248	.2497
B	1/4-32 UNEF	3/8-32 UNEF	3/8-32 UNEF	3/8-32 UNEF

### NOTES:

1. UNIT SHIPS WITH NUT AND WASHER (NOT SHOWN).
2. FOR SLOTTED OR FLATTED SHAFT, OUTPUT IS AT 50% IN POSITION SHOWN.
3. DIMENSIONS: INCHES [mm].
4. TOLERANCES:  $\pm .015$  [.38] UNLESS NOTED.

BI Technologies Corporation

4200 Bonita Place, Fullerton, CA 92835 USA

Phone: 714 447 2345 Website: [www.bitechnologies.com](http://www.bitechnologies.com)

August 3, 2012

Model 6120 page 3 of 3

 **electronics**  
BI Technologies