

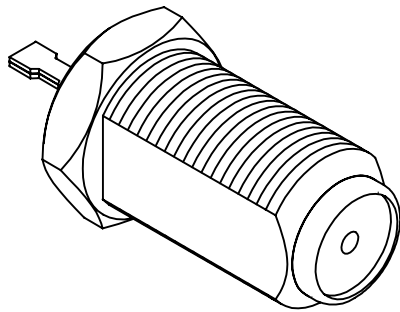
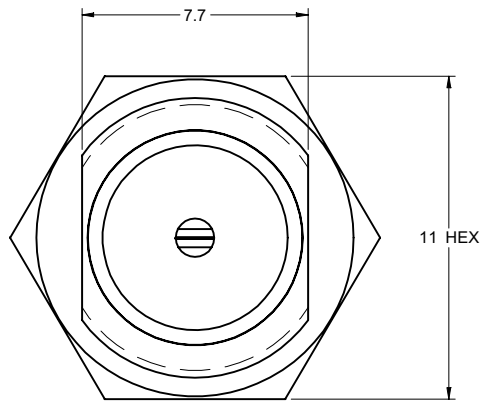
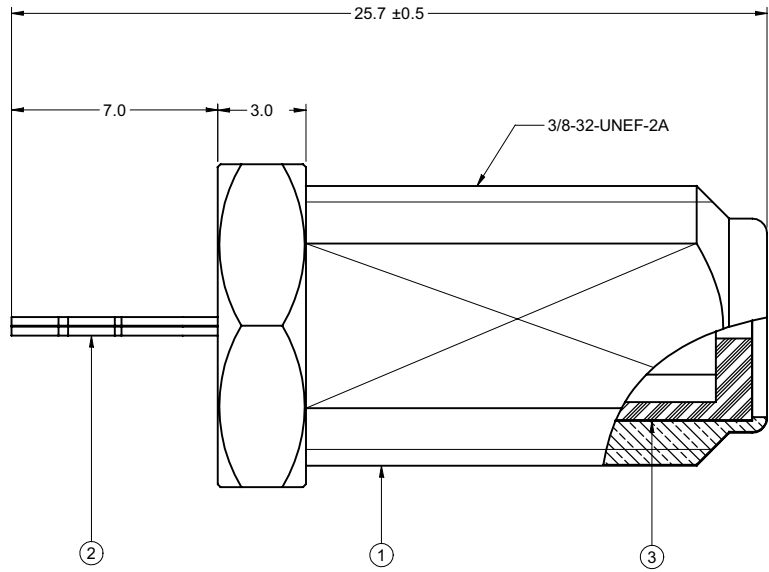
PART NUMBER	ITEM ① BODY	ITEM ② CONTACT	ITEM ③ INSULATOR
25-7635	BRASS NICKEL PLATED	BRASS NICKEL PLATED	PP

受控 CONTROLLED DOCUMENT

编号 P/N	25-7635	版本 Rev	0C	日期 Rel'd Date	Mar 24, 08
-----------	---------	-----------	----	------------------	------------

DRAWING NO. 25-7635	
REVISIONS	
A	RELEASE FOR QUOTATION 08-10-06 L Y T
B	ADD RoHS AND PACKAGING NOTES. 10-23-06 L Y T
C	UPDATE THE NOTE 07-06-07 L Z T

Thomas Chow
2007.08.17
15:05:38
+08'00'



NOTES:
TECHNICAL REQUIREMENT REFER TO EMERSON NET WORK POWER CONNECTIVITY SOLUTIONS DOCUMENT P/N 25-0000.

THIS DRAWING TO BE INTERPRETED
PER ANSI Y 14.5M - 1994
COMPANY CONFIDENTIAL

TOLERANCE UNLESS OTHERWISE SPECIFIED		DRAWN BY LINDA.WU		DATE 07-06-07	
DECIMALS	mm	CHECKED BY GARY.ZHG		DATE 07-06-07	
X	± 0.5	APPROVED BY THOMAS		DATE 08-07-07	
X.X	± 0.2				
X.XX	± 0.1				
ANGLES	± 0.5°	U/M	mm		

 cinch <small>CONNECTIVITY SOLUTIONS</small> <small>A DIEL GROUP</small>	
TITLE F FEMALE SOLDER CHASIS MT	
SHEET 1 OF 1	DRAWING NO. 25-7635
SIZE C	

THIS DRAWING WAS PRODUCED BY COMPUTER, DO NOT SCALE DRAWING OR UPDATE MANUALLY.