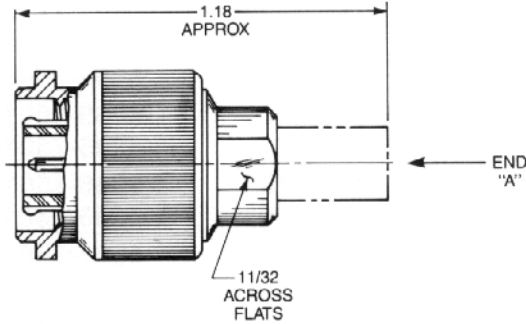


adapters

BETWEEN SERIES

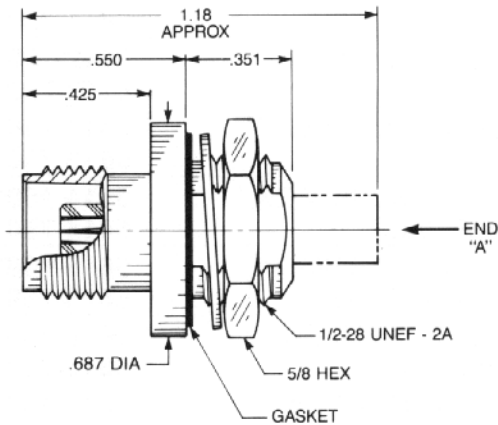
TNC TO SUBMINIATURE

TNC Plug



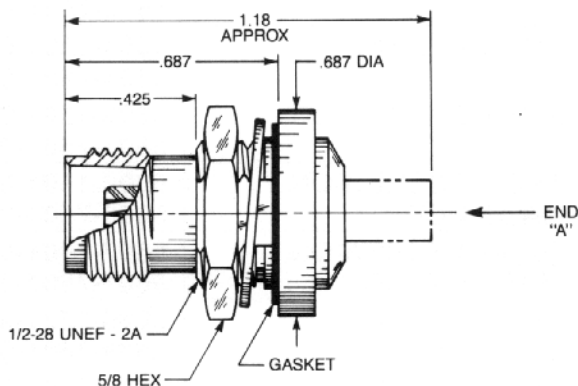
END "A" CONFIGURATION	SMC MALE JACK	5302-1501-000 5302-7501-000
	SMC FEMALE PLUG	5303-1501-000 5303-7501-000
	SMB MALE JACK	5304-1501-000 5304-7501-000
	SMB FEMALE PLUG	5305-1501-000 5305-7501-000
	75 OHM SCREW-ON MALE JACK	5306-1501-000 5306-7501-000
	75OHM SCREW-ON FEMALE PLUG	5307-1501-000 5307-7501-000
	75 OHM SNAP-ON MALE JACK	5308-1501-000 5308-7501-000
	75 OHM SNAP-ON FEMALE PLUG	5309-1501-000 5309-7501-000

TNC Bulkhead Jack FRONT MOUNT



END "A" CONFIGURATION	SMC MALE JACK	5110-1501-000 5110-7501-000
	SMC FEMALE PLUG	5111-1501-000 5111-7501-000
	SMB MALE JACK	5112-1501-000 5112-7501-000
	SMB FEMALE PLUG	5113-1501-000 5113-7501-000
	75 OHM SCREW-ON MALE JACK	5114-1501-000 5114-7501-000
	75 OHM SCREW-ON FEMALE PLUG	5115-1501-000 5115-7501-000
	75 OHM SNAP-ON MALE JACK	5116-1501-000 5116-7501-000
	75 OHM SNAP-ON FEMALE PLUG	5117-1501-000 5117-7501-000

TNC Bulkhead Jack REAR MOUNT



END "A" CONFIGURATION	SMC MALE JACK	5102-1501-000 5102-7501-000
	SMC FEMALE PLUG	5103-1501-000 5103-7501-000
	SMB MALE JACK	5104-1501-000 5104-7501-000
	SMB FEMALE PLUG	5105-1501-000 5105-7501-000
	75 OHM SCREW-ON MALE JACK	5106-1501-000 5106-7501-000
	75 OHM SCREW-ON FEMALE PLUG	5107-1501-000 5107-7501-000
	75 OHM SNAP-ON MALE JACK	5108-1501-000 5108-7501-000
	75 OHM SNAP-ON FEMALE PLUG	5109-1501-000 5109-7501-000

-1501- indicates gold plated body
-7501- indicates nickel plated body

AEP New Haven, CT
203/776-2813