



# DRAM

# 4 MEG x 1 DRAM

## FAST PAGE MODE

### AVAILABLE AS MILITARY SPECIFICATONS

- SMD 5962-90622
- MIL-STD-883

### FEATURES

- Industry standard x1 pinout, timing, functions and packages
- High-performance, CMOS silicon-gate process
- Single +5V ±10% power supply
- Low-power, 2.5mW standby; 300mW active, typical
- All inputs, outputs and clocks are fully TTL and CMOS compatible
- 1,024-cycle refresh distributed across 16ms
- Refresh modes: RAS-ONLY, CAS-BEFORE-RAS (CBR), and HIDDEN
- FAST PAGE MODE access cycle
- CBR with  $\overline{WE}$  a HIGH (JEDEC test mode capable via WCBR)

### OPTIONS

- Timing
  - 70ns access
  - 80ns access
  - 100ns access
  - 120ns access

### MARKING

- Packages
 

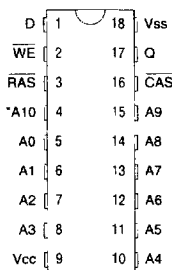
Ceramic DIP (300 mil)	CN	No. 101
Ceramic DIP (400 mil)	C	No. 102
Ceramic LCC	EC	No. 202
Ceramic SOJ	ECJ	No. 504
Ceramic ZIP	CZ	No. 400
Ceramic Gull Wing	ECCG	No. 600

### GENERAL DESCRIPTION

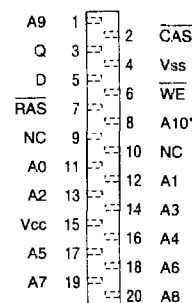
The MT4C1004J is a randomly accessed solid-state memory containing 4,194,304 bits organized in a x1 configuration. During READ or WRITE cycles, each bit is uniquely addressed through the 22 address bits which are entered 11 bits (A0-A10) at a time.  $\overline{RAS}$  is used to latch the first 11 bits and  $\overline{CAS}$  the latter 11 bits. A READ or WRITE cycle is selected with the  $\overline{WE}$  input. A logic HIGH on  $\overline{WE}$  dictates READ mode while a logic LOW on  $\overline{WE}$  dictates WRITE mode. During a WRITE cycle, data-in (D) is latched by the

### PIN ASSIGNMENT (Top View)

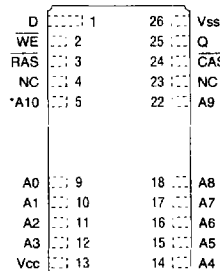
#### 18-Pin DIP



#### 20-Pin ZIP



#### 20-Pin SOJ 20-Pin LCC 20-Pin Gull Wing



\*Address not used for RAS-ONLY REFRESH

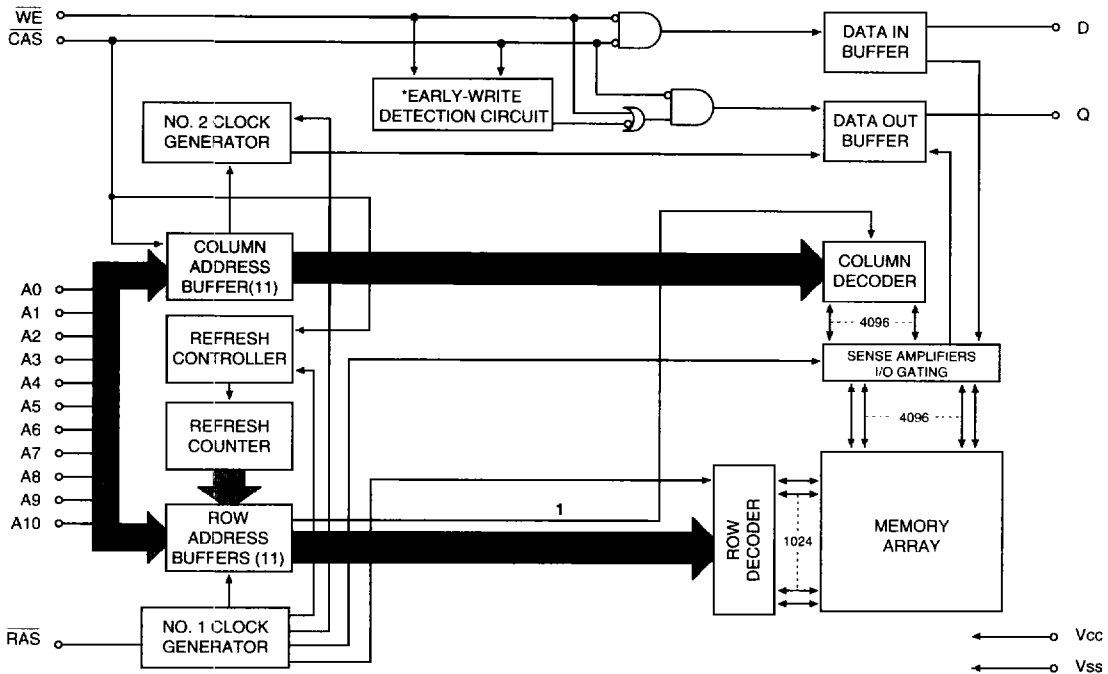
falling edge of  $\overline{WE}$  or  $\overline{CAS}$ , whichever occurs last. If  $\overline{WE}$  goes LOW prior to  $\overline{CAS}$  going LOW, the output pin remains open (High-Z) until the next  $\overline{CAS}$  cycle. If  $\overline{WE}$  goes LOW after data reaches the output pin, Q is activated and retains the selected cell data as long as  $\overline{CAS}$  remains LOW (regardless of  $\overline{WE}$  or  $\overline{RAS}$ ). This LATE- $\overline{WE}$  pulse results in a READ-WRITE cycle. FAST PAGE MODE operations allow faster data operations (READ, WRITE or READ-MODIFY-WRITE) within a row-address (A0-A10) defined page



boundary. The FAST PAGE MODE cycle is always initiated with a row address strobed-in by  $\overline{RAS}$  followed by a column address strobed-in by  $\overline{CAS}$ .  $\overline{CAS}$  may be toggled-in by holding  $\overline{RAS}$  LOW and strobing-in different column addresses, thus executing faster memory cycles. Returning  $\overline{RAS}$  HIGH terminates the FAST PAGE MODE operation. Returning  $\overline{RAS}$  and  $\overline{CAS}$  HIGH terminates a memory cycle and decreases chip current to a reduced standby level. Also,

the chip is preconditioned for the next cycle during the  $\overline{RAS}$  HIGH time. Memory cell data is retained in its correct state by maintaining power and executing any  $\overline{RAS}$  cycle (READ, WRITE, RAS-ONLY, CAS-BEFORE-RAS, or HIDDEN REFRESH) so that all 1,024 combinations of  $\overline{RAS}$  addresses (A0-A9) are executed at least every 16ms, regardless of sequence. The CAS-BEFORE-RAS cycle will invoke the refresh counter for automatic  $\overline{RAS}$  addressing.

### FUNCTIONAL BLOCK DIAGRAM FAST PAGE MODE



\*NOTE:  $\overline{WE}$  LOW prior to  $\overline{CAS}$  LOW, EW detection circuit output is a HIGH (EARLY-WRITE)  
 $\overline{CAS}$  LOW prior to  $\overline{WE}$  LOW, EW detection circuit output is a LOW (LATE-WRITE)



**TRUTH TABLE**

FUNCTION		RAS	CAS	WE	ADDRESSES		DATA	
					'R	'C	D (Data In)	Q (Data Out)
Standby		H	H→X	X	X	X	Don't Care	High-Z
READ		L	L	H	ROW	COL	Don't Care	Data Out
EARLY-WRITE		L	L	L	ROW	COL	Data In	High-Z
READ-WRITE		L	L	H→L	ROW	COL	Data In	Data Out
FAST-PAGE-MODE READ	1st Cycle	L	H→L	H	ROW	COL	Don't Care	Data Out
	2nd Cycle	L	H→L	H	n/a	COL	Don't Care	Data Out
FAST-PAGE-MODE EARLY-WRITE	1st Cycle	L	H→L	L	ROW	COL	Data In	High-Z
	2nd Cycle	L	H→L	L	n/a	COL	Data In	High-Z
FAST-PAGE-MODE READ-WRITE	1st Cycle	L	H→L	H→L	ROW	COL	Data In	Data Out
	2nd Cycle	L	H→L	H→L	n/a	COL	Data In	Data Out
RAS-ONLY REFRESH		L	H	X	ROW	n/a	Don't Care	High-Z
HIDDEN REFRESH	READ	L→H→L	L	H	ROW	COL	Don't Care	Data Out
	WRITE	L→H→L	L	L	ROW	COL	Data In	High-Z
CAS-BEFORE-RAS REFRESH		H→L	L	H	X	X	Don't Care	High-Z



**ABSOLUTE MAXIMUM RATINGS\***

Voltage on any pin Relative to V <sub>SS</sub> .....	-1.0V to +7.0V
Power Dissipation .....	1W
Short Circuit Output Current .....	50mA
Lead Temperature (Soldering 5 Seconds).....	270°C
Storage Temperature .....	-65°C to +150°C

\*Stresses greater than those listed under "Absolute Maximum Ratings" may cause permanent damage to the device. This is a stress rating only and functional operation of the device at these or any other conditions above those indicated in the operational sections of this specification is not implied. Exposure to absolute maximum rating conditions for extended periods may affect reliability.

**ELECTRICAL CHARACTERISTICS AND RECOMMENDED DC OPERATING CONDITIONS**

(Notes: 1, 6, 7) (-55°C ≤ T<sub>A</sub> ≤ 125°C; V<sub>CC</sub> = 5V ± 10%)

PARAMETER/CONDITION	SYMBOL	MIN	MAX	UNITS	NOTES
Supply Voltage	V <sub>CC</sub>	4.5	5.5	V	
Input High (Logic 1) Voltage, All Inputs	V <sub>IH</sub>	2.4	V <sub>CC</sub> +0.5	V	
Input Low (Logic 0) Voltage, All Inputs	V <sub>IL</sub>	-0.5	0.8	V	
INPUT LEAKAGE CURRENT Any Input 0V ≤ V <sub>IN</sub> ≤ 5.5V (All other pins not under test = 0V)	I <sub>I</sub>	-5	5	μA	V <sub>CC</sub> =5.5V
OUTPUT LEAKAGE CURRENT (Q is Disabled, 0V ≤ V <sub>OUT</sub> ≤ 5.5V) V <sub>CC</sub> =5.5V	I <sub>OZ</sub>	-5	5	μA	
OUTPUT LEVELS	V <sub>OH</sub>	2.4		V	
Output High Voltage (I <sub>OUT</sub> = -5mA)					
Output Low Voltage (I <sub>OUT</sub> = 4.2mA)	V <sub>OL</sub>		0.4	V	

PARAMETER/CONDITION	SYMBOL	MAX				UNITS	NOTES
		-7	-8	-10	-12		
STANDBY CURRENT (TTL) ( $\overline{RAS} = \overline{CAS} = V_{IH}$ )	I <sub>CC1</sub>	2	2	2	2	mA	
STANDBY CURRENT (CMOS) ( $\overline{RAS} = \overline{CAS} = V_{CC} - 0.2V$ ; all other inputs = V <sub>CC</sub> - 0.2V)	I <sub>CC2</sub>	1	1	1	1	mA	
OPERATING CURRENT: Random READ/WRITE Average Power-Supply Current ( $\overline{RAS}, \overline{CAS}$ , Address Cycling: t <sub>RC</sub> = t <sub>RC</sub> (MIN))	I <sub>CC3</sub>	85	75	65	65	mA	3, 4
OPERATING CURRENT: FAST PAGE MODE Average Power-Supply Current ( $RAS = V_{IL}, \overline{CAS}$ , Address Cycling: t <sub>PC</sub> = t <sub>PC</sub> (MIN))	I <sub>CC4</sub>	60	50	45	40	mA	3, 4
REFRESH CURRENT: $\overline{RAS}$ -ONLY Average Power-Supply Current ( $\overline{RAS}$ Cycling, $\overline{CAS} = V_{IH}$ ; t <sub>RC</sub> = t <sub>RC</sub> (MIN))	I <sub>CC5</sub>	85	75	65	65	mA	3
REFRESH CURRENT: $\overline{CAS}$ -BEFORE- $\overline{RAS}$ Average Power-Supply Current ( $\overline{RAS}, \overline{CAS}$ , Address Cycling: t <sub>RC</sub> = t <sub>RC</sub> (MIN))	I <sub>CC6</sub>	85	75	65	65	mA	3, 5

## CAPACITANCE

PARAMETER	SYMBOL	MIN	MAX	UNITS	NOTES
Input Capacitance: A0-A10, D	C <sub>1</sub>		7	pF	2
Input Capacitance: $\overline{\text{RAS}}$ , $\overline{\text{CAS}}$ , WE	C <sub>2</sub>		7	pF	2
Output Capacitance: Q	C <sub>0</sub>		8	pF	2

## ELECTRICAL CHARACTERISTICS AND RECOMMENDED AC OPERATING CONDITIONS

(Notes: 6, 7, 8, 9, 10, 11, 12, 13) (-55°C ≤ T<sub>C</sub> ≤ 125; V<sub>CC</sub> = 5V ± 10%)

AC CHARACTERISTICS		-7		-8		-10		-12			
PARAMETER	SYM	MIN	MAX	MIN	MAX	MIN	MAX	MIN	MAX	UNITS	NOTES
Random READ or WRITE cycle time	<sup>1</sup> RC	130		150		180		220		ns	
READ-WRITE cycle time	<sup>1</sup> RWC	155		175		210		255		ns	
FAST-PAGE-MODE READ or WRITE cycle time	<sup>1</sup> PC	40		45		55		70		ns	
FAST-PAGE-MODE READ-WRITE cycle time	<sup>1</sup> PRWC	65		70		85		140		ns	
Access time from $\overline{\text{RAS}}$	<sup>1</sup> RAC		70		80		90		120	ns	14
Access time from $\overline{\text{CAS}}$	<sup>1</sup> CAC		20		20		25		30	ns	15
Access time from column address	<sup>1</sup> AA		35		40		45		60	ns	
Access time from $\overline{\text{CAS}}$ precharge	<sup>1</sup> CPA		35		40		45		60	ns	
$\overline{\text{RAS}}$ pulse width	<sup>1</sup> RAS	70	10,000	80	10,000	100	10,000	120	100,000	ns	
$\overline{\text{RAS}}$ pulse width (FAST PAGE MODE)	<sup>1</sup> RASP	70	100,000	80	100,000	100	100,000	120	100,000	ns	
$\overline{\text{RAS}}$ hold time	<sup>1</sup> RSH	20		20		25		30		ns	
$\overline{\text{RAS}}$ precharge time	<sup>1</sup> RP	50		60		70		90		ns	
$\overline{\text{CAS}}$ pulse width	<sup>1</sup> CAS	20	10,000	20	10,000	25	10,000	30	10,000	ns	
$\overline{\text{CAS}}$ hold time	<sup>1</sup> CSH	70		80		100		120		ns	
$\overline{\text{CAS}}$ precharge time	<sup>1</sup> CPN	10		10		12		15		ns	16
$\overline{\text{CAS}}$ precharge time (FAST PAGE MODE)	<sup>1</sup> CP	10		10		12		15		ns	
$\overline{\text{RAS}}$ to $\overline{\text{CAS}}$ delay time	<sup>1</sup> RCD	20	50	20	60	25	75	25	90	ns	17
$\overline{\text{CAS}}$ to $\overline{\text{RAS}}$ precharge time	<sup>1</sup> CRP	5		5		5		10		ns	
Row address setup time	<sup>1</sup> ASR	0		0		0		0		ns	
Row address hold time	<sup>1</sup> RAH	10		10		15		15		ns	
$\overline{\text{RAS}}$ to column address delay time	<sup>1</sup> RAD	15	35	15	40	20	50	20	60	ns	18
Column address setup time	<sup>1</sup> ASC	0		0		0		0		ns	
Column address hold time	<sup>1</sup> CAH	15		20		25		25		ns	
Column address hold time (referenced to $\overline{\text{RAS}}$ )	<sup>1</sup> AR	50		60		70		85		ns	
Column address to $\overline{\text{RAS}}$ lead time	<sup>1</sup> RAL	35		40		50		60		ns	
Read command setup time	<sup>1</sup> RCS	0		0		0		0		ns	
Read command hold time (referenced to $\overline{\text{CAS}}$ )	<sup>1</sup> RCH	0		0		0		0		ns	19
Read command hold time (referenced to $\overline{\text{RAS}}$ )	<sup>1</sup> RRH	0		0		0		0		ns	19
$\overline{\text{CAS}}$ to output in Low-Z	<sup>1</sup> CLZ	0		0		0		0		ns	
Output buffer turn-off delay	<sup>1</sup> OFF	0	20	0	20	0	20	0	20	ns	20
WE command setup time	<sup>1</sup> WCS	0		0		0		0		ns	21

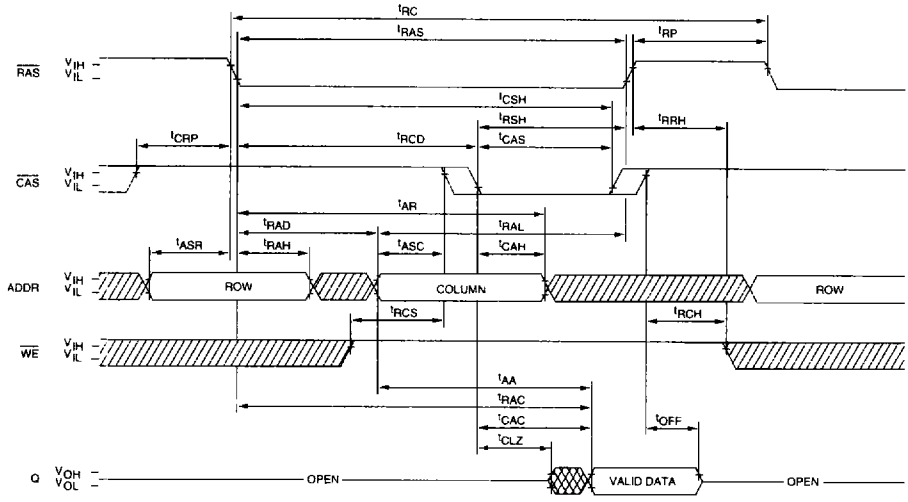
**ELECTRICAL CHARACTERISTICS AND RECOMMENDED AC OPERATING CONDITIONS**(Notes: 6, 7, 8, 9, 10, 11, 12, 13) (-55°C ≤ T<sub>C</sub> ≤ 125; V<sub>CC</sub> = 5V ± 10%)

AC CHARACTERISTICS		-7		-8		-10		-12			
PARAMETER	SYM	MIN	MAX	MIN	MAX	MIN	MAX	MIN	MAX	UNITS	NOTES
Write command hold time	<sup>1</sup> WCH	15		15		20		25		ns	
Write command hold time (referenced to $\overline{\text{RAS}}$ )	<sup>1</sup> WCR	50		60		70		85		ns	
Write command pulse width	<sup>1</sup> WP	15		15		20		25		ns	
Write command to $\overline{\text{RAS}}$ lead time	<sup>1</sup> RWL	20		20		25		30		ns	
Write command to $\overline{\text{CAS}}$ lead time	<sup>1</sup> CWL	20		20		25		30		ns	
Data-in setup time	<sup>1</sup> DS	0		0		0		0		ns	22
Data-in hold time	<sup>1</sup> DH	12		15		18		25		ns	22
Data-in hold time (referenced to $\overline{\text{RAS}}$ )	<sup>1</sup> DHR	50		60		70		90		ns	
$\overline{\text{RAS}}$ to $\overline{\text{WE}}$ delay time	<sup>1</sup> RWD	70		80		100		120		ns	21
Column address to $\overline{\text{WE}}$ delay time	<sup>1</sup> AWD	35		40		50		60		ns	21
$\overline{\text{CAS}}$ to $\overline{\text{WE}}$ delay time	<sup>1</sup> CWD	20		20		25		30		ns	21
Transition time (rise or fall)	<sup>1</sup> T	3	50	3	50	3	50	3	50	ns	
Refresh period (1,024 cycles)	<sup>1</sup> REF		16		16		16		16	ms	
$\overline{\text{RAS}}$ to $\overline{\text{CAS}}$ precharge time	<sup>1</sup> RPC	0		0		0		0		ns	
$\overline{\text{CAS}}$ setup time ( $\overline{\text{CAS}}$ -BEFORE- $\overline{\text{RAS}}$ REFRESH)	<sup>1</sup> CSR	10		10		10		10		ns	5
$\overline{\text{CAS}}$ hold time ( $\overline{\text{CAS}}$ -BEFORE- $\overline{\text{RAS}}$ REFRESH)	<sup>1</sup> CHR	10		15		20		25		ns	5
$\overline{\text{WE}}$ hold time ( $\overline{\text{CAS}}$ -BEFORE- $\overline{\text{RAS}}$ REFRESH)	<sup>1</sup> WRH	10		10		10		10		ns	24, 25
$\overline{\text{WE}}$ setup time ( $\overline{\text{CAS}}$ -BEFORE- $\overline{\text{RAS}}$ REFRESH)	<sup>1</sup> WRP	10		10		10		10		ns	24, 25
$\overline{\text{WE}}$ hold time (WCBR test cycle)	<sup>1</sup> WTH	10		10		10		10		ns	24, 25
$\overline{\text{WE}}$ setup time (WCBR test cycle)	<sup>1</sup> WTS	10		10		10		10		ns	24, 25

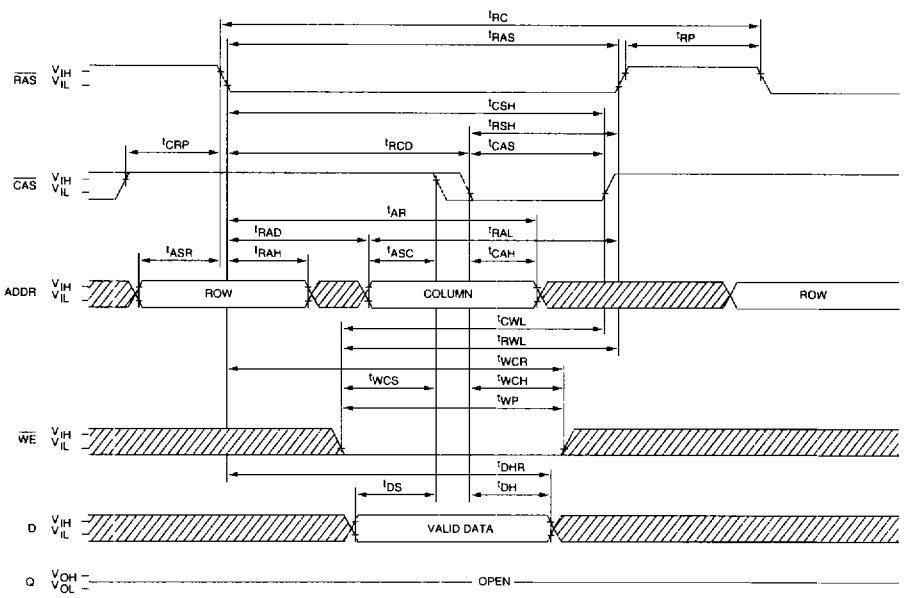
**NOTES**

1. All voltages referenced to  $V_{SS}$ .
2. This parameter is sampled, not 100% tested.  
Capacitance is measured with  $V_{CC} = 5V$ ,  $f = 1\text{ MHz}$  at less than  $50\text{mV}_{RMS}$ ,  $T_A = 25^\circ\text{C} \pm 3^\circ\text{C}$ ,  $V_{BIAS} = 2.4V$  applied to each input and output individually with remaining inputs and outputs open.
3.  $I_{CC}$  is dependent on cycle rates.
4.  $I_{CC}$  is dependent on output loading and cycle rates. Specified values are obtained with minimum cycle time and the output open.
5. Enables on-chip refresh and address counters.
6. The minimum specifications are used only to indicate cycle time at which proper operation over the full temperature range ( $-55^\circ\text{C} \leq T_A \leq 125^\circ\text{C}$ ) is assured.
7. An initial pause of  $100\mu\text{s}$  is required after power-up followed by eight  $\overline{RAS}$  refresh cycles ( $\overline{RAS}$ -ONLY or CBR with  $\overline{WE}$  HIGH) before proper device operation is assured. The eight  $\overline{RAS}$  cycle wake-up should be repeated any time the 16ms refresh requirement is exceeded.
8. AC characteristics assume  $t_T = 5\text{ns}$ .
9.  $V_{IH}$  (MIN) and  $V_{IL}$  (MAX) are reference levels for measuring timing of input signals. Transition times are measured between  $V_{IH}$  and  $V_{IL}$  (or between  $V_{IL}$  and  $V_{IH}$ ).
10. In addition to meeting the transition rate specification, all input signals must transit between  $V_{IH}$  and  $V_{IL}$  (or between  $V_{IL}$  and  $V_{IH}$ ) in a monotonic manner.
11. If  $\overline{CAS} = V_{IH}$ , data output is High-Z.
12. If  $\overline{CAS} = V_{IL}$ , data output may contain data from the last valid READ cycle.
13. Measured with a load equivalent to 2 TTL gates and  $100\text{pF}$ .
14. Assumes that  $t_{RCD} < t_{RCD}(\text{MAX})$ . If  $t_{RCD}$  is greater than the maximum recommended value shown in this table,  $t_{RAC}$  will increase by the amount that  $t_{RCD}$  exceeds the value shown.
15. Assumes that  $t_{RCD} \geq t_{RCD}(\text{MAX})$ .
16. If  $\overline{CAS}$  is LOW at the falling edge of  $\overline{RAS}$ , Q will be maintained from the previous cycle. To initiate a new cycle and clear the data-out buffer,  $\overline{CAS}$  must be pulsed HIGH for  $t_{CPN}$ .
17. Operation within the  $t_{RCD}(\text{MAX})$  limit ensures that  $t_{RAC}(\text{MAX})$  can be met.  $t_{RCD}(\text{MAX})$  is specified as a reference point only; if  $t_{RCD}$  is greater than the specified  $t_{RCD}(\text{MAX})$  limit, then access time is controlled exclusively by  $t_{CAC}$ .
18. Operation within the  $t_{RAD}(\text{MAX})$  limit ensures that  $t_{RCD}(\text{MAX})$  can be met.  $t_{RAD}(\text{MAX})$  is specified as a reference point only; if  $t_{RAD}$  is greater than the specified  $t_{RAD}(\text{MAX})$  limit, then access time is controlled exclusively by  $t_{AA}$ .
19. Either  $t_{RCH}$  or  $t_{RRH}$  must be satisfied for a READ cycle.
20.  $t_{OFF}(\text{MAX})$  defines the time at which the output achieves the open circuit condition and is not referenced to  $V_{OH}$  or  $V_{OL}$ .
21.  $t_{WCS}$ ,  $t_{RWD}$ ,  $t_{AWD}$  and  $t_{CWD}$  are restrictive operating parameters in LATE WRITE, READ-WRITE and READ-MODIFY-WRITE cycles only. If  $t_{WCS} \geq t_{WCS}(\text{MIN})$ , the cycle is an EARLY-WRITE cycle and the data output will remain an open circuit throughout the entire cycle. If  $t_{RWD} \geq t_{RWD}(\text{MIN})$ ,  $t_{AWD} \geq t_{AWD}(\text{MIN})$  and  $t_{CWD} \geq t_{CWD}(\text{MIN})$ , the cycle is a READ-WRITE and the data output will contain data read from the selected cell. If neither of the above conditions are met, the cycle is a LATE-WRITE and the state of Q is indeterminate (at access time and until  $\overline{CAS}$  goes back to  $V_{IH}$ ).
22. These parameters are referenced to  $\overline{CAS}$  leading edge in EARLY-WRITE cycles and  $\overline{WE}$  leading edge in LATE-WRITE or READ-WRITE cycles.
23. A HIDDEN REFRESH may also be performed after a WRITE cycle. In this case  $\overline{WE} = \text{LOW}$ .
24.  $t_{WTS}$  and  $t_{WTH}$  are set up and hold specifications for the  $\overline{WE}$  pin being held LOW to enable the JEDEC test mode (with CBR timing constraints). These two parameters are the inverts of  $t_{WRP}$  and  $t_{WRH}$  in the CBR REFRESH cycle.
25. JEDEC test mode only.

READ CYCLE

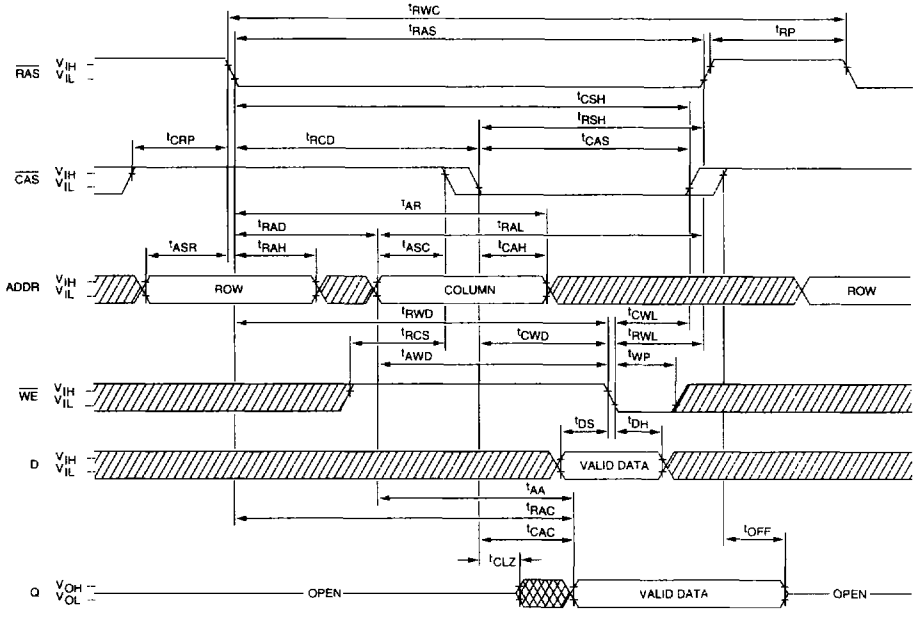


EARLY-WRITE CYCLE

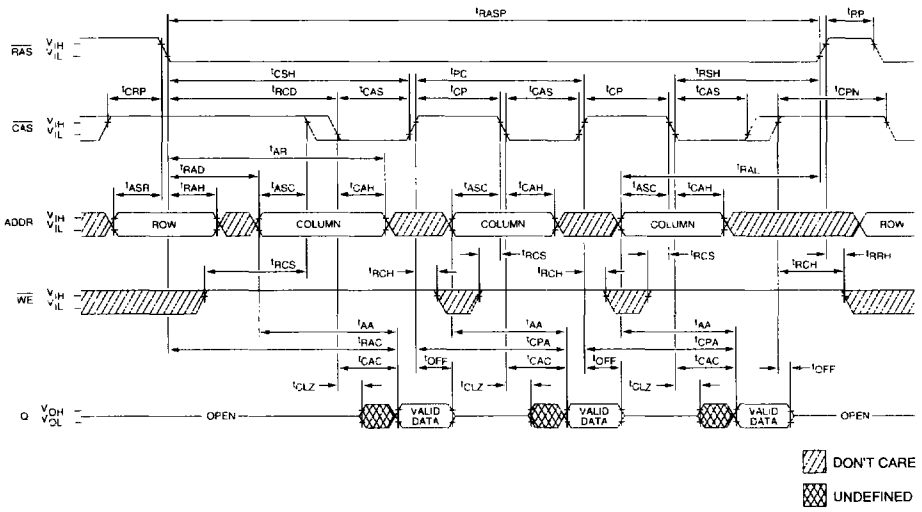


DON'T CARE  
 UNDEFINED

### READ-WRITE CYCLE (LATE-WRITE and READ-MODIFY-WRITE CYCLES)



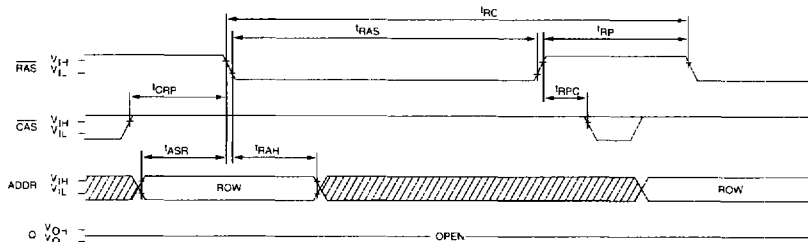
### FAST-PAGE-MODE READ CYCLE



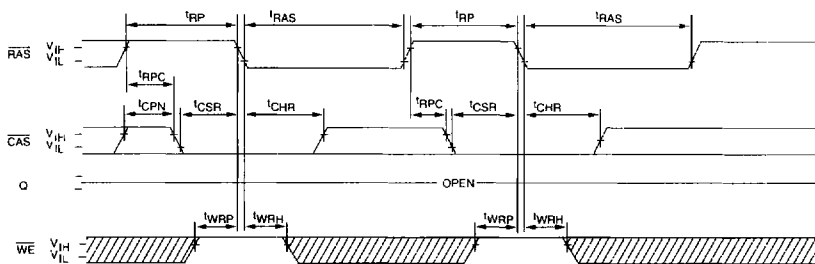




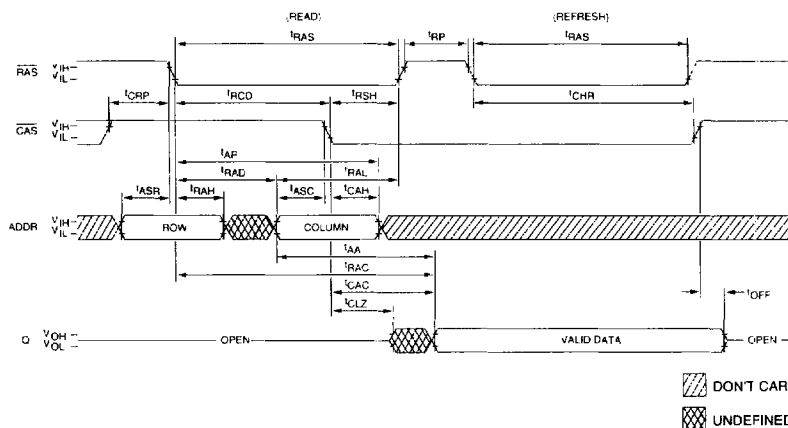
### RAS-ONLY REFRESH CYCLE (ADDR = A0-A9; A10 and WE = DON'T CARE)



### CAS-BEFORE-RAS REFRESH CYCLE (A0-A10 = DON'T CARE)



### HIDDEN REFRESH CYCLE <sup>23</sup> (WE = HIGH)



### 4 MEG POWER-UP AND REFRESH CONSTRAINTS

The EIA/JEDEC 4 Meg DRAM introduces two potential incompatibilities compared to the previous generation 1 Meg DRAM. The incompatibilities involve refresh and power-up. Understanding these incompatibilities and providing for them will offer the designer and system user greater compatibility between the 1 Meg and 4 Meg.

### REFRESH

The most commonly used refresh mode of the 1 Meg is the CBR (CAS-BEFORE-RAS) REFRESH cycle. The CBR for the 1 Meg specifies the  $\overline{WE}$  pin as a "don't care." The 4 Meg, on the other hand, specifies the CBR REFRESH mode with the  $\overline{WE}$  pin held at a voltage HIGH level.

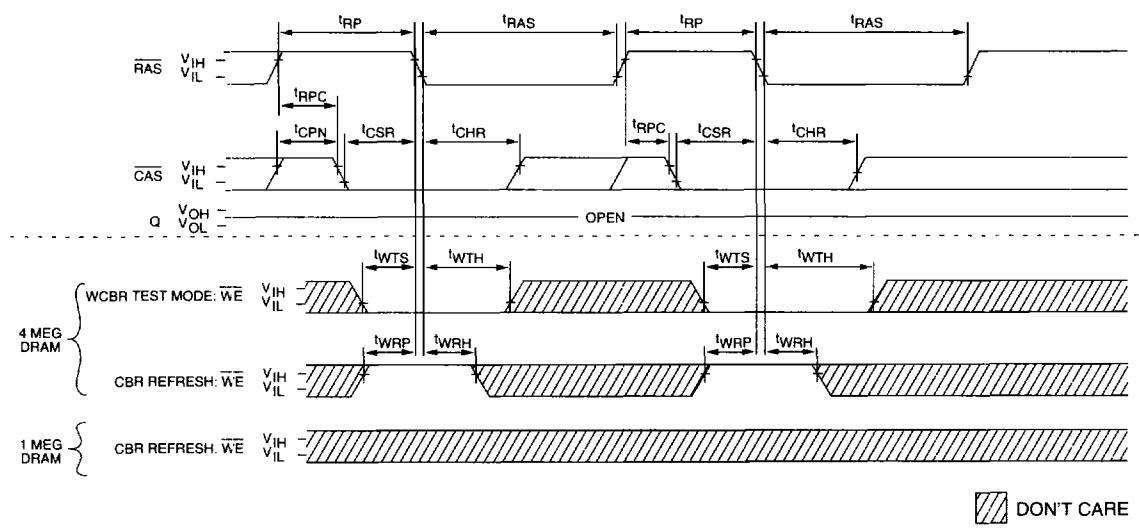
A CBR cycle with  $\overline{WE}$  LOW will put the 4 Meg into the JEDEC specified test mode (WCBR).

### POWER-UP

The 4 Meg JEDEC test mode constraint may introduce another problem. The 1 Meg POWER-UP cycle requires a 100 $\mu$ s delay followed by any eight  $\overline{RAS}$  cycles. The 4 Meg POWER-UP is more restrictive in that eight  $\overline{RAS}$ -ONLY or CBR REFRESH ( $\overline{WE}$  held HIGH) cycles must be used. The restriction is needed since the 4 Meg may power-up in the JEDEC specified test mode and must exit out of the test mode. The only way to exit the 4 Meg JEDEC test mode is with either a  $\overline{RAS}$ -ONLY or a CBR REFRESH cycle ( $\overline{WE}$  held HIGH).

### SUMMARY

1. The 1 Meg CBR REFRESH allows the  $\overline{WE}$  pin to be "don't care" while the 4 Meg CBR requires  $\overline{WE}$  to be HIGH.
2. The eight  $\overline{RAS}$  wake-up cycles on the 1 Meg may be any valid  $\overline{RAS}$  cycle while the 4 Meg may only use  $\overline{RAS}$ -ONLY or CBR REFRESH cycles ( $\overline{WE}$  held HIGH).



### COMPARISON OF 4 MEG TEST MODE AND WCBR TO 1 MEG CBR

**ELECTRICAL TEST REQUIREMENTS**

MIL-STD-883 TEST REQUIREMENTS	SUBGROUPS (per Method 5005, Table I)
INTERIM ELECTRICAL (PRE-BURN-IN) TEST PARAMETERS (Method 5004)	2, 8A, 10
FINAL ELECTRICAL TEST PARAMETERS (Method 5004)	1*, 2, 3, 7*, 8, 9, 10, 11
GROUP A TEST REQUIREMENTS (Method 5005)	1, 2, 3, 4**, 7, 8, 9, 10, 11
GROUP C AND D END-POINT ELECTRICAL PARAMETERS (Method 5005)	1, 2, 3, 7, 8, 9, 10, 11

\* PDA applies to subgroups 1 and 7.

\*\* Subgroup 4 shall be measured only for initial qualification and after process or design changes, which may affect input or output capacitance.