



Integrated Device Technology, Inc.

NICSTAR™ Reference Design 25Mbps ATM Network Interface Card (NIC) with PCI interface and UTP3

ADVANCED INFORMATION IDT77903

FEATURES:

- Complete 25Mbps PCI-bus ATM Network Interface Card
- Complete reference design including schematics, bill of materials, and data bases needed for production.
- Supports 33MHz, 32-bit PCI 2.0 bus
- 25Mbps UTP-3 PHY interface
- Capable of supporting 1024 receive connections
- Supports tens of thousands of transmit connections
- E² PROM layout for Sub-vendor ID
- Small Form Factor: 2 x 6 inches
- 2 LEDs: Transmit and Receive
- Software evaluation program available called SARWIN™ that runs on Windows 3.1™
- Third Party Software available:
- Windows NT™ Drivers and other Windows Drivers
Telogy Networks
21 Firstfield Road, Gaithersburg, Maryland 20878
(301) 527-2717 (phone) (301) 417-0324 (FAX)
wsimmelink@telogy.com
- Novel Netware™ Drivers
Harris & Jefferies
888 Washington Street, Dedham, Massachusetts, 02026
(617) 329-3200 (phone) (617) 329-4148 (FAX)
bobz@hjinc.com

DESCRIPTION:

The IDT77903 is the first reference design for full, 25Mbps ATM Network Interface Card (NIC) from IDT. The IDT NIC card reference designs and evaluation cards provide the fastest way to for OEMs to get their ATM software and hardware up and running.

IDT will provide, upon request, all documentation, drawings, parts lists, and data bases required to manufacture this card. IDT also has the board level assembly capabilities to provide ready to "plug and play" NICs at competitive prices.

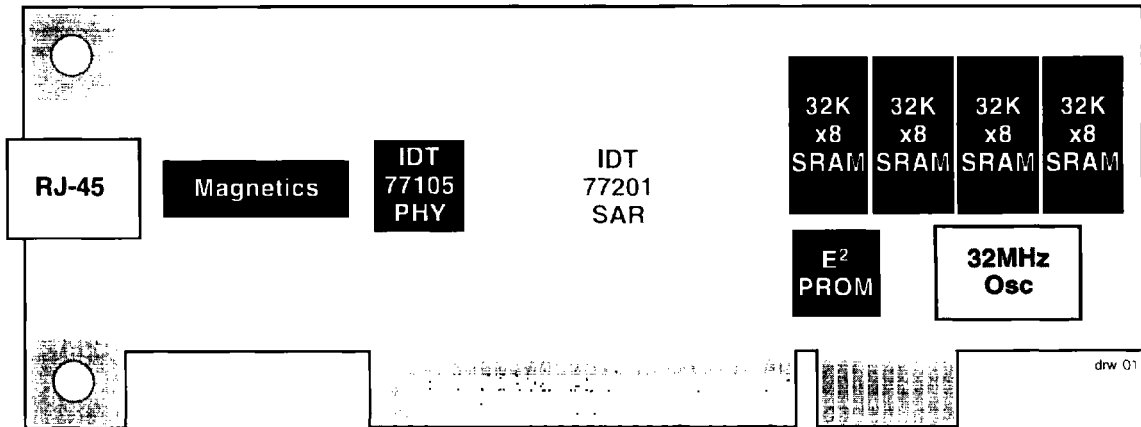
Together with your company designed software drivers, or the third party software drivers available, 25Mbps ATM is here today.

The heart of the board is the IDT77201 NICSTAR which is an ATM Segmentation And Reassembly (SAR) controller. The physical interface is provided by the IDT77105 PHY that provides both the Transmission Convergence (TC) and Physical Media Dependent (PMD) layers in one device.

The IDT77903 supports Unshielded Twisted Pair, Category 3 (UTP-3) cabling. The IDT77903 features complete PCI 2.0-bus ATM NIC functionality, plugging directly into PCI bus expansion slots.

The IDT77903 can be used in conjunction with the IDT provided "SARWIN" program. SARWIN allows access into SAR, PHY, host memory, local SRAM on the NIC card and each register in each device. You are able to configure each component on the card and setup the host for transmission of and receiving cells. It is an excellent evaluation tool for the NIC and each of its components.

77903 BOARD DIAGRAM

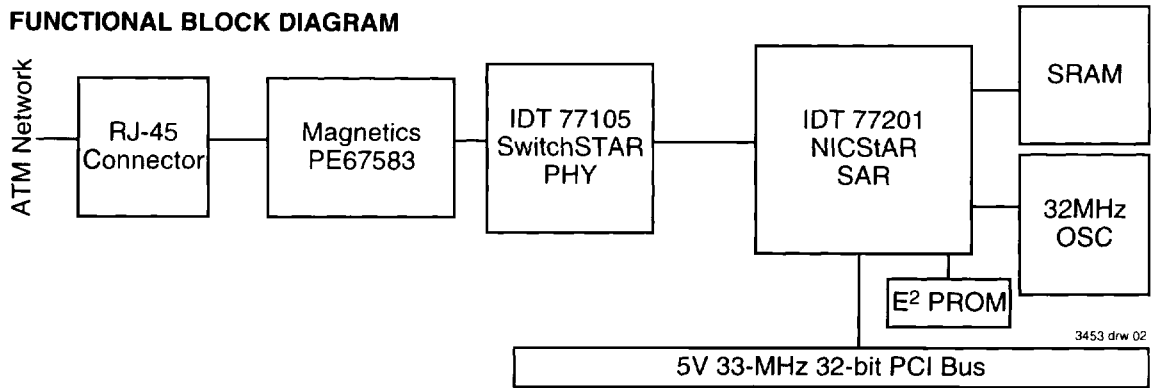


The IDT logo is a registered trademark and NICSTAR, UTOPIA and SARWIN are trademarks of Integrated Device Technology, Inc. Windows, Windows 3.1 and Windows NT are trademarks of Microsoft Corporation, Novel Netware is a trademark of Novel. Power PC is a trademark of IBM, Inc., Macintosh is a trademark of Apple Computer, Inc., Alpha is a trademark of Digital Equipment Corp., Suni-lite is a trademark of PMC-Sierra, MIPS is a trademark of Silicon Graphics

COMMERCIAL TEMPERATURE RANGE

JANUARY 1996

FUNCTIONAL BLOCK DIAGRAM



ORDERING INFORMATION

IDT	NNNNN	A	NNN	A	A	
	Device Type	Power	Speed	Package	Process/ Temp. Range	
					Blank	Commercial
					Blank	
					Blank	
					Blank	
					77903	25Mb/s ATM Network Interface Card (NIC) with PCI connection

3453 drw 03

ADVANCE INFORMATION DATASHEET: DEFINITION

"Advance Information" datasheets contain initial descriptions, subject to change, for products which are in development, including features and block diagrams.

Datasheet Document History

1/11/96: Initial Draft