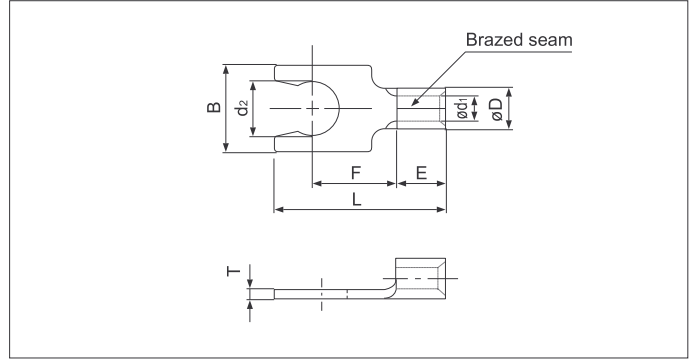


Solderless terminals

# LOCKING SPADE TONGUE (LS type) *Non-insulated*



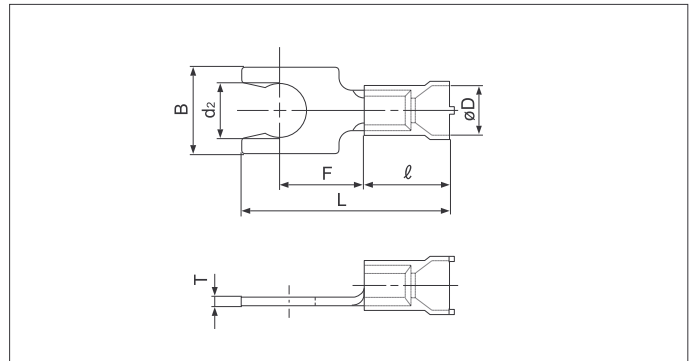
File No.: E42024

Applicable Wire AWG#(mm <sup>2</sup> )	Stud size		Part No.	Standard	Dimensions mm (in.)								Tool No.	Qty/box
	American	Metric			d <sub>2</sub>	B	L	F	E	øD	ød <sub>1</sub>	T		
22 to 16 (0.25 to 1.65)	6	3.5	<b>1.25-3.5LS</b>		3.7 (.146)	6.4 (.252)	13.6 (.535)	5.9 (.232)	4.8 (.189)	3.3 (.130)	1.9 (.075)	0.7 (.028)	YHT-2210 YA-1 YA-2 YA-4 BCT-0514	1,000
	8	4	<b>1.25-4LS</b>		4.3 (.169)	7.1 (.280)	16.0 (.630)	7.2 (.283)						
	10	5	<b>1.25-5LS</b>		5.3 (.209)	8.4 (.331)	17.0 (.669)	8.2 (.323)						
16 to 14 (1.04 to 2.63)	6	3.5	<b>2-3.5LS</b>		3.7 (.146)	6.4 (.252)	14.0 (.551)	6.3 (.248)	4.8 (.189)	4.0 (.157)	2.3 (.091)	0.8 (.031)	YHT-2210 YA-1 YA-2 YA-4 BCT-0514	1,000
	8	4	<b>2-4LS</b>		4.3 (.169)	7.1 (.280)	16.0 (.630)	7.4 (.291)						
	10	5	<b>2-5LS</b>		5.3 (.209)	8.4 (.331)	17.0 (.669)	8.4 (.331)						
12 to 10 (2.63 to 6.64)	6	3.5	<b>5.5-3.5LS</b>		3.7 (.146)	7.9 (.311)	18.2 (.717)	7.1 (.280)	6.8 (.268)	5.5 (.217)	3.6 (.142)	0.9 (.035)	YHT-2210 YA-1 YA-2 YA-4 BCT-0514	500
	8	4	<b>5.5-4LS</b>		4.3 (.169)	7.9 (.311)	18.2 (.717)	7.1 (.280)						
	10	5	<b>5.5-5LS</b>		5.3 (.209)	8.4 (.331)	18.2 (.717)	7.1 (.280)						

Note:1) The part numbers indicated in the above table are for products with a braze seam.  
2) Delivery lead times may vary depending on the product. Contact JST for details.

Solderless terminals

# LOCKING SPADE TONGUE (LS type) *Vinyl-insulated (funnel-entry)*



File No.: E42024

Applicable Wire AWG#(mm <sup>2</sup> )	Stud size		Part No.	Standard	Dimensions mm (in.)								Color	Tool No.	Qty/box
	American	Metric			d <sub>2</sub>	B	L	F	l	øD	T				
22 to 16 *(0.25 to 1.65)	6	3.5	<b>FVL1.25-3.5LS</b>		3.7 (.146)	6.4 (.252)	18.2 (.717)	5.9 (.232)	9.4 (.370)	4.0 (.157)	0.7 (.028)	Red	YNT-2216 YA-1 YA-2 YA-4 BCT-0514	1,000	
	8	4	<b>FVL1.25-4LS</b>		4.3 (.169)	7.1 (.280)	20.6 (.811)	7.2 (.283)							
	10	5	<b>FVL1.25-5LS</b>		5.3 (.209)	8.4 (.331)	21.6 (.850)	8.2 (.323)							
16 to 14 (1.04 to 2.63)	6	3.5	<b>FVL2-3.5LS</b>		3.7 (.146)	6.4 (.252)	18.6 (.732)	6.3 (.248)	9.4 (.370)	4.5 (.177)	0.8 (.031)	Blue	YNT-1614 YA-1 YA-2 YA-4 BCT-0514	1,000	
	8	4	<b>FVL2-4LS</b>		4.3 (.169)	7.1 (.280)	20.6 (.811)	7.4 (.291)							
	10	5	<b>FVL2-5LS</b>		5.3 (.209)	8.4 (.331)	21.6 (.850)	8.4 (.331)							
12 to 10 (2.63 to 6.64)	6	3.5	<b>FVL5.5-3.5LS</b>		3.7 (.146)	7.9 (.311)	25.2 (.992)	7.1 (.280)	13.8 (.543)	6.8 (.268)	0.9 (.035)	Yellow	YNT-1210S YA-4 BCT-0514	500	
	8	4	<b>FVL5.5-4LS</b>		4.3 (.169)	7.9 (.311)	25.2 (.992)	7.1 (.280)							
	10	5	<b>FVL5.5-5LS</b>		5.3 (.209)	8.4 (.331)	25.2 (.992)	7.1 (.280)							

Note:1) The part numbers indicated in the above table are for products with a braze seam.  
2) \*The crimping will be more secure if the total cross-sectional area of the wire is at least 0.5 mm<sup>2</sup>.  
Examples: If the cross-sectional area of the wire is 0.3mm<sup>2</sup>, fold the wire in two when crimping the terminal.  
If the cross-sectional area of the wire is 0.5mm<sup>2</sup>, crimp the terminal onto the wire as it is.  
3) Delivery lead times may vary depending on the product. Contact JST for details.