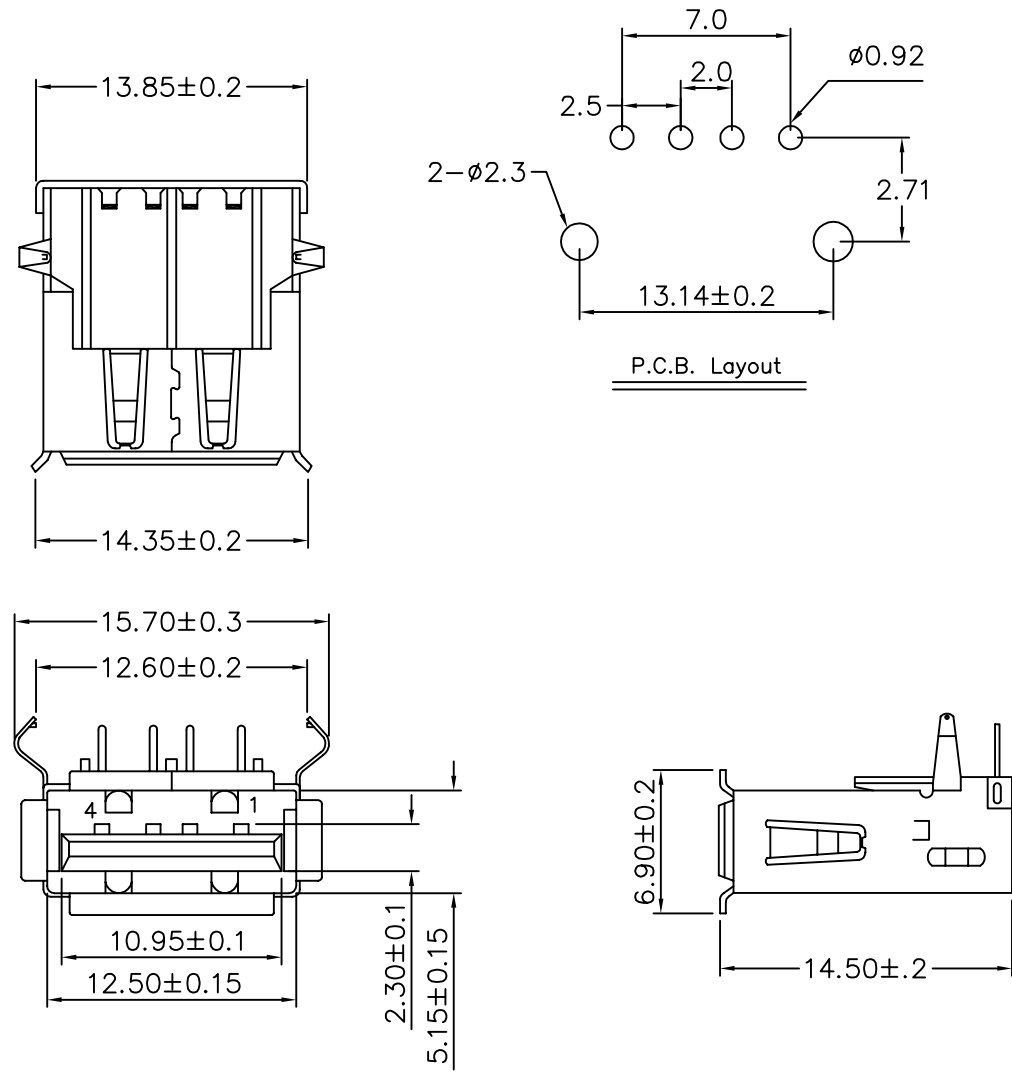


SPECIFICATIONS

Contact Current Rating: 1A
 Dielectric Withstanding Voltage: 500V AC R.M.S
 Insulation Resistance: 500Megohms minimum At DC 500V
 Contact Resistance: 30Milliohms Max.
 Operating Temperature: -55°C To +105°C
 Insulator: PBT, UL94V-0 Rated
 Contact: Brass or Phosphor Bronze,
 Gold Plated Over Nickel
 Shell: Brass, Tin Plated



AUK A NUMBER OF AUK GROUP
太聯事業股份有限公司
 AUK CONTRACTORS CO., LTD.

DRAWING No.
 USB1X04SR

APPROVED BY MEI
 CHECKED BY RAN
 DRAWING BY HZF

UNLESS OTHERWISE SPECIFIED TOLERANCES ARE
 .X ± 0.38
 .XX ± 0.25
 ANG.

SCALE NONE

REV. A

UNIT mm

AREA REVISIONS CHK DATE