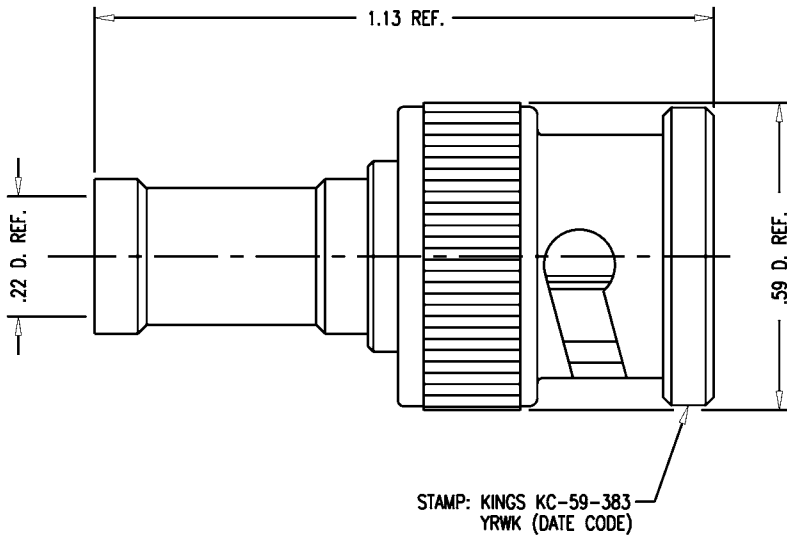


SD

KC-59-383



## NOTES:

1. FOR USE WITH RG-55,142 223/U CABLE.
2. FOR CABLING INSTRUCTIONS SEE C-472.
3. FOR CRIMPING USE DIE KTH-2061.
4. INTERFACE PER MIL-STD-348, FIG. 301-1.
5. MARK PACKAGE: KINGS KC-59-383  
YRWK (DATE CODE)
6. MATERIALS:
  - INSULATOR: TEFLON, ASTM-D-4894
  - K-GRIIP SLEEVE: COM. BRONZE, ASTM-B-135
  - GASKET: SILICONE RUBBER, ZZ-R-765
  - OUTER CONTACT } BER. COPPER, ASTM-B-196
  - SPRING WASHER }
  - ALL OTHER METAL PARTS: BRASS, ASTM-B16
7. FINISHES:
  - CENTER CONTACT: GOLD PLATE, PER MIL-G-45204
  - SPRING WASHER: SILVER PLATE, PER QQ-S-365
  - ALL OTHER METAL PARTS: KINGS TARNISH RESISTANT NICKEL FINISH (TR-5)
8. ELECTRICAL CHARACTERISTICS:
  - NOMINAL IMPEDANCE: 50 OHMS
  - WORKING VOLTAGE: 500 VRMS
  - FREQUENCY RANGE: DC TO 4 GHz.

## REVISIONS

ISSUE	CHANGES
5	CN 37113 D REDRAWN KH 09/12/96
6	CN 37522 A KH 01/09/98
7	CN 37795 E REDRAWN TML 03/10/99

KAM6781

SCALE 4:1

APPROX SURFACE AREA

USED ON

REF:

PLUG, BNC

DRAWN	KH	DATE	09/12/96
DESIGN	MJB	DATE	09/13/96
APPR.		DATE	

**KINGS**  
ELECTRONICS CO., INC.  
TUCKAHOE, NEW YORK 10707

KC-59-383

SD