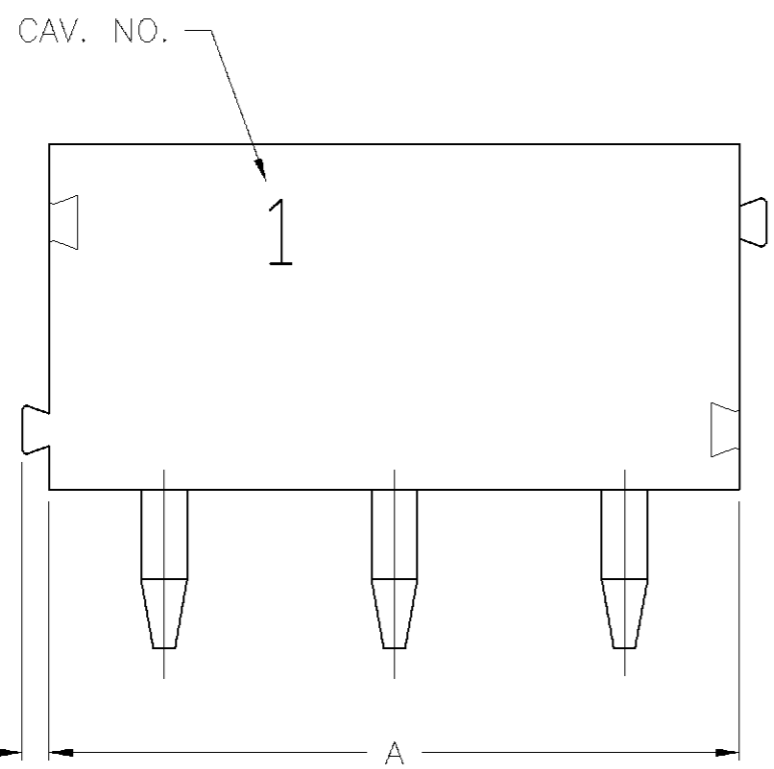
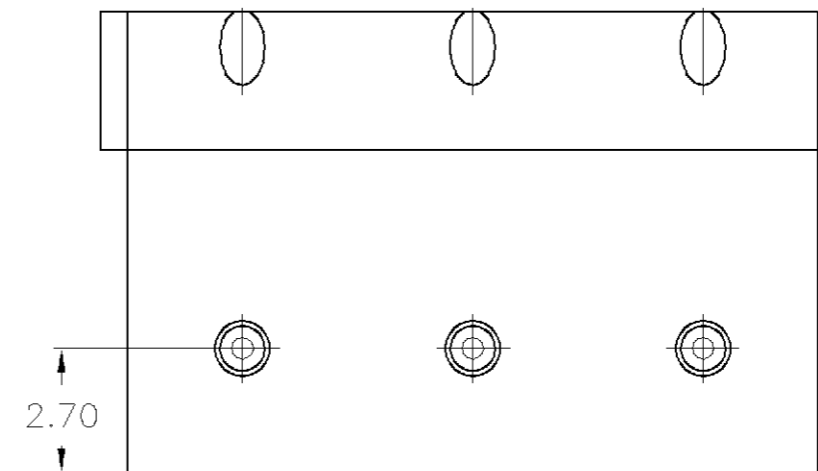
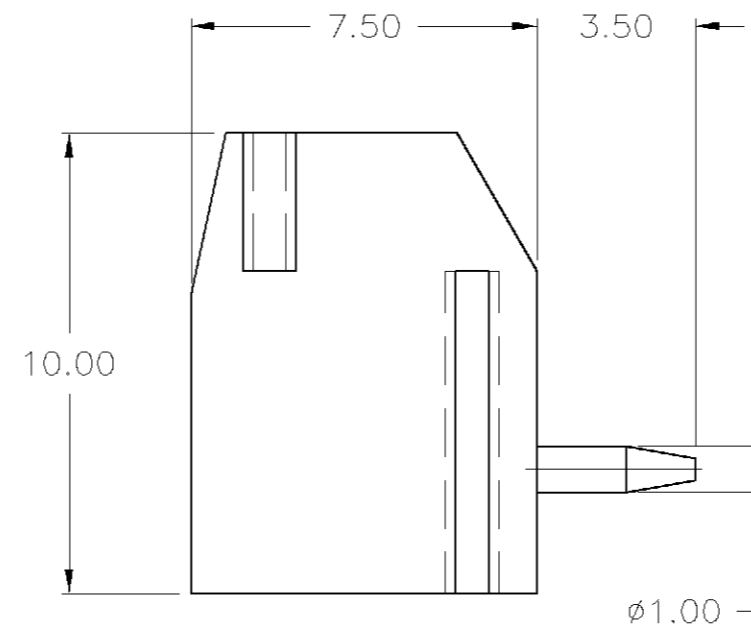
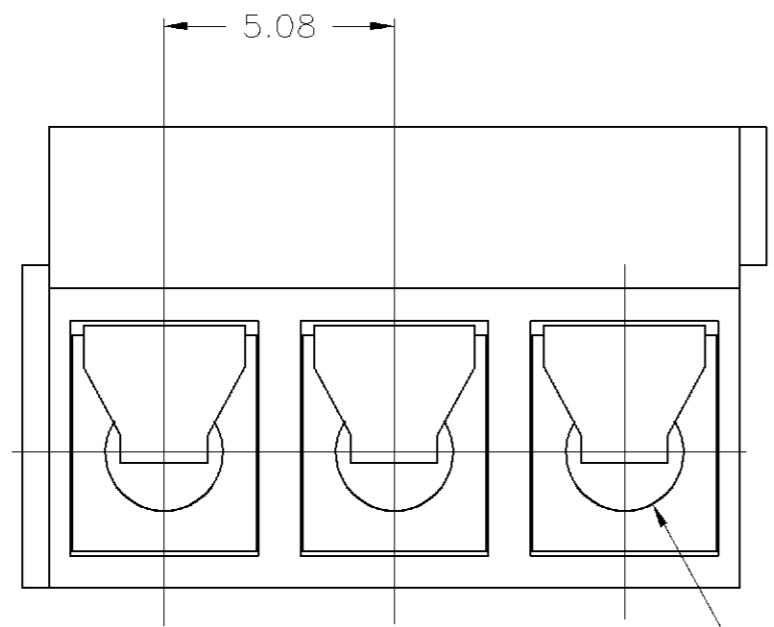
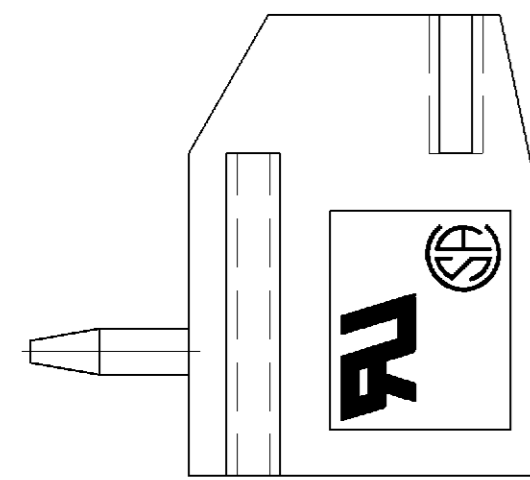
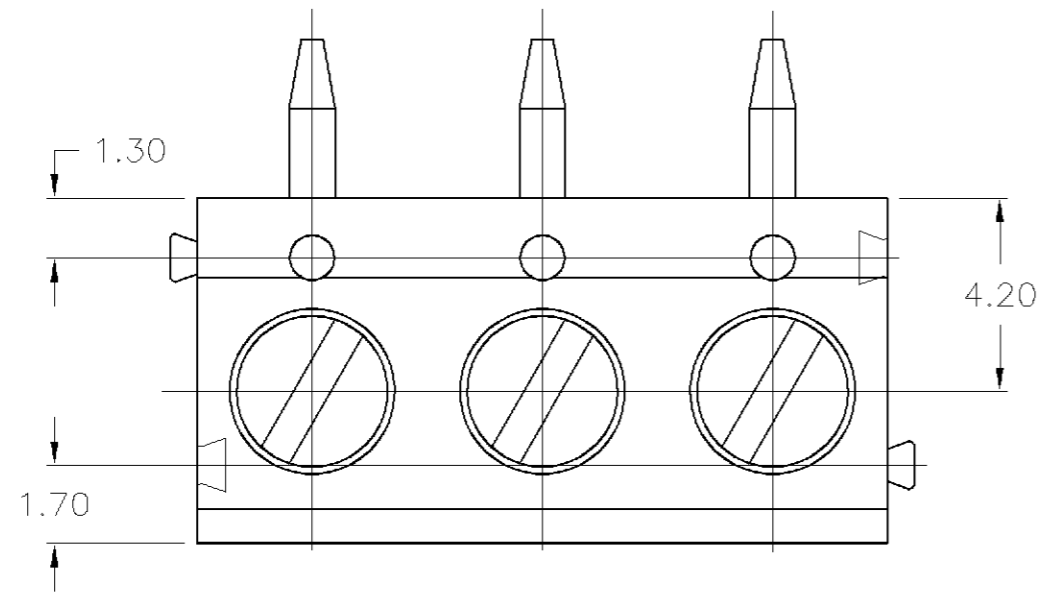


THIS DRAWING IS UNPUBLISHED. RELEASED FOR PUBLICATION  
 © COPYRIGHT BY TYCO ELECTRONICS CORPORATION. ALL RIGHTS RESERVED.

Loc		DIST		REVISIONS			
P	LTR	DESCRIPTION		DATE	DWN	APVD	
	B	REVISED PER 0G3B-0233-01		6/12/02	SS	DAB	

NOTES:

1. ALL DIMENSIONS ARE IN MM.
2. RECOMMENDED PC-BOARD-HOLES DIAMETER:  $\phi 1.20\text{mm}$  to  $1.40\text{mm}$ .
3. BUCHANAN LOGO TO APPEAR ON HOUSING LOCATION OPTIONAL WHERE SPACE PERMITS.



796421-3 AS SHOWN

121.92	24	2-796421-4
116.84	23	2-796421-3
111.76	22	2-796421-2
106.68	21	2-796421-1
101.60	20	2-796421-0
96.52	19	1-796421-9
91.44	18	1-796421-8
86.36	17	1-796421-7
81.28	16	1-796421-6
76.20	15	1-796421-5
71.12	14	1-796421-4
66.04	13	1-796421-3
60.96	12	1-796421-2
55.88	11	1-796421-1
50.80	10	1-796421-0
45.72	9	796421-9
40.64	8	796421-8
35.56	7	796421-7
30.48	6	796421-6
25.40	5	796421-5
20.32	4	796421-4
15.24	3	796421-3
10.16	2	796421-2
DIM. A	NO. OF POS.	PART NUMBER

THIS DRAWING IS A CONTROLLED DOCUMENT.		DWN	26JAN01	<b>BUCHANAN</b> Tyco Electronics Corporation Harrisburg, PA 17105
		CHK	26JAN01	
		APVD	26JAN01	
		PRODUCT SPEC		
DIMENSIONS: MM		TOLERANCES UNLESS OTHERWISE SPECIFIED:		NAME
		0 PLC ± - 1 PLC ± 0.3 2 PLC ± 0.25 3 PLC ± - 4 PLC ± - ANGLES ± -		TERMINAL BLOCK PCB MOUNT TOP WIRE ENTRY, LOW PROFILE W/INTERLOCK, 5.08mm PITCH (LT)
MATERIAL		FINISH		SIZE
				CAGE CODE <b>A2 00779</b>
				DRAWING NO
				<b>C=796421</b>
				RESTRICTED TO
				SCALE
				<b>6:1</b>
				SHEET
				<b>1</b> OF <b>2</b>
				REV
				<b>B</b>

THIS DRAWING IS UNPUBLISHED. RELEASED FOR PUBLICATION  
 © COPYRIGHT BY TYCO ELECTRONICS CORPORATION. ALL RIGHTS RESERVED.

LOC		DIST		REVISIONS			
P	LTR	DESCRIPTION	DATE	DWN	APVD		
	B	SEE SHEET 1	-	-	-		

1. Application and Features:

- 1-1. Standard sizes are 2 and 3 way-blocks, but every number of contact can be combined, by simply plugging them together and can be ordered as required\*\*
- 1-2. With wire guard for wire protection (for that the screw doesn't press directly on the wire)

2-3. Mechanical:

- 2-3-1. Torque: 4 Kg.cm (Max).
- 2-3-2. Operating temperature: -55°C to +105°C.
- 2-3-3. Solderability: 95% coverage (min).

2. Technical Data:

2-1. Material:

- 2-1-1. HOUSING: NY-FR15 UL 94 V-0 (Blue).
- 2-1-2. Metal Housing: Brass(Cu Zn)  
Cu,Tin plated.
- 2-1-3. Wire guard: Stainless steel.
- 2-1-4. Screw: Steel galvanized and chromated, M2.6

2-2. Electrical:

- 2-2-1. Current rating: 10 Amps/way max.
- 2-2-2. Contact resistance: 20mΩ (Max).
- 2-2-3. Insulation resistance: 5000MΩ /1000V.
- 2-2-4. Withstanding Voltage: 1500VAC (1min).  
test time =60sec/1pcs
- 2-2-5. Operation Voltage: 300 VAC.
- 2-2-6. Wire Range: 14-22 AWG.

THIS DRAWING IS A CONTROLLED DOCUMENT.		DWN	26JAN01	<b>BUCHANAN</b> Tyco Electronics Corporation Harrisburg, PA 17105
DIMENSIONS: MM		CHK	26JAN01	
TOLERANCES UNLESS OTHERWISE SPECIFIED:		APVD	26JAN01	
0 PLC ± -		D. BIEVENOUR		NAME
1 PLC ± -		PRODUCT SPEC		TERMINAL BLOCK, PCB MOUNT
2 PLC ± 0.08		APPLICATION SPEC		TOP WIRE ENTRY, LOW PROFILE
3 PLC ± -		WEIGHT		W/INTERLOCK, 5.08mm PITCH (LT)
4 PLC ± -		SIZE		SIZE CAGE CODE DRAWING NO
ANGLES ± -		A2 00779 C=796421		RESTRICTED TO
MATERIAL		CUSTOMER DRAWING		SCALE 1:1 SHEET 2 OF 2 REV B