

PRINT
DW

THIS INFORMATION IS CONFIDENTIAL AND IS DISCLOSED TO YOU ON CONDITION THAT NO FURTHER DISCLOSURE IS MADE BY YOU TO OTHER THAN AMP PERSONNEL WITHOUT WRITTEN AUTHORIZATION FROM AMP (TAIWAN) LTD. DIMENSIONS IN MILLIMETERS. DO NOT SCALE PRINT.

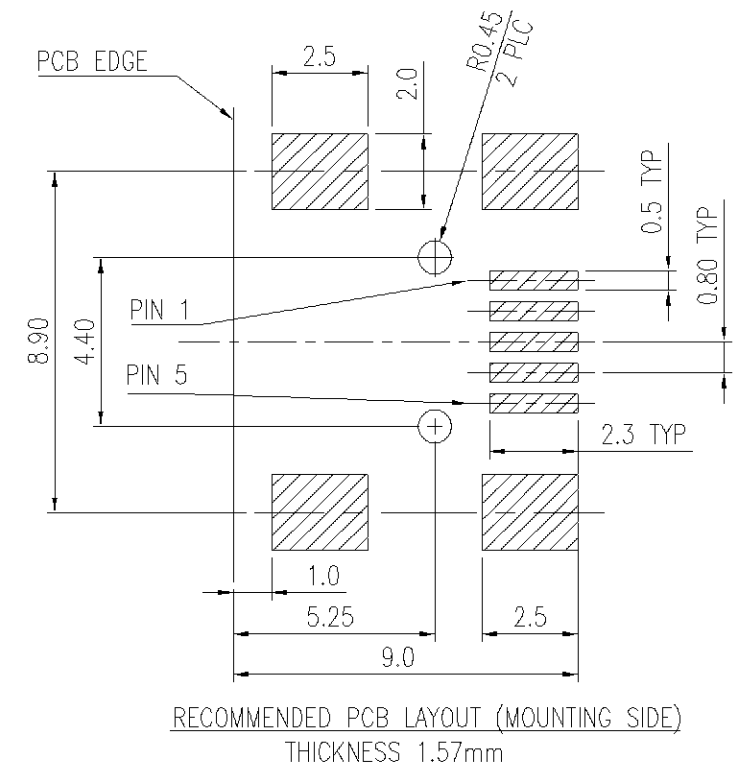
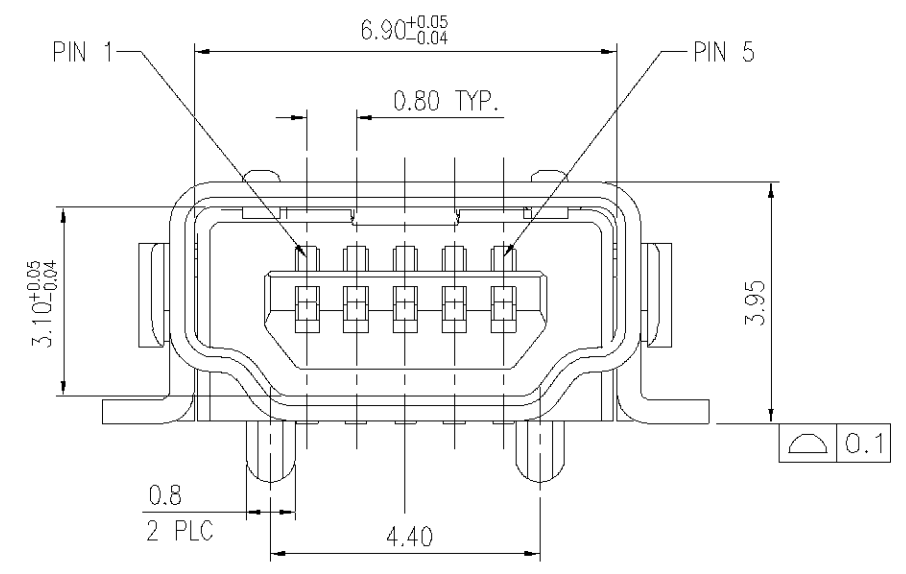
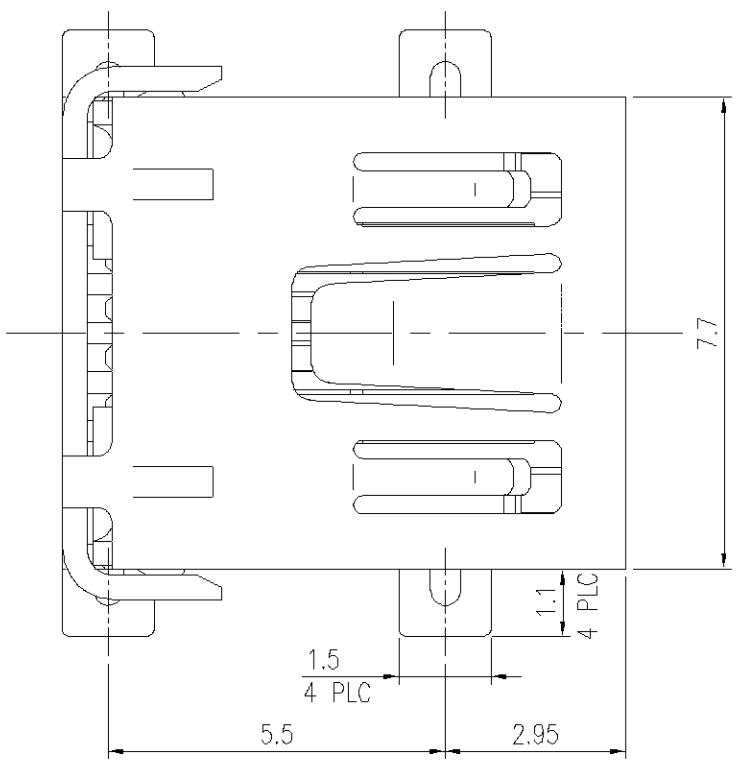
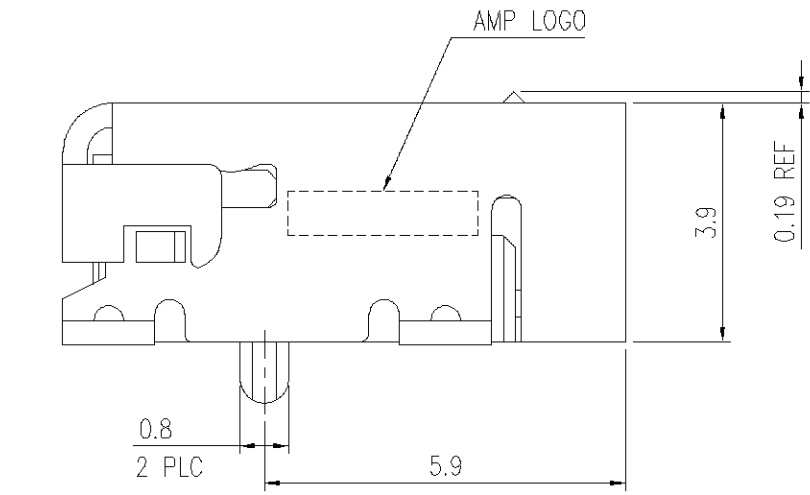
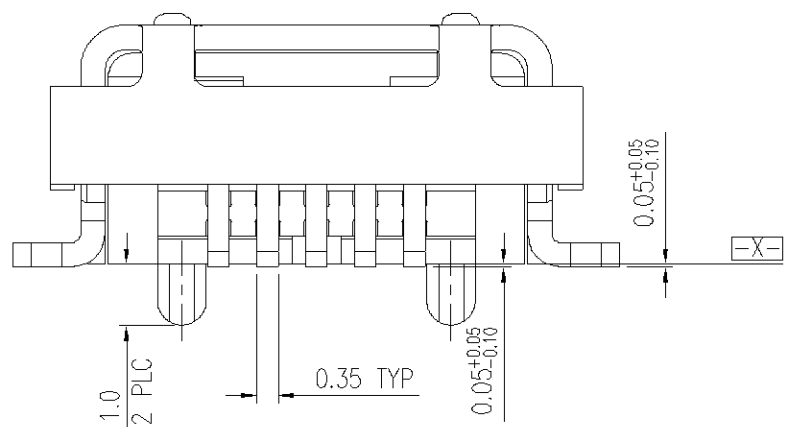
METRIC

3RD ANGLE PROJECTION

NUMBER
C-440478

NOTE:

- MATERIAL:
HOUSING: HIGH TEMPERATURE THERMOPLASTIC UL 94V-0, COLOR: BLACK.
CONTACT: PHOSPHOR BRONZE.
SHELL: PHOSPHOR BRONZE.
- FINISH:
CONTACT: 30u" MIN. GOLD PLATED IN CONTACT AREA, HALF-BRIGHT TIN ON SOLDER TAILS, NICKEL UNDERPLATED ALL OVER.
SHELL: HALF-BRIGHT TIN OVER Cu UNDERPLATED.



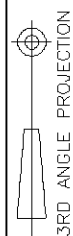
B	REVISED	FZ00-0253-02	JC JW	15NOV 2002
A	REVISED	FZ00-0044-01	AW OH	20JUL 2001
O	FIRST RELEASED	FW00-0067-01	AW JC	15MAY 2001
LTR	REVISION RECORD	ECN	DWN CHK	DATE

DIMENSION :	DWN	J. CHENG
0 PLC ±0.38	CHK	J. WU
1 PLC ±0.25	APVD	J. WU
2 PLC ±0.13	PRODUCT SPEC	108-57062
3 PLC ±0.05	APPLICATION SPEC	-
ANGLES ±3'	WEIGHT	
MATERIAL	SEE NOTE	
FINISH	SEE NOTE	

TAPE REEL	440478-2
TRAY	440478-1
PACKAGE	PART NUMBER

tyco Electronics		TYCO HOLDINGS (BERMUDA) VII LTD. TAIWAN BRANCH	
NAME MINI USB TYPE A, RECEPTACLE, 5 POS., RIGHT ANGLE, SMT			
LOC	SIZE	DRAWING NO	REV
DW	A ₃	C-440478	B
SCALE		SHEET	
--		1 OF 3	

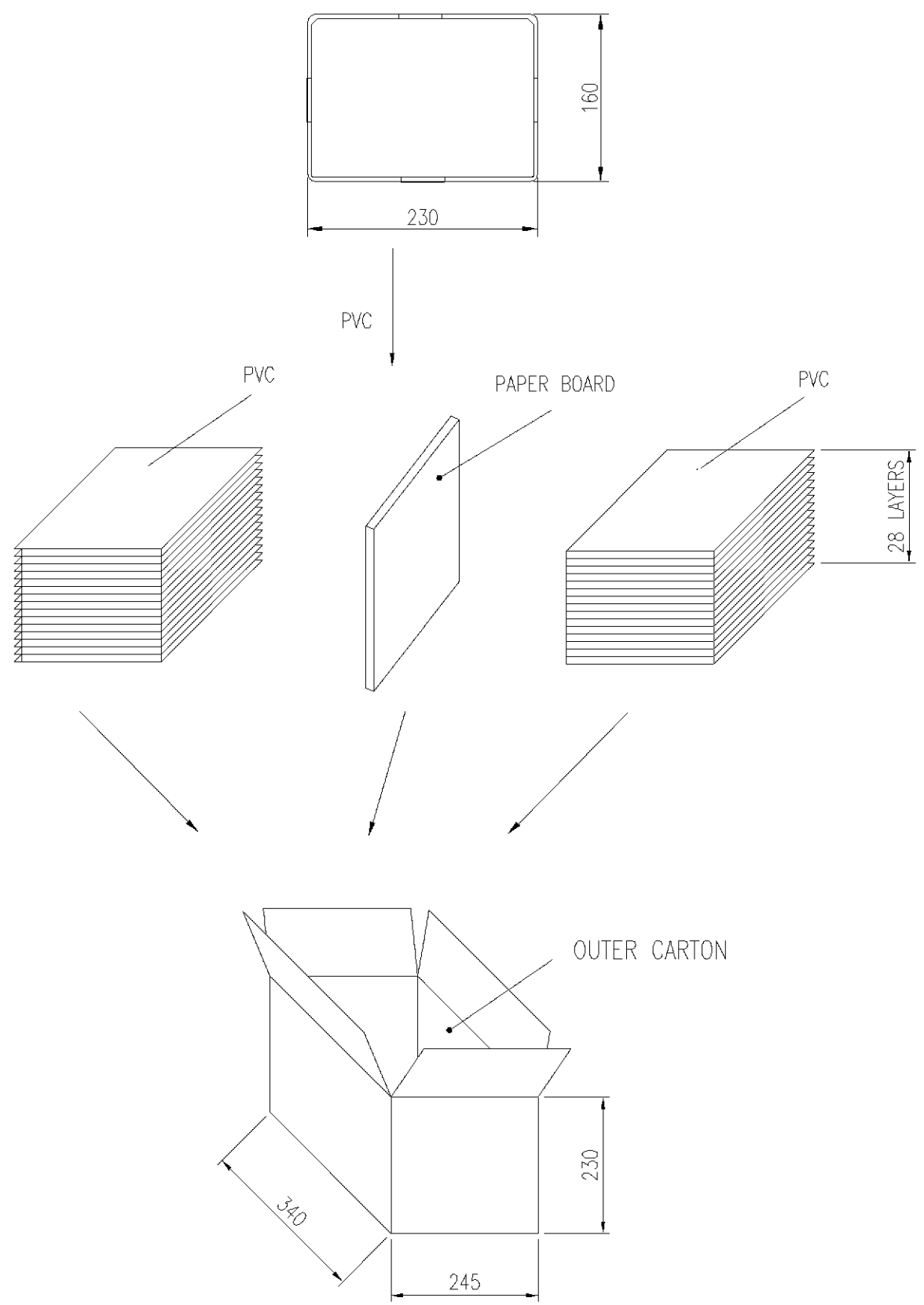
NUMBER
C-440478



METRIC

THIS INFORMATION IS CONFIDENTIAL AND IS DISCLOSED TO YOU ON CONDITION THAT NO FURTHER DISCLOSURE IS MADE BY YOU TO OTHER THAN AMP PERSONNEL WITHOUT WRITTEN AUTHORIZATION FROM AMP (TAIWAN) LTD. DIMENSION IN MILLIMETERS. DO NOT SCALE PRINT.

PRINT DIST
DW



PCS/ TRAY	PACKAGING QUANTITY / 裝箱數量 / 外箱	OUTER CARTON	N.W(KGS) 淨重	G.W(KGS) 毛重
150	8400 (56TRAY)		6.7	9.2

DIMENSION : 0 PLC ± 1 PLC ± 2 PLC ± 3 PLC ± ANGLES ±		DWN J. CHENG 15-NOV-2002 CHK J. WU 15-NOV-2002	tyco Electronics TYCO HOLDINGS (BERMUDA) VII LTD. TAIWAN BRANCH	
MATERIAL -		APVD J. WU 15-NOV-2002	NAME MINI USB TYPE A, RECEPTACLE, 5 POS., RIGHT ANGLE, SMT	
FINISH -		APPLICATION SPEC -	LOC DW SIZE A ₃	DRAWING NO C-440478 REV B
WEIGHT -		SCALE --	SHEET 2 OF 3	

SEE SHEET 1.	ECN	DWN CHK	DATE
LTR	REVISION RECORD		

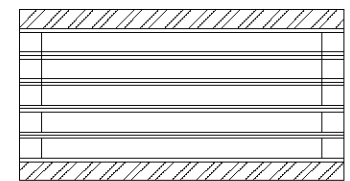
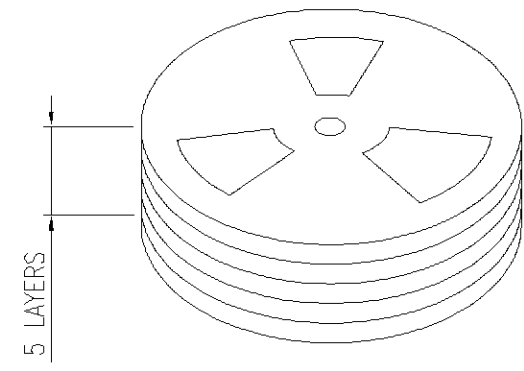
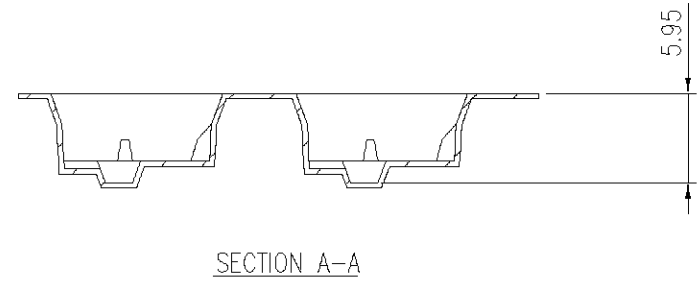
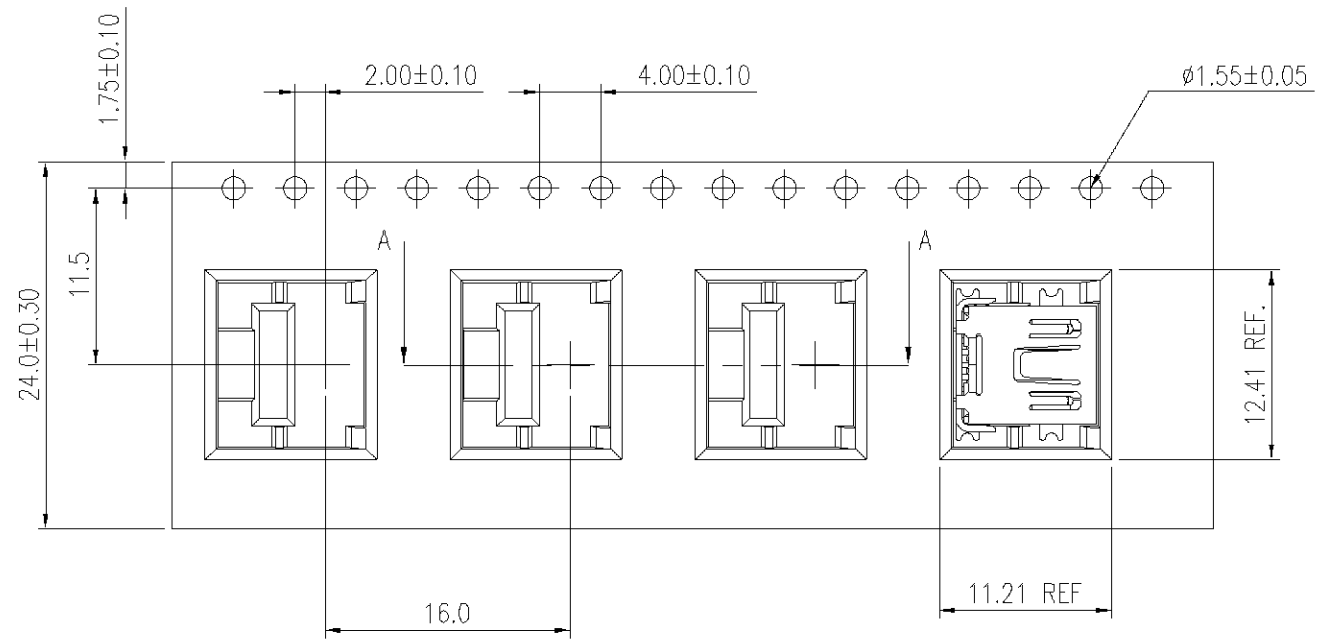
NUMBER
C-440478

3RD ANGLE PROJECTION

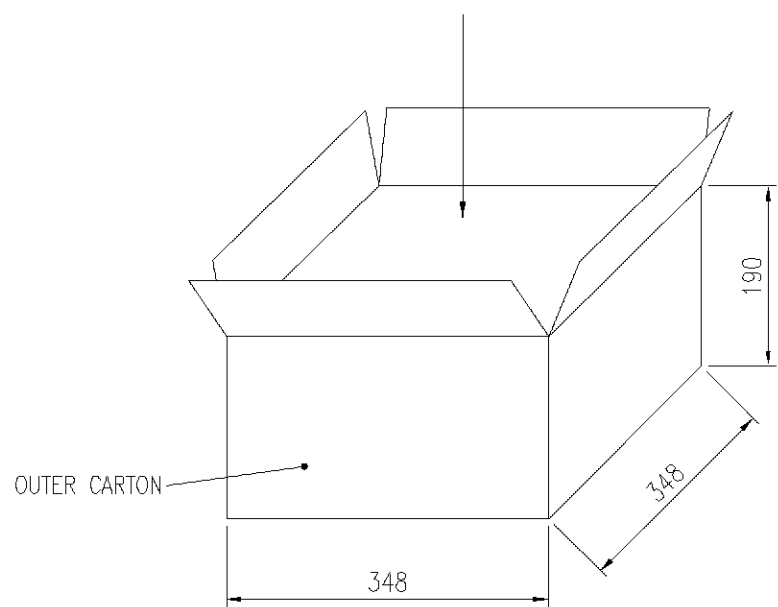
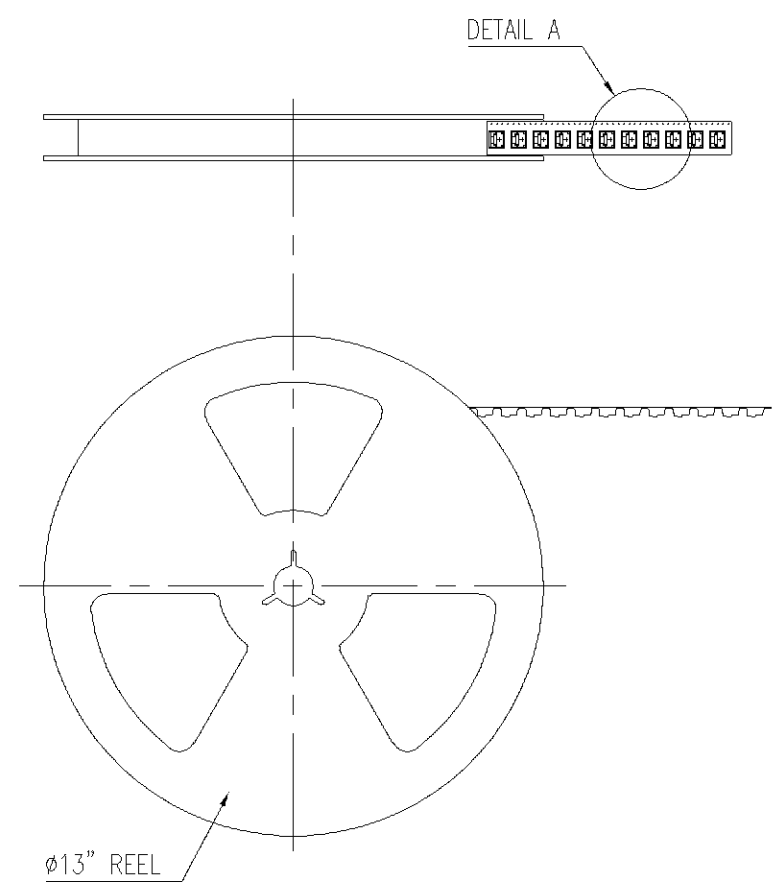
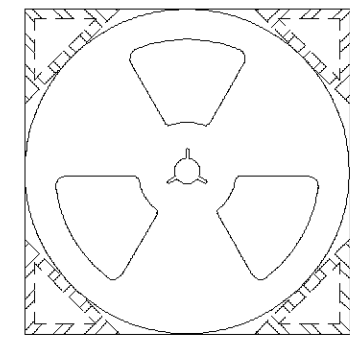
METRIC

THIS INFORMATION IS CONFIDENTIAL AND IS DISCLOSED TO YOU ON CONDITION THAT NO FURTHER DISCLOSURE IS MADE BY YOU TO OTHER THAN AMP PERSONNEL WITHOUT WRITTEN AUTHORIZATION FROM AMP (TAIWAN) LTD. DIMENSION IN MILLIMETERS. DO NOT SCALE PRINT.

PRINT
DW



PACKING BOX



- NOTES:
1. APPLICABLE P/N: 440478-2
 2. APPLICABLE DOCUMENT : EIA-481-2
 3. PACKAGE: 700 PCS/REEL , 5 REEL/BOX
W.G. : 6.5Kg , N.G. : 5.5Kg
 4. QUANTITY: 3500 PCS.

DIMENSION :	0 PLC ±	DWN	J. CHENG	tyco	TYCO HOLDINGS (BERMUDA) VII LTD. TAIWAN BRANCH
	1 PLC ±	15-NOV-2002			
MATERIAL	2 PLC ±	CHK	J. WU	Electronics	NAME
	3 PLC ±	15-NOV-2002			
FINISH	ANGLES ±	APVD	J. WU	MINI USB TYPE A, RECEPTACLE, 5 POS., RIGHT ANGLE, SMT	LOC
		15-NOV-2002			
		PRODUCT SPEC			SIZE
		APPLICATION SPEC			DRAWING NO
		WEIGHT			C-440478
					REV
					B
					SCALE
					3 OF 3
					SHEET
					3 OF 3

SEE SHEET 1.	ECN	DWN	CHK	DATE
LTR	REVISION RECORD			