

ISOLATION TRANSFORMER FOR PLT-22 TRANSCEIVER, TO EN60950

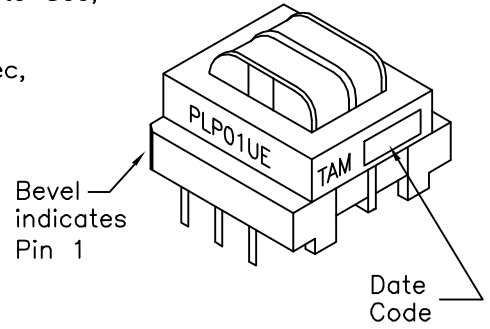
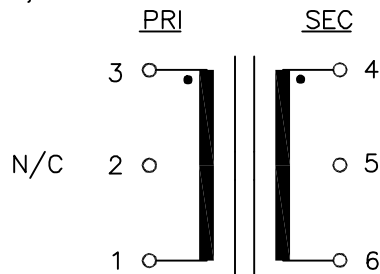
A. Electrical Specifications (@ 25°C);

1. Primary Inductance (Dry); $1\text{MH} \pm 25\%$ @ 100KHz, 1V
2. Primary Inductance (Wet); 0.75mH MIN @ 100KHz, 1V, DC15mA
3. DC Resistance; (1-3)= 0.2Ω MAX
(4-6)= 0.2Ω MAX
4. Turns Ratio; (1-3):(4-6)= $1:1.00 \pm 3\%$
5. Primary Leakage Inductance with shorted secondary; $12\mu\text{H} \pm 10\%$ @ 100KHz, 0.5V
6. Interwinding Capacitance between primary and secondary; 30pF MAX @ 100KHz
7. Insulation Resistance; $100\text{M}\Omega$ MIN @ 500VDC, Pri to Sec,
Pri to Core, Sec to Core
8. Dielectric Strength; 3000Vrms , 1 MIN @ Pri to Sec,
Pri to Core, Sec to Core

B. Marking; TAM, part number and date code

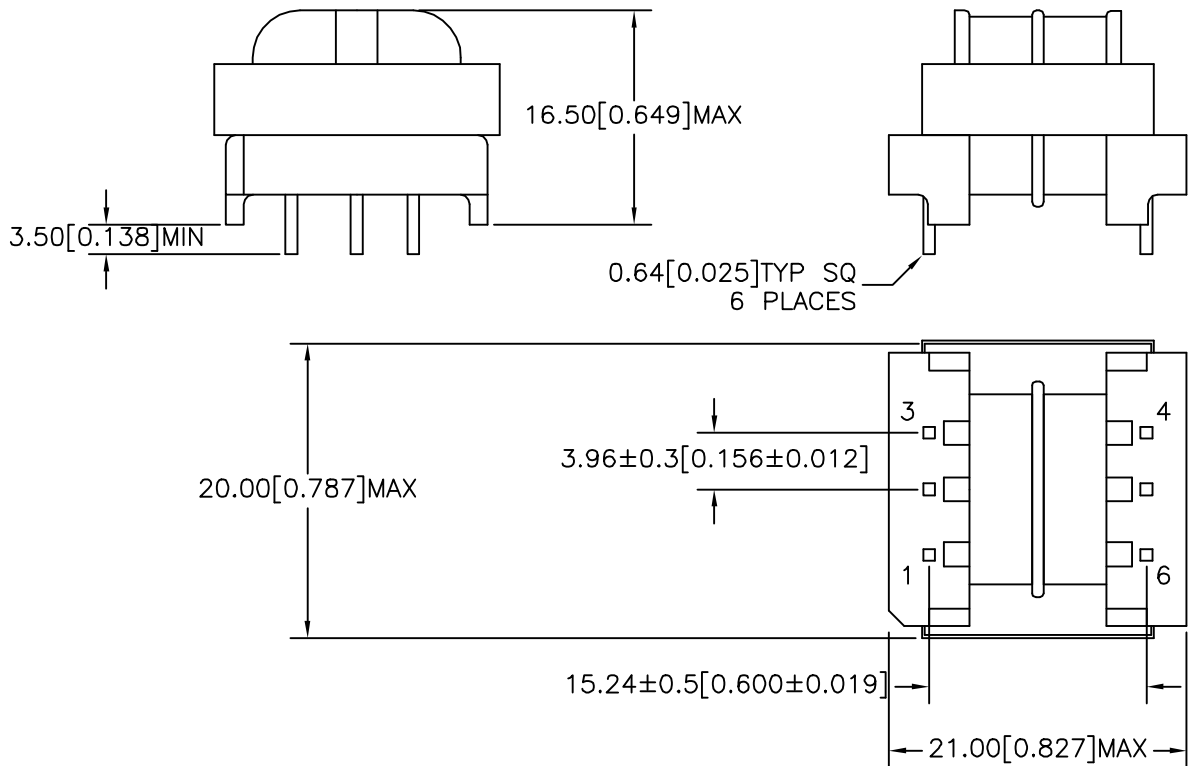
C. Safety; Pending approval to EN60950

D. Schematic;



MODEL NUMBER
PLP01UE

E. Mechanical Specifications;



PREPARED BY:

D. Rund

ENGINEER:

Y. Sekiguchi

QUALITY CONTROL:

D. Kelley

APPROVED:

J. Coleman

DWG CONTROL NO.
P-A1-13110
ACAD\MXFR\A1131101.DWG

REV
PRE

ISOLATION TRANSFORMER
FOR PLT-22 TRANSCEIVER

TAMURA CORPORATION OF AMERICA
43352 BUSINESS PARK DRIVE, TEMECULA, CA. 92590-6624
(909) 699-1270 FAX 9096769482

PLP01UE

MODEL SPECIFICATION

DIM: mm(in) SCL: 1/2 SH: 1 OF 1

PROPRIETARY NOTICE: THIS DRAWING PRINT OR DOCUMENT AND SUBJECT MATTER DISCLOSED HEREIN ARE PROPRIETARY ITEMS TO WHICH TAMURA RETAINS THE EXCLUSIVE RIGHT OF DISSEMINATION, REPRODUCTION, MANUFACTURE AND SALE. THIS DRAWING, PRINT OR DOCUMENT IS SUBMITTED IN CONFIDENCE FOR CONSIDERATION BY THE RECIPIENT ALONE UNLESS PERMISSION FOR FURTHER DISCLOSURE IS EXPRESSLY GRANTED IN WRITING.