

**PLEASE CHECK WWW.MOLEX.COM FOR LATEST PART INFORMATION**

**Part Number:** [0190190049](#)  
**Status:** **Active**  
**Overview:** Standard Quick-Disconnect Terminals  
**Description:** Avikrimp Quick Disconnect, Female, for 12-14 (3.30-2.00mm<sup>2</sup>) Wire, Box, Tab 4.75 x 0.81mm

**Documents:**

[Drawing \(PDF\)](#) [Product Specification PS-19902-014-001 \(PDF\)](#)  
[Product Specification PS-19902-011-001 \(PDF\)](#) [RoHS Certificate of Compliance \(PDF\)](#)  
[Product Specification PS-19902-013-001 \(PDF\)](#)

**Agency Certification**

CSA LR18689  
 UL E79133

**General**

Product Family Quick Disconnects  
 Series [19019](#)  
 Crimp Quality Equipment Yes  
 Insulated Partial  
 Overview [Standard Quick-Disconnect Terminals](#)  
 Product Name Avikrimp  
 Type Quick Disconnect  
 UPC 800753038523

**Physical**

Barrel Type Closed  
 Color - Resin Yellow  
 Flammability 94V-2  
 Gender Female  
 Glow-Wire Capable No  
 Insulation Nylon (PA)  
 Lock to Mating Part None  
 Material - Metal Brass  
 Material - Plating Mating Tin  
 Material - Plating Termination Tin  
 Net Weight 0.849/g  
 Orientation Straight  
 Packaging Type Bag  
 Polarized to Mating Part No  
 Tab Thickness 0.81mm  
 Tab Width 4.75mm  
 Temperature Range - Operating -65° to +105°C  
 Wire Insulation Diameter 4.30mm max.  
 Wire Size AWG 12, 14

**Electrical**

Voltage - Maximum 300V

**Solder Process Data**

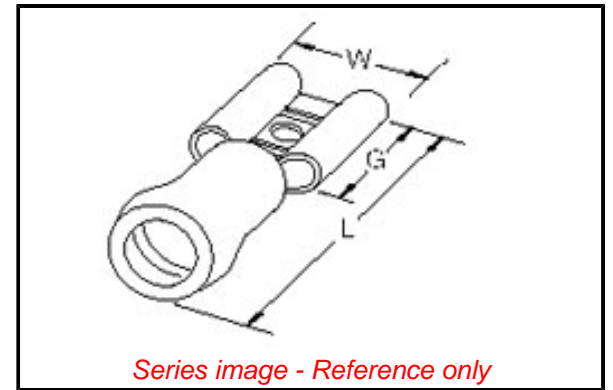
Lead-free Process Capability N/A

**Material Info**

Engineering Number P-8139-032

**Reference - Drawing Numbers**

Product Specification PS-19902-011-001, PS-19902-013-001, PS-19902-014-001



**EU ELV**

**Not Relevant**

**EU RoHS**

**Compliant**

**REACH SVHC**

Not Contained Per - ECHA\_01\_2020 (16 January 2020)

**Halogen-Free**

**Status**

**Low-Halogen**

For more information, please visit [Contact US](#)

China ROHS

ELV

RoHS Phthalates

**China RoHS**

Green Image

Not Relevant

Not Contained

**Search Parts in this Series**

[19019 Series](#)

**Application Tooling | FAQ**

*Tooling specifications and manuals are found by selecting the products below. Crimp Height Specifications are then contained in the Application Tooling Specification document.*

**Global**

Description	Product #
Hand Crimp Tool	<a href="#">640011800</a>
Crimp Head for the AT-200 Pneumatic Hand Tool	<a href="#">640051800</a>

This document was generated on 03/06/2020

**PLEASE CHECK [WWW.MOLEX.COM](http://WWW.MOLEX.COM) FOR LATEST PART INFORMATION**