

# Arrow Hart construction grade controlled receptacle

Project Name:	Prepared By:
Project Number:	Date:
Catalog Number:	Type:

## Description

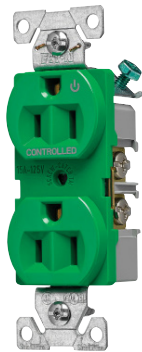
2-pole, 3-wire grounding  
 15A 125V/AC; 20A 125V/AC  
 NEMA 5-15, 5-20



5-15R



5-20R



5362CHGN



TR5262CHW



5362CHLA



TR5262CHW

## Features

- NEMA approved controlled symbol and “controlled” pad printed on the face of the receptacle provides easy recognition of controlled outlet
- Offered in both dual and half controlled option for ease of use for one outlet or both
- High impact- and chemical-resistant nylon face maintains receptacle integrity
- Convenient built-in #10 and #12 AWG wire strippers for easy wiring
- All terminal and mounting screws triple combination (Slot/Phillips/Robertson) head for maximum installer flexibility
- Automatic grounding system eliminates need for bonding jumper in grounded metal enclosures
- Extra long/wide mounting strap maintains assembly security and helps reach oversize cutouts

**Table 1. Half controlled receptacle, back & side wire**

Catalog No.	Description	Amps	Volts	Color suffix
□ 5262CH__	Half controlled duplex receptacle	15	125	B, BK, GN, GY, RD, V, W
□ 5362CH__	Half controlled duplex receptacle	20	125	B, BK, GN, GY, LA, RD, V, W
□ 6252CH__	Half controlled decorator receptacle	15	125	B, BK, GY, LA, V, W
□ 6352CH__	Half controlled decorator receptacle	20	125	B, BK, GY, LA, V, W
□ TR5262CH__	Tamper resistant half controlled duplex receptacle	15	125	B, BK, GN, GY, LA, V, W
□ TR5362CH__	Tamper resistant half controlled duplex receptacle	20	125	B, BK, GN, GY, LA, RD, V, W
□ TR6252CH__	Tamper resistant half controlled decorator receptacle	15	125	LA, V, W
□ TR6352CH__	Tamper resistant half controlled decorator receptacle	20	125	B, BK, GY, LA, V, W

Compliances, specifications and availability are subject to change without notice.



Powering Business Worldwide

Project Name:	Prepared By:
Project Number:	Date:
Catalog Number:	Type:



6252CDBK



TR5362CDGN

**Table 2. Dual controlled receptacle, back & side wire**

Catalog No.	Description	Amps	Volts	Color suffix
<input type="checkbox"/> 5262CD__	Dual controlled duplex receptacle	15	125	B, BK, GN, GY, RD, V, W
<input type="checkbox"/> 5362CD__	Dual controlled duplex receptacle	20	125	B, BK, GN, GY, LA, RD, V, W
<input type="checkbox"/> 6252CD__	Dual controlled decorator receptacle	15	125	B, BK, GN, GY, LA, RD, V, W
<input type="checkbox"/> 6352CD__	Dual controlled decorator receptacle	20	125	B, BK, GN, GY, LA, V, W
<input type="checkbox"/> TR5262CD__	Tamper resistant dual controlled duplex receptacle	15	125	B, BK, GN, GY, LA, V, W
<input type="checkbox"/> TR5362CD__	Tamper resistant dual controlled duplex receptacle	20	125	B, BK, GN, GY, LA, RD, V, W
<input type="checkbox"/> TR6252CD__	Tamper resistant dual controlled decorator receptacle	15	125	GN, LA, V, W
<input type="checkbox"/> TR6352CD__	Tamper resistant dual controlled decorator receptacle	20	125	B, BK, GN, GY, LA, V, W

## Applications

Eaton's controlled receptacles adhere to the latest codes and standards for the installation of controllable electrical devices. Our receptacles feature a "controlled" permanent mark providing a differentiated solution from our existing receptacles. The controlled receptacle marking printed on the face of the receptacle is NEMA approved and compliant with the National Electric Code article 406.3, CA Title 24 standard, and ASHRAE 90.1 Energy Efficiency standard. Our selection of receptacles comprises a number of variants to include dual-controlled and half-controlled duplex and decorator receptacles in both a 15A and 20A version at 125V.

**Table 3. Specifications**

Catalog no.	5262CH, 5362CH, 5262CD, 5362CD, 6252CH, 6352CH, 6252CD, 6352CD, TR5262CH, TR5362CH, TR5262CD, TR5362CD, TR6252CH, TR6352CH, TR6252CD, TR6352CD Series
Device type	Controlled receptacles
Wiring type	Back & side wire
Testing & code compliance	<ul style="list-style-type: none"> <li>Listed to UL 498, file no. E15058</li> <li>UL verified to Federal Spec. WC-596G</li> <li>CSA certified to C22.2, no. 42, file no. 6914 (6233-01)</li> <li>NOM certified except 5662C</li> <li>National Electric Code CA Title 24, and ASHRAE Energy Efficiency Standard 90.1</li> </ul>
Environmental specifications	<b>Flammability:</b> Meets UL 94 requirements; V2 rated <b>Temperature rating:</b> -20°C to 70°C (-4°F to 158°F)
Electrical specifications	<b>Dielectric voltage:</b> Withstands 2000V per UL 498 <b>Current interrupting:</b> Yes, at full-rated current <b>Temperature rise:</b> Max. 30°C (86°F) after 250 cycles of overload @ 200% of rated current (DC)
Mechanical specifications	<b>Terminal accommodation:</b> #14 - 10 AWG <b>Voltage ratings:</b> Permanently marked on device

**Table 4. Materials**

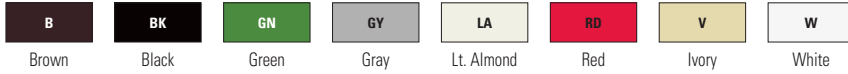
Catalog no.	5262CH, 5362CH, 5262CD, 5362CD, 6252CH, 6352CH, 6252CD, 6352CD, TR5262CH, TR5362CH, TR5262CD, TR5362CD, TR6252CH, TR6352CH, TR6252CD, TR6352CD Series
Face	Impact & chemical resistant nylon
Top housing	PVC, (TR6252CDGN, TR6352CDGN)
Base	PVC
Strap	0.046" thick galvanized steel
Auto ground	Phosphor bronze staple
Line contacts	0.030" thick 3-leaf brass
Ground contact	Brass riveted
Terminal screws	#8-32 steel, brass plated hot, neutral screw nickel plated
Ground screw	#8-32 steel (green)
Tamper resistant shutters	Reliable Delrin® shutter assembly

Delrin® is a registered trademark of E.I. du Pont de Nemours

Project Name:	Prepared By:
Project Number:	Date:
Catalog Number:	Type:

**Table 5. Color ordering information**

For ordering devices, include Cat. no. followed by the color suffix: B (Brown), BK (Black), GN (Green), GY (Gray), LA (Light Almond), RD (Red), V (Ivory), W (White)



**Product Dimensions**

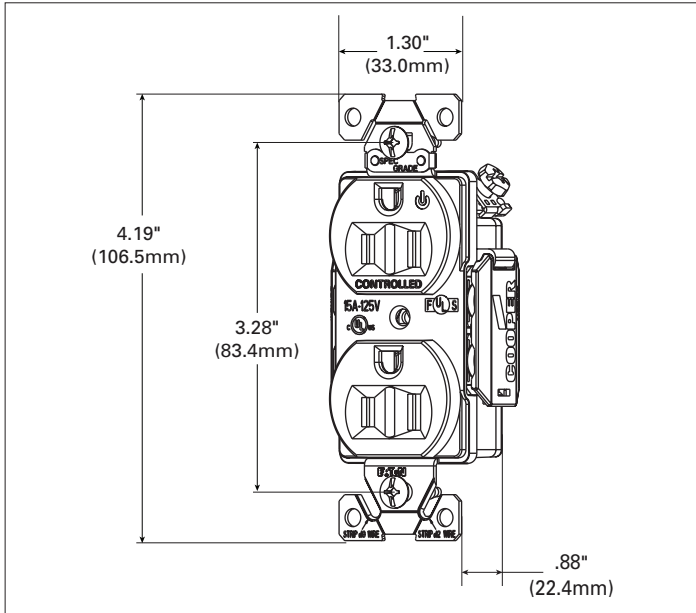


Figure 1. 5262CH Line art with dimensions

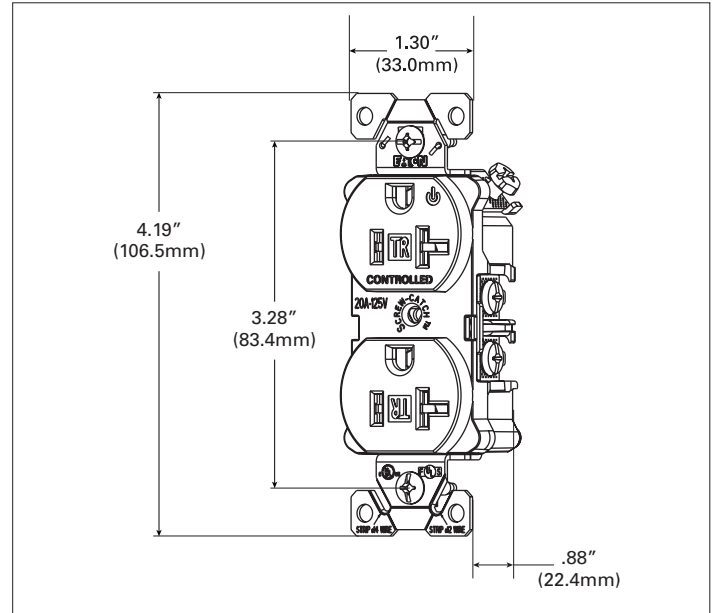


Figure 2. TR5362CH Line art with dimensions

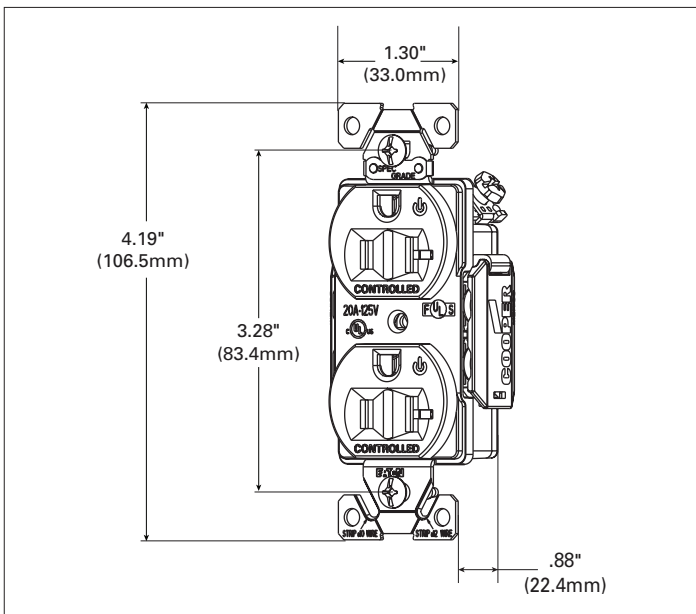


Figure 3. 5362CD Line art with dimensions

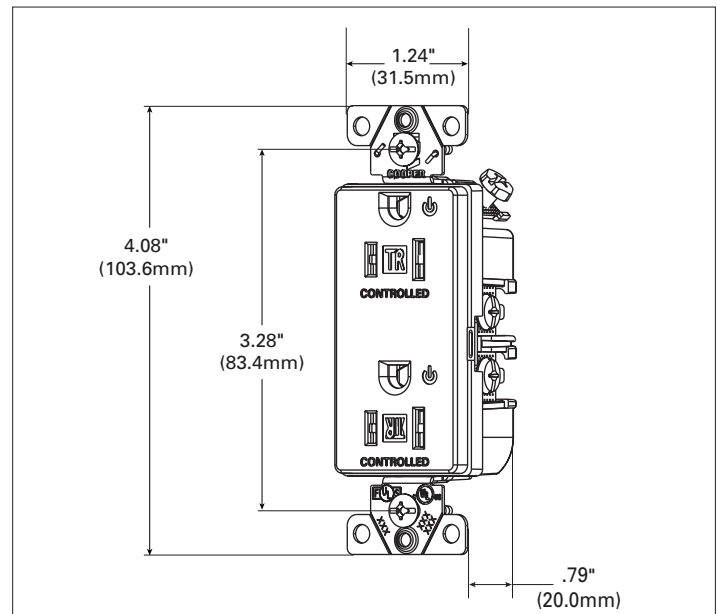


Figure 4. TR6252CD Line art with dimensions

Project Name:	Prepared By:
Project Number:	Date:
Catalog Number:	Type:

## Product Dimensions

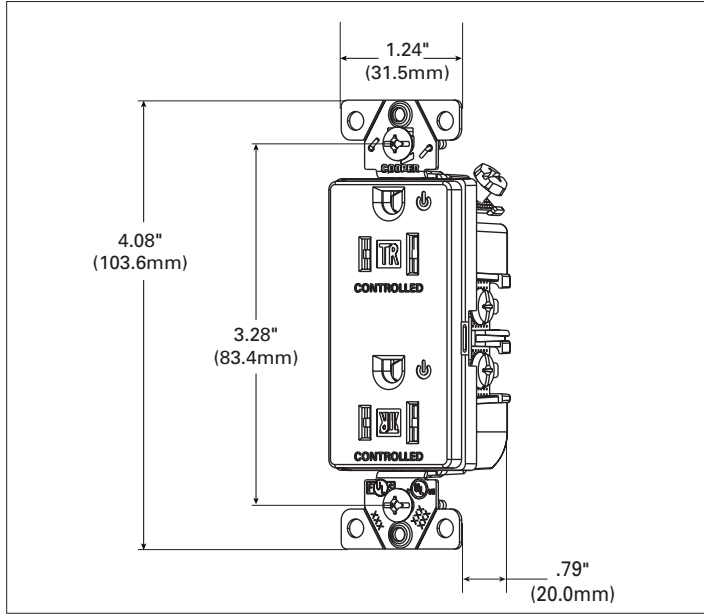


Figure 5. TR6252CD Line art with dimensions

## Certifications & Compliances

Catalog No.	cULus	FCS	NOM 426	Arrowlink	ROHS
5262CH	•	•	•	•	•
5362CH	•	•	•	•	•
5262CD	•	•	•	•	•
5362CD	•	•	•	•	•
6252CH	•	•	•	•	•
6352CH	•	•	•	•	•
6252CD	•	•	•	•	•
6352CD	•	•	•	•	•
TR5262CH	•	•	•	•	•
TR5362CH	•	•	•	•	•
TR5262CD	•	•	•	•	•
TR5362CD	•	•	•	•	•
TR6252CH	•	•	•	•	•
TR6352CH	•	•	•	•	•
TR6252CD	•	•	•	•	•
TR6352CD	•	•	•	•	•

**KEY:** cULus cULus FCS Fed Spec NOM 426 NOM

Build-To-Spec ROHS Arrowlink

Parts are manufactured and designed in accordance with article 4 of the European Union's RoHS2 directive 2011/65/EU

Build-To-Spec Customizable Devices

Electrical Sector  
203 Cooper Circle  
Peachtree City, GA 30269  
United States  
Eaton.com  
Eaton.com/arrowhart

Electrical Sector  
Canada Operations  
5925 McLaughlin Road  
Mississauga, Ontario, L5R 1B8  
Canada  
EatonCanada.ca  
Eaton.com/arrowhart

Electrical Sector  
Mexico Operations  
Carr. Tlalnepantla -  
Cuautitlán Km 17.8 s/n  
Col. Villa Jardín esq.  
Cerrada 8 de Mayo  
Cuautitlán, México CP 54800  
México  
Eaton.mx  
Eaton.com/arrowhart

**Eaton**  
1000 Eaton Boulevard  
Cleveland, OH 44122  
United States  
Eaton.com

© 2019 Eaton  
All Rights Reserved  
Printed in USA  
Publication No. TD620053EN  
September 2019