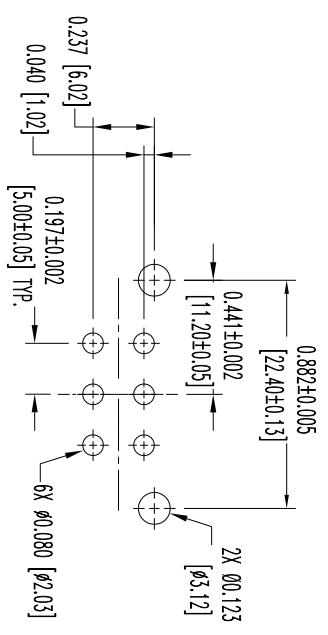
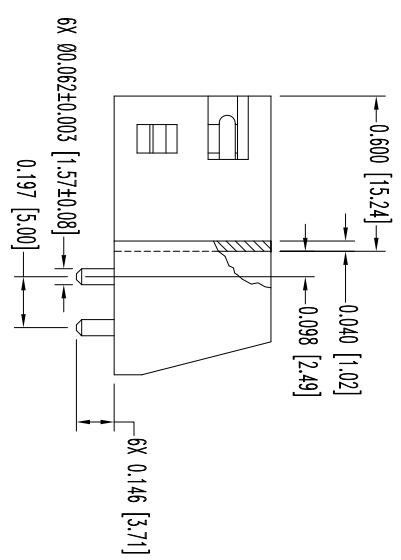
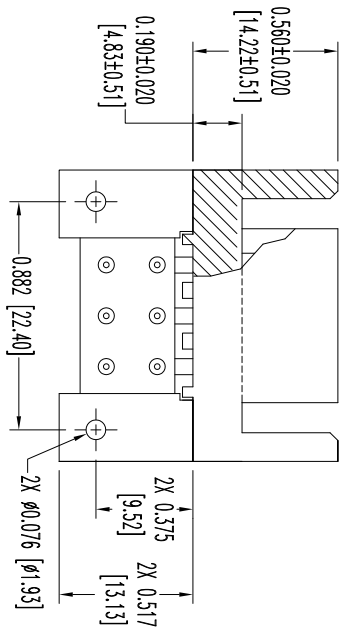
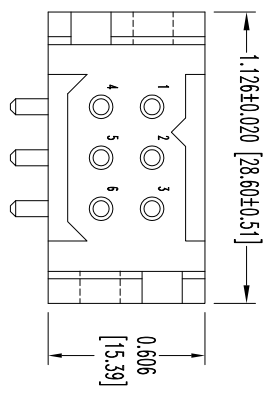


THIS DRAWING CONTAINS INFORMATION PROPRIETARY TO POSITRONIC AND ITS SUBSIDIARIES. POSITRONIC BELIEVES THE DATA ON THIS DRAWING TO BE RELIABLE, SINCE THE USER HAS NOT SHOWN REASONABLE CAUTION IN THE USE OF THE INFORMATION. POSITRONIC ASSUMES NO RESPONSIBILITY FOR RESULTS OBTAINED OR DAMAGES INCURRED FROM USE OF SUCH INFORMATION IN WHOLE OR IN PART.



CONTACT HOLE PATTERN

- NOTES:
1. MATERIALS AND FINISHES:  
INSULATOR: GLASS FILLED POLYESTER, UL 94V-0, COLOR BLUE.  
CONTACTS: PRECISION MACHINED COPPER ALLOY WITH GOLD FLASH OVER NICKEL ON MATING END AND 0.00020 [5.0μ] SOLDER COAT ON TERMINATION END.  
MOUNTING BRACKET WITH ALIGNMENT BAR: GLASS FILLED POLYESTER, UL 94V-0, COLOR BLUE.  
MOUNTING SCREWS: STEEL, ZINC PLATE.
  2. DETAILED PRODUCT, ELECTRICAL, AND MECHANICAL INFORMATION IS AVAILABLE IN THE LATEST PCS PRODUCT PUBLICATION. VISIT [CONNECTPOSITRONIC.COM/PRODUCTS/20/POWERCONNECTIONSYSTEMS](http://CONNECTPOSITRONIC.COM/PRODUCTS/20/POWERCONNECTIONSYSTEMS) OR [CONNECTPOSITRONIC.COM](http://CONNECTPOSITRONIC.COM).
  3. DIMENSIONS ARE IN INCHES [MILLIMETERS].

DATE	REV	REVISION RECORD	APP	DR	CK
5-22-13	NC	ECO 39562	COLF	MP	COLF

SK15127

		<b>POSITRONIC INDUSTRIES INC.</b> <a href="http://www.connectpositronic.com">www.connectpositronic.com</a>		FSCM 28198	
		DECIMAL TOL. $\pm 0.015$ [0.38]	SCALE N.T.S.	DRAWN BY MP	APPROVED BY COLF
ANGULAR TOL. $\pm 5^\circ$	PCS SERIES PLB06M4B30A2			REV. NC	