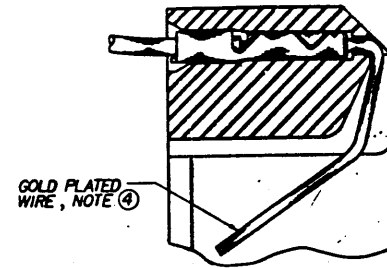
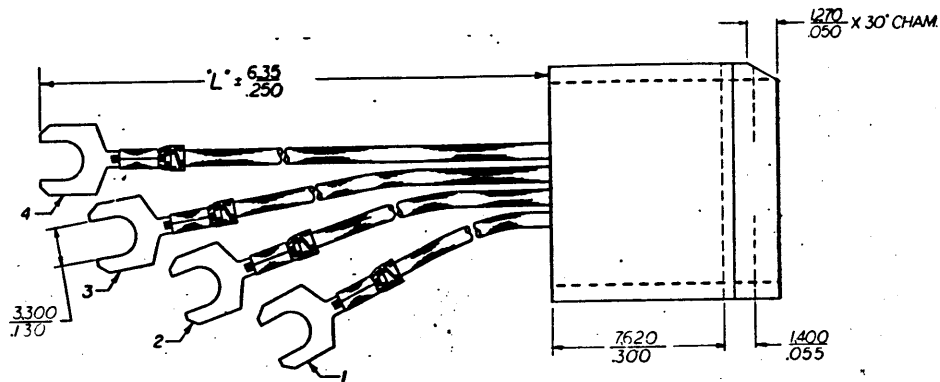
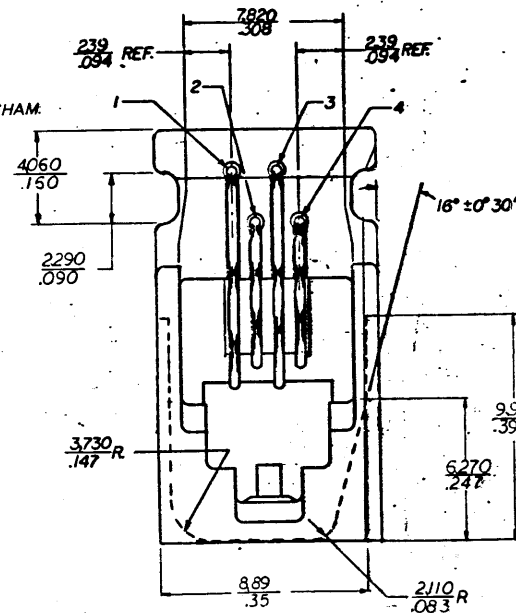
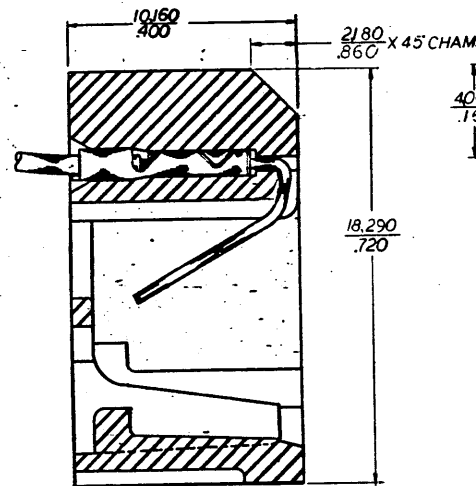
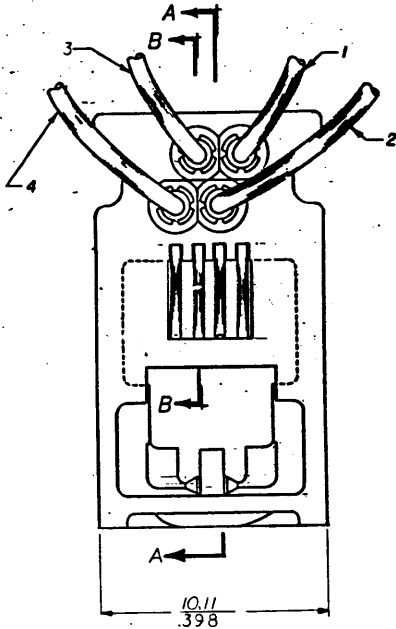


PRODUCT NO.  
66365

REVISIONS			
REV	DESCRIPTION	BY	DATE
A	REVISED L. SH. 2, APPROVED	MM	4/1/62
B	REV. NOTES 3+4	MM	4/1/62
C	SH. 1 CHNG PLATING SH. 2 ADD -002	SR	4/1/62
D	ADD -003, -004 L.W.	SR	4/1/62



SECTION B-B



- NOTE:**
- FOR VISUAL MECHANICAL AND FUNCTIONAL REQUIREMENTS SEE PRODUCT SPEC 12-003.
  - HOUSING MATL:** ABS MOLDING COMPOUND (COLOR GRAY)
    - STANDARD-FLAME RETARDANT PER UL-94V-1
    - HIGH TEMPERATURE-FLAME RETARDANT 85°C RATED PER UL-94V-0 (SEE CHART)
  - TERM. MATL:** 3/4 HD. BRASS ALLOY UNS-C26000, PREPLATED 254 $\mu$ /100 $\mu$ -7.62 $\mu$ /300 $\mu$  TIN LEAD.
  - GOLD PLATED WIRE MATL:** L: 9491 TO 10545 KG/CM<sup>2</sup>/135000 TO 150000 PSI TENSILE, PHOS. BRONZE ALLOY, UNS-C51000.  
PLATING: 0.76 $\mu$ /30L Au OVER 254 $\mu$ /100 $\mu$  Ni
  - INSULATED WIRE:** 27 AWG, 7 STRANDS OF TINNED COPPER WIRE. R V.C. INS.

CONTROLLED DOCUMENT

CUSTOMER COPY FOR REFERENCE ONLY				BORG ELECTRONICS			
DO NOT SCALE DRAWING				E. L. DU FORT DE MEDECIER & COMPANY			
FORM AND TOLERANCES UNLESS OTHERWISE SPECIFIED				7800 GARDEN LANE, F.O.			
DO NOT SCALE DRAWING	UNLESS OTHERWISE SPECIFIED	DATE	BY	DATE	BY	DATE	BY
LINEAR	AS SHOWN	12/1/61	MM	12/1/61	MM	12/1/61	MM
ANGULAR	AS SHOWN	12/1/61	MM	12/1/61	MM	12/1/61	MM
TITLES	USED TO	MM	12/1/61	TITLES	USED TO	MM	12/1/61
APPLICATION	MM	12/1/61	1/28	APPLICATION	MM	12/1/61	1/28
NEXT AWB				NEXT AWB			
APPLICATION				APPLICATION			

TITL: 6/16 JACK ASSEMBLY  
PART NO: 66365 SHEET 1 OF 2

PRODUCT NO.	WIRE NO.	WIRE COLOR	LENGTH "L"	HOUSING MATL. (NOTE 2)
66865-001	1	RED	203.20/8.00	STANDARD ABS
	2	WHITE	304.80/12.00	
	3	GREEN	304.80/12.00	
	4	BLACK	203.20/8.00	
66865-002	1	RED	107.95/4.25	STANDARD ABS.
	2	BLUE	107.95/4.25	
	3	GREEN	234.95/9.25	
	4	WHITE	234.95/9.25	
66865-003	1	BLACK	304.8/12.00	STANDARD A. B. S.
	2	GREEN		
	3	WHITE		
	4	RED	304.8/12.00	
66865-004	1	RED	180.09/7.09	STANDARD A. B. S.
	2	WHITE	149.86/5.90	
	3	GREEN	149.86/5.90	
	4	BLACK	180.09/7.09	

REVISIONS			
REV	DESCRIPTION	BY	DATE
D			

CONTROLLED  
DOCUMENT

CUSTOMER COPY FOR REFERENCE ONLY										BERG ELECTRONICS 8, 11 DU FORT DE HENRI/US A COMPANY NEW CUMBERLAND, PA.			
DO NOT SCALE DRAWING	REFERENCE CHECKS	INCH	MM	DATE	SCALE	TITLE	SCALE	SHEET	NO.	OF	616L JACK ASSEMBLY	1	2
	LINEAR	1/16	1/8	1/4	1/2	3/4	1	2	3	4			
	ANGULAR	1/16	1/8	1/4	1/2	3/4	1	2	3	4			
NEXT ASSY	USED ON	DATE	BY	SCALE	TITLE	SCALE	SHEET	NO.	OF	616L JACK ASSEMBLY	1	2	
APPLICATION	DATE	BY	SCALE	TITLE	SCALE	SHEET	NO.	OF	616L JACK ASSEMBLY	1	2		

NOTE: This work is the property of and contains proprietary designs of Berg Electronics. No part of this manual should be reproduced or transmitted in any form or by any means, electronic, mechanical, photocopying, recording, or by any information storage and retrieval system, without the prior written permission of Berg Electronics, New Cumberland, PA.