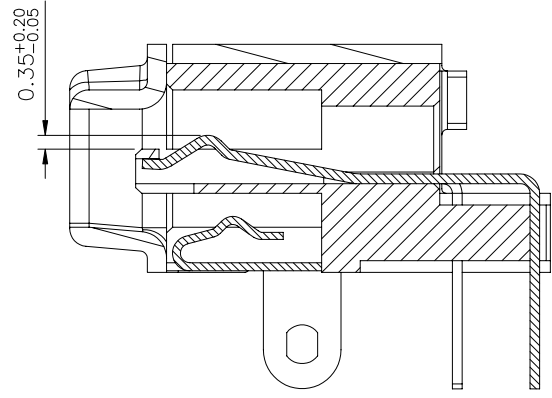
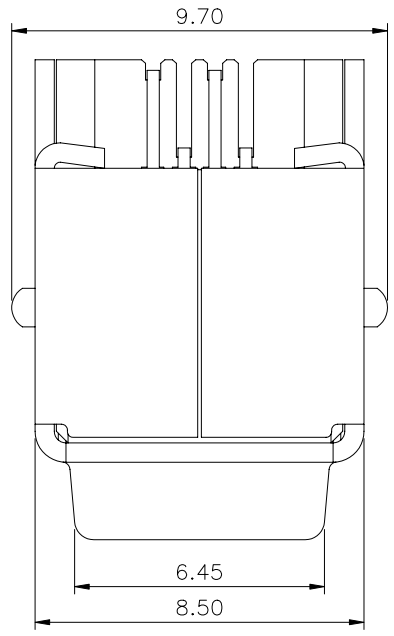
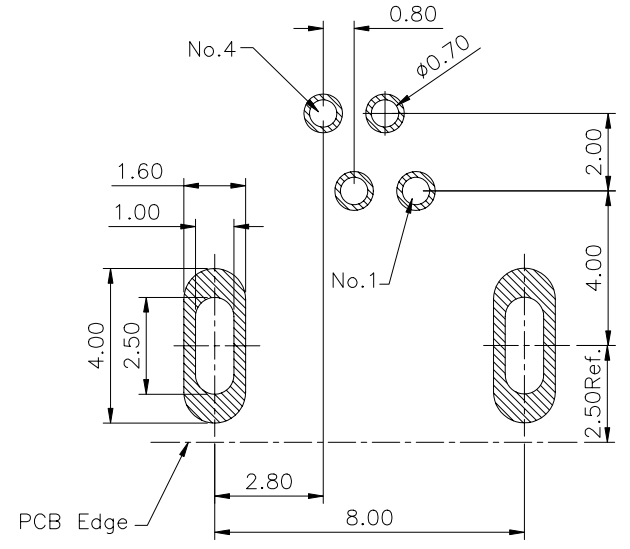


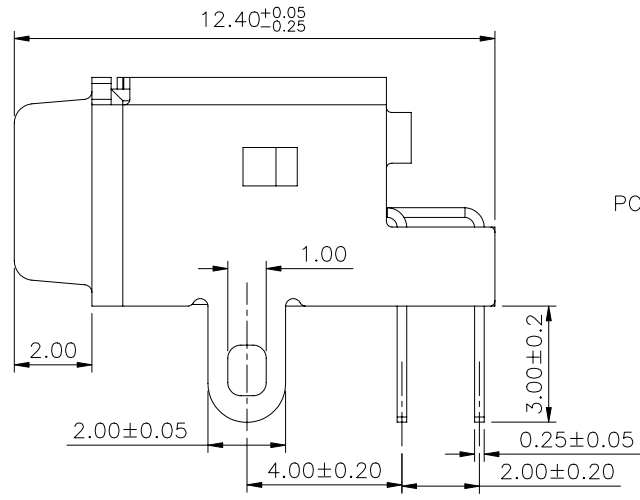
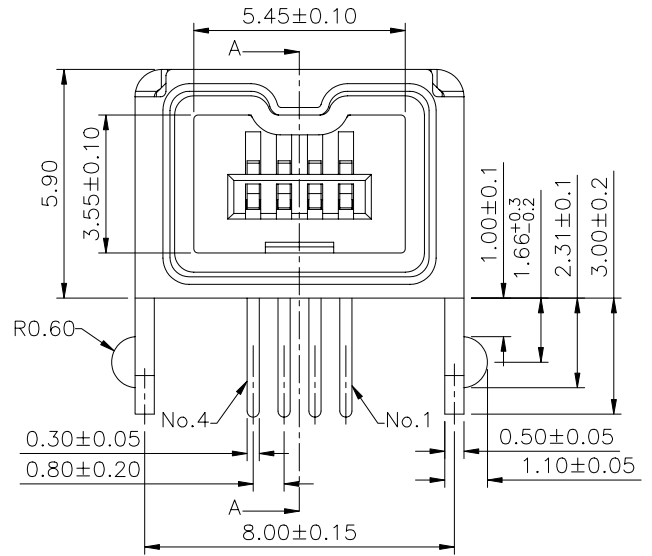
SPECIFICATION
 Housing:LCP+30%GF UL94V-0,Black
 Contact:Phosphor Bronze,Gold Plated On Contact Area
 Tin Plated On Solder Tail Area
 Nickel Underplated Overall
 Shell:Steel,Nickel Plated
 Lock Shell:SUS304
 PCB Thickness:1.6mm
 RoHS Compliant



Section A-A



Recommended PCB Layout
Component Side



AUK A MEMBER OF AUK GROUP
太聯事業股份有限公司
AUK CONTRACTORS CO., LTD.

CATEGORY		APPROVED BY		UNLESS OTHERWISE SPECIFIED TOLERANCES ARE .X ±0.25 .X* ±3.0* .XX ±0.15 .XX* ±2.0* .XXX ±0.05 .XXX* ±1.0*
PART No. FW1X04SR-2-H		MEI		
DRAWING No. FW1X04SR-2-H		HZF		
SCALE		XYH		
SCALE	NONE	REV.	A0	UNIT mm

NO.	REV.	REVISIONS	CHK	DATE
△	A0	NEW RELEASE	HZF	11/15/2008