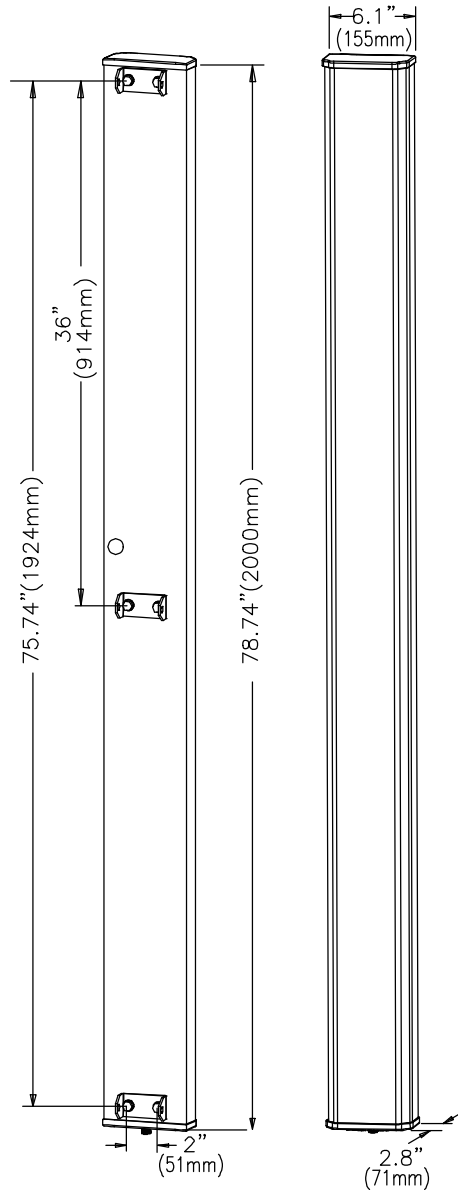


DB983H65(E/N/A/B)-M

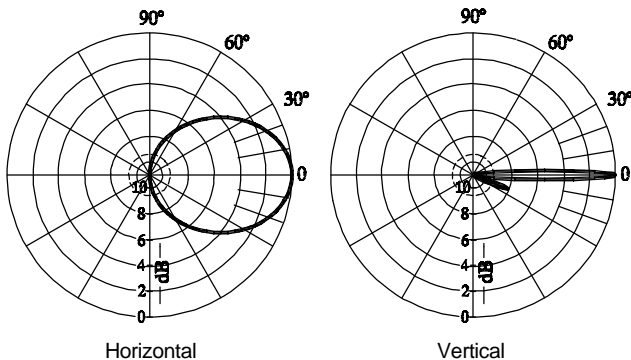
65°, 18 dBd Directional Antenna
1850-1990 MHz

65°

Model Number	DB983H65E-M	DB983H65N-M
	DB983H65A-M	DB983H65B-M
Connector Options	Bottom: E = 7-16 DIN N = Type N Female Back: A = 7-16 DIN B = Type N Female	
Frequency Range	1850 - 1990 MHz	
Gain	18 dBd (20.1 dBi)	
VSWR	< 1.4 : 1	
Beamwidth (3dB from max)	Horizontal: 65° ± 3° Vertical: 4° ± .5°	
Front to Back Ratio	> 25 dB	
Polarization	Vertical	
Max. Input Power	250 Watts	
Application	PCS	
Weight	12 lbs (5.4 kg)	
Wind Area	3.3 ft ² (.31 m ²)	
Wind Load	132 lbf (587 N) 59.3 kp (at 100 mph)	
Max. Wind Speed	165 mph (266 km/h)	
Material	Reflector Screen: Pass. Aluminum	Radiators: Brass
	Radome: PVC, UV Resistant	Mtg. Hardware: Galvanized Steel
Color	Normal Gray	
Mounting	DB390 pipe mount kit, included	
Downtilt Brackets (Optional)	DB5098-3	
Wall/Azimuth Brackets (Optional)	DB5094-AZ (attach at top and bottom)	
Weather Protection	Fully protected by backplate and radome.	
Lightning Protection	All metal parts grounded.	
Packing Size	84" x 7" x 6" (213 x 18 x 15 cm)	
Shipping Weight	17 lbs (7.7 kg)	



Antenna Patterns



18 dBd (20.1 dBi) Panel Antenna
with 65° horizontal 3 dB beamwidth
for 1850-1990 MHz.

Electrical Downtilt (T) Option

Model Number	Downtilt	Gain (Main Lobe)
983H65T2(E/N/A/B)-M	2°	18 dBd

Specifications are for reference only.

099111-001-E 07/00



DECIBEL PRODUCTS
A Division of Allen Telecom Inc.

8635 Stemmons Freeway P. O. Box 569610 Dallas, Texas 75356-9610
214 / 631-0310 Fax: 214 / 631-4706

