

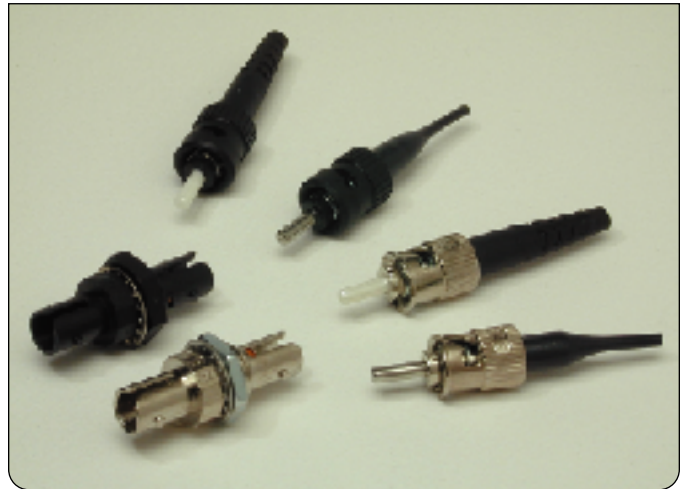
ST Connectors and Adapters

Amphenol's 953 series fiber optic ST and ST II connectors utilize a bayonet style mating concept to provide a secure, robust coupling mechanism. The enclosed spiral slotted coupling nut allows easy insertion in densely packed patch panels. The ST connector has been used extensively in telecom, data and premise installation applications and could easily be considered a de facto standard. The ST's mass installation base will maintain its prominence for years to come.

Amphenol's ST compatible connectors are exceptionally suited for factory and field installations. Special attention has been given to every ST performance parameter, increasing product repeatability and exceeding industry standards. All ST products are compatible with the AT&T, ST and ST II product series.

Features

- The ST connector body and coupling nut are precision molded with a flame retardant, glass-filled polymer for a durable and light weight product.
- The ST II connector body and coupling nut are precision zinc die-cast and nickel plated for superior strength and corrosion resistance.
- Available with highly concentric precision zirconia ferrules pre-radiused to minimize insertion loss and back reflection.
- The connectors utilize a crimp-on cable retention system for ease of termination and superior load carrying ability.
- Adapters are available with zirconia or phosphor bronze alignment sleeves.



ST Connector & Adapter Family

Common Specifications

Insertion Loss: $\leq 0.15\text{dB}$ typical, singlemode, UPC
 $\leq 0.35\text{dB}$ typical, multimode

Return Loss: super (SPC) $\leq -45\text{dB}^*$
ultra (UPC) $\leq -55\text{dB}^*$

Durability: $< 0.2\text{dB}$ change, 500 mating cycles

Temperature: $< 0.3\text{dB}$ change, -40 to $+85^\circ\text{C}$

Intermateability:

The Amphenol 953 series ST connectors and adapters are optically and mechanically compatible with AT&T/Lucent Technologies ST and ST II connectors and their functional equivalents.

* Performance is polish dependent.

ST Connector Part Numbers

STII Connectors					
Part #	Description	Recommended Cable Diameter	Body and Nut Material	Body Color	Boot Color
953-101-5306	STII Connector , singlemode, 126µm zirconia ferrule	3.0mm or 900µm	die-cast	metallic	black
953-101-5310	STII Connector , multimode, 128µm zirconia ferrule	3.0mm or 900µm	die-cast	metallic	black
953-102-5301	STII Connector, multimode, 128µm stainless steel ferrule	3.0mm or 900µm	die-cast	metallic	black
953-102-5302	STII Connector, multimode, 144µm stainless steel ferrule	3.0mm or 900µm	die-cast	metallic	black
953-102-5303	STII Connector, multimode, 231µm stainless steel ferrule	3.0mm or 900µm	die-cast	metallic	black

*-STII Stainless steel ferrules are available in custom drill-out sizes. Contact Customer Service for additional information.

ST Connectors					
Part #	Description	Recommended Cable Diameter	Body and Nut Material	Body Color	Boot Colors
953-101-5006	ST Connector, singlemode, 126µm zirconia ferrule	3.0mm or 900µm	plastic	yellow	black
953-101-5010	ST Connector, multimode, 128µm zirconia ferrule	3.0mm or 900µm	plastic	black	black
953-102-5001	ST Connector, multimode, 128µm stainless steel ferrule	3.0mm or 900µm	plastic	black	black
953-102-5002	ST Connector, multimode, 144µm stainless steel ferrule	3.0mm or 900µm	plastic	gray	black
953-102-5003	ST Connector, multimode, 231µm stainless steel ferrule	3.0mm or 900µm	plastic	blue	black

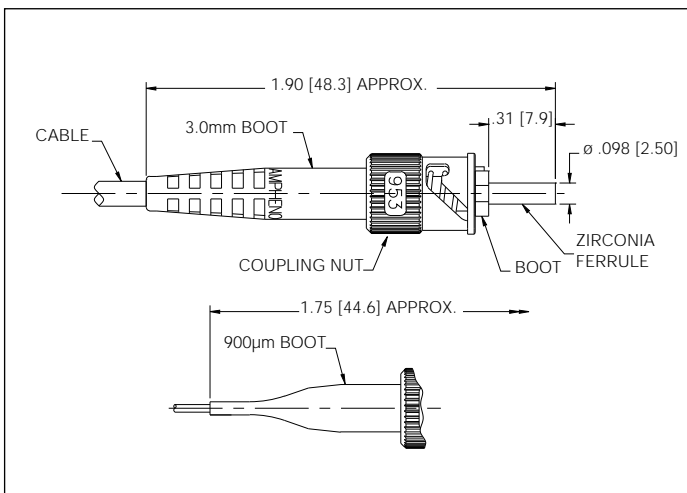
*-ST Stainless steel ferrules are available in custom drill-out sizes. Contact Customer Service for additional information.

ST Adapter Part Numbers

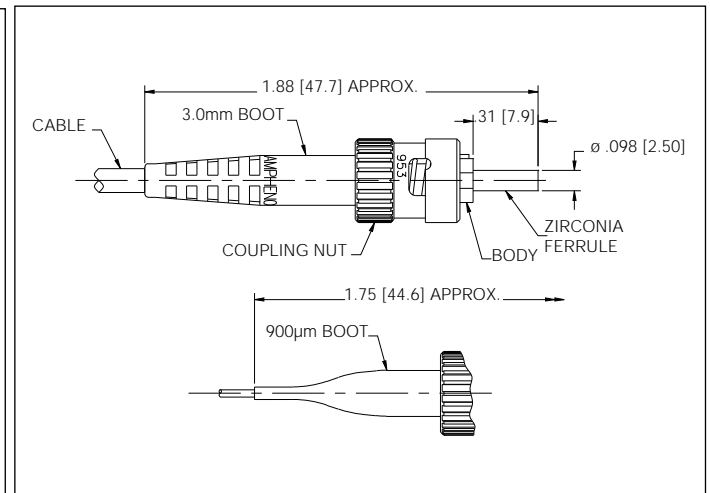
ST Adapters				
Part #	Description	Alignment Sleeve Material	Flange Type	Color
953-120-5000	ST Bulkhead, singlemode adapter, polymer body, D-Hole type	zirconia	feed-through, D-Hole	black
953-120-5003	ST Bulkhead, singlemode adapter, die-cast body, D-Hole type	zirconia	feed-through, D-Hole	metallic
953-122-5002	ST Bulkhead, multimode adapter, polymer body, D-Hole type	phosphor bronze	feed-through, D-Hole	beige
953-122-5003	ST Bulkhead, multimode adapter, die-cast body, D-Hole type	phosphor bronze	feed-through, D-Hole	metallic
954-953-5000	SC-ST Hybrid simplex adapter, singlemode	zirconia	screw mount	blue/black
954-953-5001	SC-ST Hybrid simplex adapter, multimode	phosphor bronze	screw mount	blue/black

Accessories	
953-1061	ST Dust cap with chain

ST Connector Line Drawings



ST II connector with 3.0mm
& bare fiber boot



ST connector with 3.0mm
& bare fiber boot