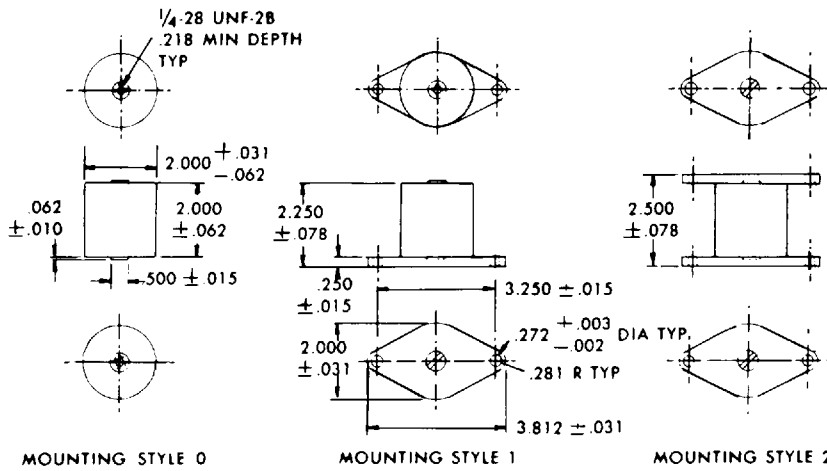
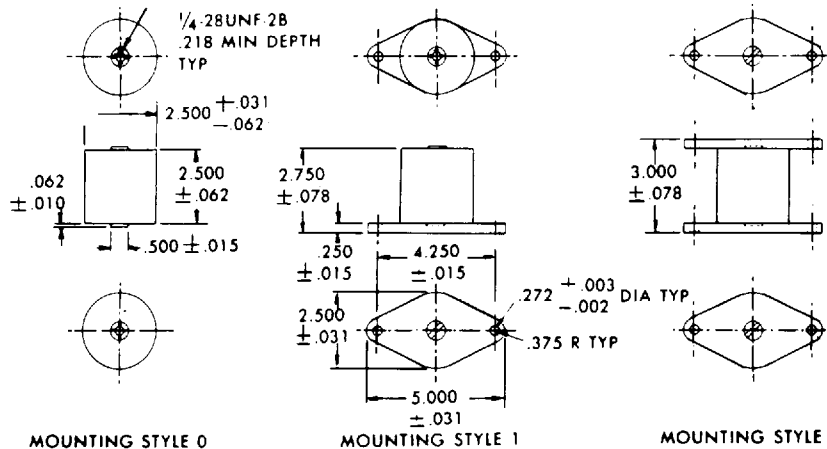


# Types 291-292 Typical Ratings

## Type 291



## Type 292



Type 291							Type 292						
CAPACITANCE (pF)	RATED PEAK VOLTAGE	CATALOG NUMBER	RATED CURRENT AT FREQUENCIES (rms amperes)				RATED PEAK VOLTAGE	CATALOG NUMBER	RATED CURRENT AT FREQUENCIES (rms amperes)				CAPACITANCE (pF)
			3 MHz	1 MHz	.3 MHz	.1 MHz			3 MHz	1 MHz	.3 MHz	.1 MHz	
47	6000	29160B470J0-	2.0	1.2	.51	.16	10000	292100B470J0-	2.7	2.0	.91	.27	47
50	6000	29160B500J0-	2.0	1.3	.56	.18	.....	.....	..	..	..	..	50
51	6000	29160B510J0-	2.0	1.3	.56	.18	10000	292100B510J0-	2.7	2.0	1.0	.30	51
56	6000	29160B560J0-	2.2	1.3	.56	.18	10000	292100B560J0-	3.0	2.2	1.0	.30	56
62	6000	29160B620J0-	2.2	1.5	.62	.20	10000	292100B620J0-	3.3	2.2	1.1	.33	62
68	6000	29160B680J0-	2.4	1.5	.68	.22	10000	292100B680J0-	3.3	2.4	1.2	.33	68
75	6000	29160B750J0-	2.4	1.6	.68	.22	10000	292100B750J0-	3.6	2.4	1.2	.36	75
82	6000	29160B820J0-	2.7	1.8	.75	.24	10000	292100B820J0-	3.6	2.7	1.3	.39	82
91	6000	29160B910J0-	2.7	1.8	.91	.27	10000	292100B910J0-	3.9	2.7	1.5	.43	91
100	6000	29160B101J0-	3.0	2.0	.91	.30	10000	292100B101J0-	4.3	3.0	1.5	.47	100
110	6000	29160B111J0-	3.0	2.2	1.0	.30	10000	292100B111J0-	4.3	3.0	1.6	.51	110
120	6000	29160B121J0-	3.3	2.2	1.0	.33	10000	292100B121J0-	4.7	3.3	1.6	.56	120
130	6000	29160B131J0-	3.3	2.4	1.1	.36	10000	292100B131J0-	4.7	3.6	1.8	.62	130
150	6000	29160B151J0-	3.6	2.4	1.2	.39	10000	292100B151J0-	5.1	3.6	1.8	.62	150
160	6000	29160B161J0-	3.9	2.7	1.3	.43	10000	292100B161J0-	5.1	3.9	2.0	.75	160
180	6000	29160B181J0-	4.3	3.0	1.5	.47	10000	292100B181J0-	5.6	4.3	2.2	.82	180
200	6000	29160B201J0-	4.3	3.0	1.5	.51	10000	292100B201J0-	6.2	4.3	2.4	.82	200
220	6000	29160B221J0-	4.7	3.3	1.6	.56	10000	292100B221J0-	6.2	4.7	2.4	.91	220
240	6000	29160B241J0-	4.7	3.6	1.8	.62	10000	292100B241J0-	6.8	5.1	2.7	1.0	240
250	..	.....	..	..	..	..	10000	292100B251J0-	6.8	5.1	2.7	1.0	250

# Types 291-292 Typical Ratings

Type 291							Type 292						
CAPACITANCE (pF)	RATED PEAK VOLTAGE	CATALOG NUMBER	RATED CURRENT AT FREQUENCIES (rms amperes)				RATED PEAK VOLTAGE	CATALOG NUMBER	RATED CURRENT AT FREQUENCIES (rms amperes)				CAPACITANCE (pF)
			3 MHz	1 MHz	.3 MHz	.1 MHz			3 MHz	1 MHz	.3 MHz	.1 MHz	
270	6000	29160B271J0-	5.1	3.6	2.0	.62	10000	292100B271J0-	6.8	5.1	2.7	1.0	270
300	6000	29160B301J0-	5.1	3.9	2.0	.68	10000	292100B301J0-	7.5	5.6	3.0	1.1	300
330	6000	29160B331J0-	5.6	4.3	2.2	.75	10000	292100B331J0-	7.5	5.6	3.0	1.2	330
360	6000	29160B361J0-	6.2	4.3	2.4	.75	10000	292100B361J0-	8.2	6.2	3.6	1.2	360
390	6000	29160B391J0-	6.2	4.7	2.7	.82	10000	292100B391J0-	8.2	6.2	3.6	1.3	390
400	6000	29160B401J0-	6.2	4.7	2.7	.82	.....	.....	.....	.....	.....	.....	400
430	6000	29160B431J0-	6.8	4.7	2.7	.82	10000	292100B431J0-	9.1	6.2	3.6	1.3	430
470	6000	29160B471J0-	6.8	5.1	3.0	.91	10000	292100B471J0-	9.1	6.8	3.9	1.5	470
500	6000	29160B501J0-	6.8	5.1	3.0	1.0	10000	292100B501J0-	9.1	6.8	3.9	1.6	500
510	6000	29160B511J0-	6.8	5.1	3.0	1.0	10000	292100B511J0-	9.1	6.8	3.9	1.6	510
560	6000	29160B561J0-	7.5	5.6	3.3	1.1	10000	292100B561J0-	10.0	7.5	4.3	1.6	560
620	6000	29160B621J0-	8.2	6.2	3.6	1.2	10000	292100B621J0-	11.0	8.2	4.7	1.8	620
680	6000	29160B681J0-	8.2	6.2	3.9	1.3	10000	292100B681J0-	11.0	8.2	4.7	1.8	680
750	6000	29160B751J0-	8.2	6.8	3.9	1.5	10000	292100B751J0-	11.0	8.2	5.1	2.0	750
820	6000	29160B821J0-	9.1	6.8	4.3	1.5	10000	292100B821J0-	12.0	9.1	5.1	2.2	820
910	6000	29160B911J0-	9.1	7.5	4.7	1.6	10000	292100B911J0-	12.0	9.1	5.6	2.2	910
1000	6000	29160B102J0-	10.0	7.5	5.1	1.8	10000	292100B102J0-	12.0	10.0	6.2	2.4	1000
1100	6000	29160B112J0-	10.0	8.2	5.1	2.0	10000	292100B112J0-	13.0	10.0	6.2	2.7	1100
1200	6000	29160B122J0-	11.0	8.2	5.6	2.2	10000	292100B122J0-	15.0	11.0	6.8	2.7	1200
1300	6000	29160B132J0-	11.0	9.1	6.2	2.2	10000	292100B132J0-	15.0	11.0	6.8	2.7	1300
1500	6000	29160B152J0-	12.0	9.1	6.2	2.4	10000	292100B152J0-	15.0	12.0	7.5	3.0	1500
1600	6000	29160B162J0-	12.0	10.0	6.8	2.7	10000	292100B162J0-	16.0	12.0	7.5	3.3	1600
1800	6000	29160B182J0-	13.0	11.0	7.5	3.0	10000	292100B182J0-	16.0	13.0	8.2	3.6	1800
2000	6000	29160B202J0-	13.0	11.0	7.5	3.3	10000	292100B202J0-	16.0	13.0	8.2	3.6	2000
2200	6000	29160B222J0-	13.0	12.0	8.2	3.6	8000	29280B222J0-	18.0	13.0	9.1	3.9	2200
2400	6000	29160B242J0-	15.0	13.0	9.1	3.9	8000	29280B242J0-	18.0	15.0	10.0	4.3	2400
2700	6000	29160B272J0-	15.0	13.0	9.1	3.9	8000	29280B272J0-	18.0	15.0	10.0	4.3	2700
3000	6000	29160B302J0-	15.0	13.0	9.1	4.3	8000	29280B302J0-	18.0	16.0	10.0	4.7	3000
3300	6000	29160B332J0-	15.0	15.0	10.0	4.7	8000	29280B332J0-	20.0	16.0	11.0	4.7	3300
3600	6000	29160B362J0-	16.0	15.0	11.0	5.1	8000	29280B362J0-	20.0	18.0	11.0	5.1	3600
3900	6000	29160B392J0-	16.0	15.0	11.0	5.6	8000	29280B392J0-	20.0	18.0	12.0	5.6	3900
4000	6000	29160B402J0-	16.0	15.0	11.0	5.6	8000	29280B402J0-	20.0	18.0	12.0	5.6	4000
4300	6000	29160B432J0-	16.0	15.0	11.0	5.6	8000	29280B432J0-	20.0	18.0	12.0	5.6	4300
4700	6000	29160B472J0-	16.0	16.0	12.0	6.2	6000	29260B472J0-	20.0	20.0	13.0	6.2	4700
5000	6000	29160B502J0-	16.0	16.0	12.0	6.2	6000	29260B502J0-	20.0	20.0	13.0	6.2	5000
5100	4000	29140B512J0-	16.0	16.0	12.0	6.2	6000	29260B512J0-	20.0	20.0	13.0	6.2	5100
5600	4000	29140B562J0-	16.0	18.0	13.0	6.8	5000	29250B562J0-	20.0	20.0	13.0	6.8	5600
6000	4000	29140B602J0-	16.0	18.0	13.0	7.5	5000	29250B602J0-	20.0	22.0	15.0	6.8	6000
6200	4000	29140B622J0-	16.0	18.0	13.0	7.5	5000	29250B622J0-	20.0	22.0	15.0	6.8	6200
6800	4000	29140B682J0-	16.0	18.0	13.0	7.5	5000	29250B682J0-	20.0	22.0	15.0	7.5	6800
7500	4000	29140B752J0-	18.0	18.0	13.0	7.5	5000	29250B752J0-	20.0	22.0	15.0	7.5	7500
8200	4000	29140B822J0-	18.0	20.0	15.0	8.2	5000	29250B822J0-	20.0	24.0	16.0	8.2	8200
9100	4000	29140B912J0-	18.0	20.0	15.0	8.2	5000	29250B912J0-	20.0	24.0	16.0	8.2	9100
10000	4000	29140B103J0-	18.0	20.0	15.0	9.1	5000	29250B103J0-	20.0	24.0	18.0	9.1	10000
11000	4000	29140B113J0-	18.0	20.0	15.0	9.1	5000	29250B113J0-	20.0	27.0	18.0	9.1	11000
12000	3000	29130B123J0-	18.0	20.0	16.0	9.1	4000	29240B123J0-	20.0	27.0	18.0	10.0	12000
13000	3000	29130B133J0-	18.0	20.0	16.0	10.0	4000	29240B133J0-	20.0	27.0	20.0	10.0	13000
15000	3000	29130B153J0-	18.0	20.0	16.0	10.0	4000	29240B153J0-	20.0	27.0	20.0	11.0	15000
16000	3000	29130B163J0-	18.0	20.0	16.0	10.0	4000	29240B163J0-	20.0	27.0	20.0	11.0	16000
18000	2000	29120B183J0-	18.0	20.0	16.0	11.0	3000	29230B183J0-	20.0	30.0	20.0	12.0	18000
20000	2000	29120B203J0-	18.0	22.0	18.0	11.0	3000	29230B203J0-	20.0	30.0	22.0	13.0	20000
22000	2000	29120B223J0-	18.0	22.0	18.0	11.0	3000	29230B223J0-	20.0	30.0	22.0	13.0	22000
24000	2000	29120B243J0-	18.0	22.0	18.0	12.0	3000	29230B243J0-	20.0	33.0	24.0	13.0	24000
27000	2000	29120B273J0-	18.0	22.0	18.0	12.0	3000	29230B273J0-	20.0	33.0	24.0	13.0	27000
30000	1500	29115B303J0-	18.0	22.0	18.0	12.0	2000	29220B303J0-	20.0	33.0	24.0	15.0	30000
33000	1500	29115B333J0-	18.0	22.0	20.0	13.0	2000	29220B333J0-	20.0	33.0	24.0	15.0	33000
36000	1500	29115B363J0-	18.0	22.0	20.0	13.0	2000	29220B363J0-	20.0	33.0	27.0	16.0	36000
39000	1500	29115B393J0-	18.0	22.0	20.0	13.0	2000	29220B393J0-	20.0	36.0	27.0	16.0	39000
43000	1500	29115B433J0-	18.0	22.0	22.0	13.0	2000	29220B433J0-	20.0	36.0	27.0	16.0	43000
47000	1500	29115B473J0-	18.0	22.0	22.0	15.0	2000	29220B473J0-	20.0	36.0	27.0	18.0	47000
51000	1500	29115B513J0-	18.0	22.0	22.0	15.0	2000	29220B513J0-	20.0	36.0	30.0	18.0	51000
56000	1500	29115B563J0-	18.0	22.0	22.0	15.0	2000	29220B563J0-	20.0	36.0	30.0	18.0	56000
62000	1500	29115B623J0-	18.0	22.0	22.0	16.0	2000	29220B623J0-	20.0	39.0	30.0	18.0	62000
68000	1500	29115B683J0-	18.0	22.0	22.0	16.0	2000	29220B683J0-	20.0	39.0	33.0	20.0	68000
75000	1000	29110B753J0-	18.0	22.0	22.0	16.0	1500	29215B753J0-	20.0	39.0	33.0	20.0	75000
82000	1000	29110B823J0-	18.0	22.0	22.0	16.0	1500	29215B823J0-	20.0	39.0	33.0	20.0	82000
91000	1000	29110B913J0-	18.0	22.0	22.0	16.0	1500	29215B913J0-	20.0	39.0	33.0	20.0	91000
100000	1000	29110B104J0-	18.0	22.0	22.0	18.0	1500	29215B104J0-	20.0	39.0	36.0	20.0	100000