



---

The following document contains information on Cypress products. Although the document is marked with the name "Spansion" and "Fujitsu", the company that originally developed the specification, Cypress will continue to offer these products to new and existing customers.

#### **Continuity of Specifications**

There is no change to this document as a result of offering the device as a Cypress product. Any changes that have been made are the result of normal document improvements and are noted in the document history page, where supported. Future revisions will occur when appropriate, and changes will be noted in a document history page.

#### **Continuity of Ordering Part Numbers**

Cypress continues to support existing part numbers. To order these products, please use only the Ordering Part Numbers listed in this document.

#### **For More Information**

Please contact your local sales office for additional information about Cypress products and solutions.

#### **About Cypress**

Cypress (NASDAQ: CY) delivers high-performance, high-quality solutions at the heart of today's most advanced embedded systems, from automotive, industrial and networking platforms to highly interactive consumer and mobile devices. With a broad, differentiated product portfolio that includes NOR flash memories, F-RAM™ and SRAM, Traveo™ microcontrollers, the industry's only PSoC® programmable system-on-chip solutions, analog and PMIC Power Management ICs, CapSense® capacitive touch-sensing controllers, and Wireless BLE Bluetooth® Low-Energy and USB connectivity solutions, Cypress is committed to providing its customers worldwide with consistent innovation, best-in-class support and exceptional system value.

# 32-Bit Microcontroller

CMOS

## FR60 MB91307 Series

# MB91306R/MB91307R

### ■ DESCRIPTION

The FUJITSU MICROELECTRONICS FR family of single-chip microcontrollers using a 32-bit high-performance RISC CPU, with a variety of built-in I/O resources and bus control mechanisms for built-in control applications requiring high-capability, high-speed CPU processing. External bus access is assumed in order to support the expanded address space accessible by the 32-bit CPU, and a 1K bytes cache memory plus large RAM are provided for high-speed execution of CPU instructions.

This microcontroller is ideal for built-in applications such as DVD players, navigation systems, high-capability FAX and printer control that demand high-capability CPU processing power.

The MB91307 series is a FR60 family product based on the FR30/40 family CPU with enhanced bus access for higher speed operation.

### ■ FEATURES

#### FR CPU

- 32-bit RISC, load/store architecture, 5-stage pipeline
- Operating frequency 66MHz [with PLL: base frequency 16.5 MHz]
- 16-bit fixed length instructions (basic instructions), 1 instruction per cycle
- Instructions for built-in applications: memory-to-memory transfer, bit processing, barrel shift etc.
- Instructions adapted for high-level languages: function input/output instructions, register contents multi-load/store instructions

*(Continued)*

For the information for microcontroller supports, see the following web site.

<http://edevic.fujitsu.com/micom/en-support/>

# MB91307 Series

- Easier assembler notation: register interlock function
- Built-in multiplier/instruction level support
  - Signed 32-bit multiplication: 5 cycles
  - Signed 16-bit multiplication: 3 cycles
- Interrupt (PC, PS removal): 6 cycles, 16 priority levels
- Harvard architecture for simultaneous execution of program access and data access
- CPU hold 4-word queue allows advanced instruction fetch function
- 4G bytes expanded memory space enables linear access
- Instruction compatible with FR30/40 family

## Bus Interface

- Operating frequency: Max 33 MHz
- 8- or 16-bit data output
- Built-in pre-fetch buffer
- Unused data/address pins can be used as general-purpose input/output ports
- Fully independent 8-area chip select outputs, can be set in minimum 64K bytes units
- Interface support for many memory types
  - SRAM, ROM/Flash
  - Page mode flash ROM, page mode ROM interface
  - Burst mode flash ROM (select burst length 1, 2, 4, 8)
- Basic bus cycle: 2 cycles
- Programmable by area with automatic wait cycle generation to enable wait insert
- RDY input for external wait cycles
- DMA supports fly-by transfer with independent I/O wait control

## Built-in RAM

- 128K bytes (MB91307R), 64K bytes (MB91306R)
- Accepts writing of data and instruction codes, enabling use as instruction RAM

## Instruction cache

- 1K bytes capacity
- 2-way set associative
- 4-words (16 bytes) per set
- Lock function enables permanent program storage
- Areas not used for instruction cache can be used for RAM

## DMAC (DMA controller)

- 5-channel (3-channel external-to-external)
- 3 transfer sources (external pin, internal peripheral, software)
- Addressing mode with 32-bit full address indication (increment, decrement, fixed)
- Transfer mode (demand transfer / burst transfer / step transfer / block transfer)
- Fly-by transfer support (3 channels between external I/O and external memory)
- Transfer data size selection 8/16/32-bit

## Bit search module (using REALOS)

- Search the location of first "1" or "0" bit, or first changed bit from MSB in one word.

## Reload timer (includes 1 channel for REALOS)

- 16-bit timer: 3 channels
- Internal clock multiplier choice of x2, x8, x32

(Continued)

(Continued)

## UART

- Full duplex double buffer
- 3-channel
- Parity/no parity selection
- Asynchronous (start-stop synchronized), CLK-synchronized communications selection
- Built-in exclusive baud rate timer
- External clock can be used as transfer clock
- Variety of error detection functions (parity, frame, overrun)

## I<sup>2</sup>C interface

- Master/slave sending and receiving
- Clock synchronization function
- Transfer direction detection function
- Bus error detection function
- Operates in standard mode (Max 100 Kbps) or high speed mode (Max 400 Kbps)
- Arbitration function
- Slave address/general call address detection function
- Start condition repeat generator and detection function
- 10-bit/7-bit slave address

## Interrupt controller

- Total of 9 external interrupts: 1 non-maskable interrupt pin ( $\overline{\text{NMI}}$ ) and 8 normal interrupt pins INT7-INT0
- Interrupt from internal peripheral devices
- Programmable priority settings (16 levels) enabled, except for non-maskable interrupt
- Can be used for wake-up from stop mode

## A/D converter

- 10-bit resolution, 4-channel
- Sequential comparator type, conversion time approx. 5.4  $\mu\text{s}$
- Conversion modes: single conversion mode, continuous conversion mode
- Startup source: software / external trigger / timer output signal

## Other interval timers

- 16-bit timer with 3 channels (U-timer)
- Watchdog timer

## I/O port

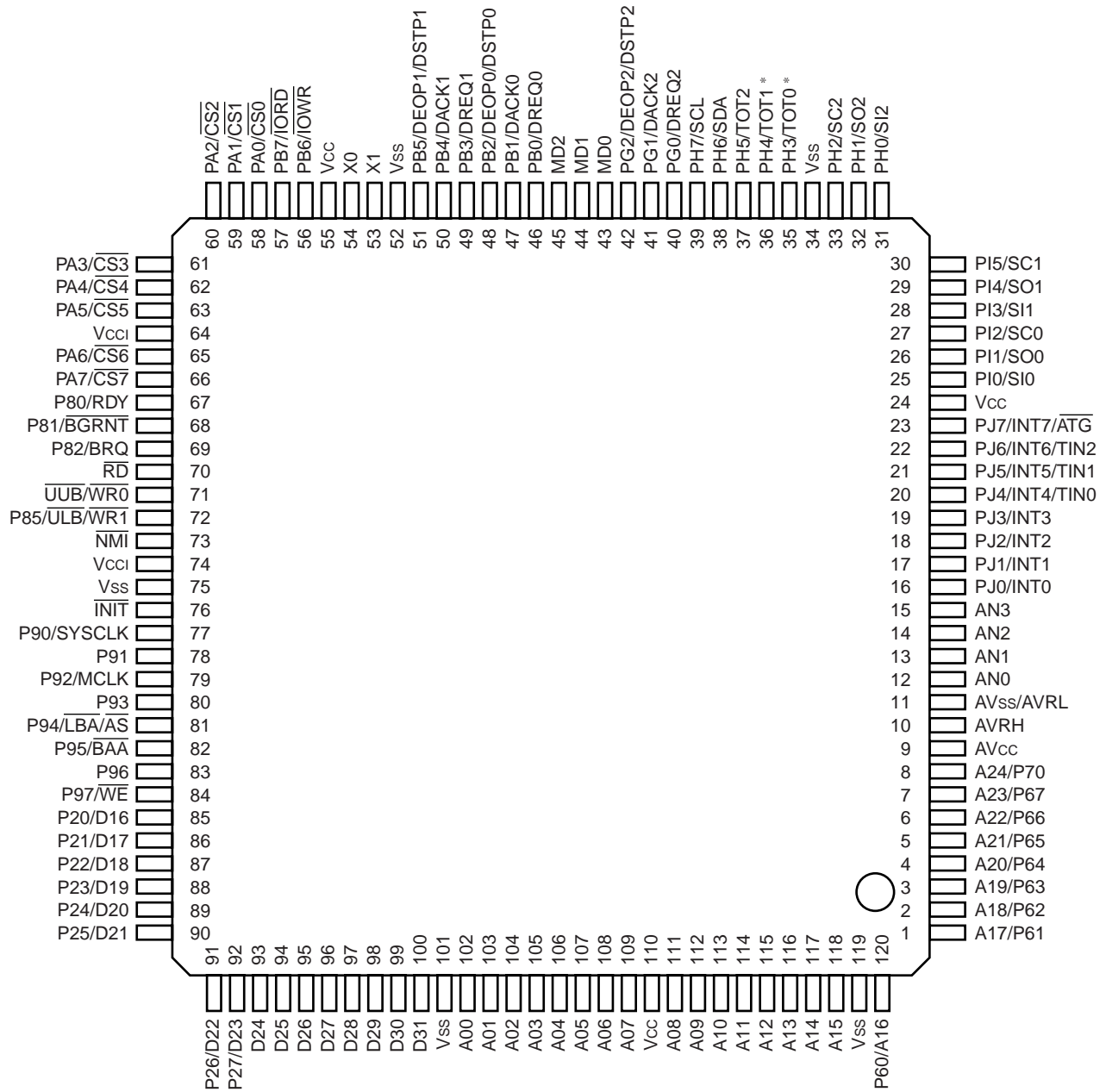
- Maximum 69 ports

## Other features

- Built-in oscillator circuit for clock source, PLL multiplier selection enabled
- $\overline{\text{INIT}}$  reset pin
- Also included: watchdog timer reset, software reset
- Power-saving modes: stop mode, sleep mode supported
- Gear functions
- Built-in time base timer
- Packages: LQFP-120 (FPT-120P-M21) : MB91306R, MB91307R  
: MB91V307R (Evaluation products)
- CMOS technology : 0.25  $\mu\text{m}$  : MB91V307R, 0.18  $\mu\text{m}$  : MB91306R, MB91307R
- Supply voltage : MB91V307R : 3.3 V  $\pm$  0.3 V (built-in regulator 3.3 V  $\rightarrow$  2.5 V)  
: MB91306R, MB91307R : 3.3 V  $\pm$  0.3 V, 1.8V  $\pm$  0.15 V dual power supplies

# MB91307 Series

## PIN ASSIGNMENT



FPT-120P-M21

\* : "L" level output after initialization and reset

## ■ PIN DESCRIPTIONS

Pin no.	Pin name	I/O circuit type	Description
85 to 92	D16 to D23	C	External data bus bit 16 to bit 23 Valid only in external bus 16-bit mode.
	P20 to P27		These pins can be used as ports in external bus 8-bit mode
93 to 100	D24 to D31	C	External data bus bit 24 to bit 31
102 to 109	A00 to A07	F	External address output bit0 to bit7
111 to 118	A08 to A15	F	External address output bit8 to bit15
120, 1 to 7	A16 to A23	F	External address output bit16 to bit23
	P60 to P67		These pins can be used as ports according to setting
8	A24	F	External data bus output bit24
	P70		This pin can be used as a port according to setting
9	AV <sub>cc</sub>	—	Power supply pin. Analog power supply for A/D converter
10	AVRH	—	A/D converter reference voltage supply
11	AV <sub>ss</sub> /AVRL	—	Power supply pin. Analog power supply for A/D converter
12 to 15	AN0 to AN3	D	A/D converter reference voltage supply. Analog input pin.
16 to 19	INT0 to INT3	I	External interrupt input. When the corresponding external interrupt is enabled, this input is in use at all times, so that output from other functions must be stopped unless used intentionally
	PJ0 to PJ3		General purpose input/output port
20 to 22	TIN0 to TIN2	I	Reload timer input. When the corresponding timer input is enabled, this input is in use at all times, so that output from other functions must be stopped unless used intentionally.
	INT4 to INT6		External interrupt input. When the corresponding external interrupt is enabled, this input is in use at all times, so that output from other functions must be stopped unless used intentionally.
	PJ4 to PJ6		General purpose input/output port
23	$\overline{ATG}$	I	A/D converter external trigger input. When selected as an A/D start source, this input is in use at all times, so that output from other functions must be stopped unless used intentionally.
	INT7		External interrupt input. When the corresponding external interrupt is enabled, this input is in use at all times, so that output from other functions must be stopped unless used intentionally.
	PJ7		General purpose input/output port
25	SI0	F	UART0 data input. When the UART0 channel is in input operation, this input is in use at all times, so that output from other functions must be stopped unless used intentionally.
	PI0		General purpose input/output port.
26	SO0	F	UART0 data output. This function is valid when the UART0 data output function setting is disabled.
	PI1		General purpose input/output port. This function is valid when the UART0 data output function setting is disabled.

(Continued)

# MB91307 Series

Pin no.	Pin name	I/O circuit type	Description
27	SC0	F	UART0 clock output. The clock output is valid when the UART0 clock output function setting is enabled.
	PI2		General purpose input/output port. This function is valid when the UART0 clock output function is disabled.
28	SI1	F	UART1 data input. When UART1 is set for input operation, this input is in use at all times, so that output from other functions must be stopped unless used intentionally.
	PI3		General purpose input/output port.
29	SO1	F	UART1 data output. This function is enabled when the UART1 data output function setting is enabled.
	PI4		General purpose input/output port. This function is valid when the UART1 data output function setting is disabled.
30	SC1	F	UART1 clock input/output. The clock output is enabled when the UART1 clock output function setting is enabled.
	PI5		General purpose input/output port. This function is valid when the UART1 clock output function setting is disabled.
31	SI2	F	UART2 data input. When UART2 is set for input operation, this input is in use at all times, so that output from other functions must be stopped unless used intentionally.
	PH0		General purpose input/output port.
32	SO2	F	UART2 data output. This function is enabled when the UART2 data output function setting is enabled.
	PH1		General purpose input/output port. This function is enabled when the UART2 data output function setting is disabled.
33	SC2	F	UART2 clock input/output. The clock output is enabled when the UART2 clock output function setting is enabled.
	PH2		General purpose input/output port. This function is enabled when the UART2 clock output function is disabled.
35	TOT0	C	Timer output port. This function is valid when the timer output setting is enabled.
	PH3		General purpose input/output port. This pin outputs an "L" level signal at reset.
36	TOT1	C	Timer output port. This function is valid when the timer output setting is enabled.
	PH4		General purpose input/output port. This pin outputs an "L" level signal at reset.
37	TOT2	C	Timer output port. This function is valid when the timer output is enabled.
	PH5		General purpose input/output port.

(Continued)

Pin no.	Pin name	I/O circuit type	Description
38	SDA	Q	I <sup>2</sup> C bus input/output port. This function is valid when I <sup>2</sup> C operation is enabled. When the I <sup>2</sup> C bus is in use, the port output must be set to Hi-Z level. When the I <sup>2</sup> C bus is in use, this is an open drain pin.
	PH6		General purpose input/output port.
39	SCL	Q	I <sup>2</sup> C bus input/output port. This function is valid when I <sup>2</sup> C operation is enabled. When the I <sup>2</sup> C bus is in use, the port output must be set to Hi-Z level. When the I <sup>2</sup> C bus is in use, this is an open drain pin.
	PH7		General purpose input/output port.
40	DREQ2	F	DMA external transfer request input. When selected as a DMA startup source, this input is in use at all times, so that output from other functions must be stopped unless used intentionally.
	PG0		General purpose input/output port.
41	DACK2	F	DMA external transfer request acknowledge output. This function is valid when the DMA transfer request acknowledge output setting is enabled.
	PG1		General purpose input/output port. This function is valid when the DMA transfer request acknowledge output setting is enabled.
42	DEOP2	F	DMA external transfer end output. This function is valid when the DMA external transfer end output setting is enabled.
	DSTP2		DMA external transfer stop input. This function is valid when the DMA external transfer stop input setting is enabled.
	PG2		General purpose input/output port. This function is valid when the DMA external transfer end output selection and the DMA external transfer stop input selection are disabled.
43 to 45	MD2 to MD0	G	Mode pins 2 to 0. The setting of these two pins determines the basic operating mode. They should be connected to V <sub>cc</sub> or V <sub>ss</sub> .
46	DREQ0	F	DMA external transfer request input. When selected as a DMA startup source, this input is in use at all times, so that output from other functions must be stopped unless used intentionally.
	PB0		General purpose input/output port.
47	DACK0	F	DMA external transfer request acknowledge output. This function is valid when the DMA transfer request acknowledge output setting is enabled.
	PB1		General purpose input/output port. This function is enabled when the DMA transfer request acknowledge output setting is disabled.
48	DEOP0	F	DMA external transfer end output. This function is valid when the DMA external transfer end output setting is enabled.
	DSTP0		DMA external transfer stop input. This function is valid when the DMA external transfer stop input setting is enabled.
	PB2		General purpose input/output port. This function is valid when the DMA external transfer end output selection and the DMA external transfer stop input selection are disabled.

(Continued)

# MB91307 Series

Pin no.	Pin name	I/O circuit type	Description
49	DREQ1	F	DMA external transfer request input. When selected as a DMA startup source, this input is in use at all times, so that output from other functions must be stopped unless used intentionally.
	PB3		General purpose input/output port.
50	DACK1	F	DMA external transfer request acknowledge output. This function is valid when the DMA transfer request acknowledge output setting is enabled.
	PB4		General purpose input/output port. This function is enabled when the DNA transfer request acknowledge output setting is disabled.
51	DEOP1	F	DMA external transfer end output. This function is valid when the DMA external transfer end output setting is enabled.
	DSTP1		DMA external transfer stop input. This function is valid when the DMA external transfer stop input setting is enabled.
	PB5		General purpose input/output port. This function is valid when the DMA external transfer end output selection and the DMA external transfer stop input selection are disabled.
53	X1	A	Clock (oscillator) output
54	X0		Clock (oscillator) input
56	$\overline{\text{IOWR}}$	F	Write strobe output for DMA fly-by transfer. This function is valid when the DMA fly-by transfer write strobe output setting is enabled.
	PB6		General purpose input/output port. This function is valid when the DMA fly-by transfer write strobe output setting is disabled.
57	$\overline{\text{IORD}}$	F	Read strobe output for DMA fly-by transfer. This function is valid when the DMA fly-by transfer read strobe output setting is enabled.
	PB7		General purpose input/output port. This function is valid when the DMA fly-by transfer read strobe output setting is disabled.
58	CS0	F	Chip select output. This function is valid when the chip select 0 output setting is enabled.
	PA1		General purpose input/output port. This function is valid when the chip select 0 output setting is disabled.
59	CS1	F	Chip select output. This function is valid when the chip select 1 output setting is enabled.
	PA1		General purpose input/output port. This function is valid when the chip select 1 output setting is disabled.
60	CS2	F	Chip select output. This function is valid when the chip select 2 output setting is enabled.
	PA2		General purpose input/output port. This function is valid when the chip select 2 output setting is disabled.
61	CS3	F	Chip select output. This function is valid when the chip select 3 output setting is enabled.
	PA3		General purpose input/output port. This function is valid when the chip select 3 output setting is disabled.

(Continued)

Pin no.	Pin name	I/O circuit type	Description
62	CS4	F	Chip select output. This function is valid when the chip select 4 output setting is enabled.
	PA4		General purpose input/output port. This function is valid when the chip select 4 output setting is disabled.
63	CS5	F	Chip select output. This function is valid when the chip select 5 output setting is enabled.
	PA5		General purpose input/output port. This function is valid when the chip select 5 output setting is disabled.
64	V <sub>cc1</sub>	—	Internal Power supply pin (1.8 V power supply) .
65	CS6	F	Chip select output. This function is valid when the chip select 6 output setting is enabled.
	PA6		General purpose input/output port. This function is valid when the chip select 6 output setting is disabled.
66	CS7	F	Chip select output. This function is valid when the chip select 7 output setting is enabled.
	PA7		General purpose input/output port. This function is valid when the chip select 7 output setting is disabled.
67	RDY	C	External ready signal input. This function is valid when the external ready input setting is enabled.
	P80		General purpose input/output port. This function is valid when the external ready input setting is disabled.
68	$\overline{\text{BGRNT}}$	F	External bus open acknowledge output. This pin outputs an L level signal when the external bus is open. This function is valid when the output setting is enabled.
	P81		General purpose input/output port. This function is valid when the output setting is disabled.
69	BRQ	P	External bus open request input. The input value is "1" when the external bus is open. This function is valid when the input setting is enabled.
	P82		General purpose input/output port. This function is valid when the input setting is disabled.
70	$\overline{\text{RD}}$	M	External bus read strobe output.
71	$\overline{\text{WR0}}$ $\overline{\text{UUB}}$	F	External bus write strobe output. Upper side of the 16-bit SRAM input/output mask enable signal. It is valid when the external bus is set to SRAM use. ( $\overline{\text{WE}}$ /P97 function as the write strobe.)
72	$\overline{\text{WR1}}$ $\overline{\text{ULB}}$	F	External bus write strobe output. Lower side of the 16-bit SRAM input/output mask enable signal. It is valid when the external bus is set to SRAM use. ( $\overline{\text{WE}}$ /P97 function as the write strobe.)
	P85		General purpose input/output port. This function is valid when the enable output setting is disabled.

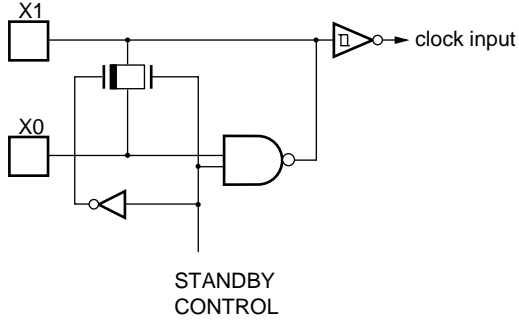
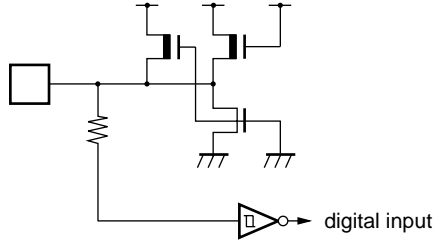
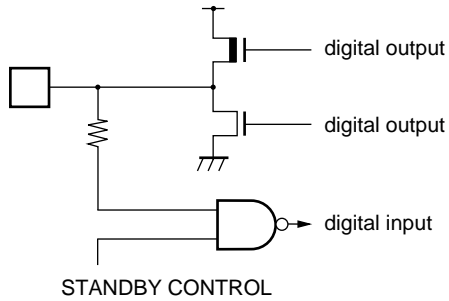
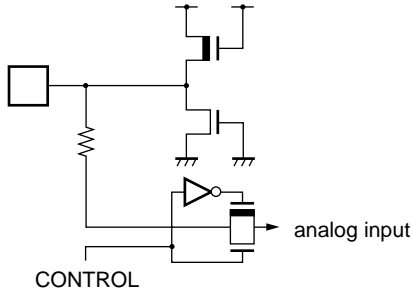
(Continued)

# MB91307 Series

(Continued)

Pin no.	Pin name	I/O circuit type	Description
73	$\overline{\text{NMI}}$	H	$\overline{\text{NMI}}$ request input
74	$V_{\text{CCI}}$	H	Internal Power supply pin(1.8 V power supply)
76	$\overline{\text{INIT}}$	B	External reset input
77	SYSCLK	F	System clock output. This function is valid when the system clock output setting is enabled. The clock signal output is at the same frequency as the external bus operating frequency. Clock output halts in the stop mode or the hardware standby mode.
	P90		General purpose input/output port. This function is enabled when the system clock output setting is disabled.
78	P91	F	General purpose input/output port.
79	MCLK	F	Memory clock output. Clock output halts in the sleep mode, the stop mode or the hardware standby mode.
	P92		General purpose input/output port. This function is enabled when the clock output setting is disabled.
80	P93	F	General purpose input/output port.
81	$\overline{\text{AS}}$	F	Address strobe output. This function is valid when the address strobe output setting is disabled.
	$\overline{\text{LBA}}$		Burst flash ROM address load output. This function is valid when the address load output setting is enabled.
	P94		General purpose input/output port. This function is valid when the address load output and address strobe output settings are disabled.
82	$\overline{\text{BAA}}$	F	Burst flash ROM address advance output. This function is valid when the address advance output setting is enabled.
	P95		General purpose input/output port. This function is valid when the address advance output and column address strobe output settings are disabled.
83	P96	F	General purpose input/output port. This function is enabled when the column address strobe output setting is disabled.
84	$\overline{\text{WE}}$	F	Write strobe output for 16-bit SRAM. This function is enabled when the write strobe output setting is enabled.
	P97		General purpose input/output port. This function is enabled when the write strobe output setting is prohibited.
9	$AV_{\text{CC}}$	—	A/D converter power supply
10	AVRH	—	A/D converter power supply
11	$AV_{\text{SS}}/AV_{\text{RL}}$	—	A/D converter power supply (GND)
24, 55, 110	$V_{\text{CC}}$	—	Power supply pins
34, 52, 75, 101	$V_{\text{SS}}$	—	Power supply pins (GND)

## ■ I/O CIRCUIT TYPE

Type	Circuit	Remarks
A		<ul style="list-style-type: none"> <li>• Oscillator feedback resistance approx. 1 MΩ</li> </ul>
B		<ul style="list-style-type: none"> <li>• CMOS hysteresis input with pull-up resistance (25 kΩ)</li> </ul>
C		<ul style="list-style-type: none"> <li>• CMOS level input/output with standby control</li> </ul>
D		<ul style="list-style-type: none"> <li>• Analog input with switch</li> </ul>

(Continued)

# MB91307 Series

Type	Circuit	Remarks
F	<p>STANDBY CONTROL</p>	<ul style="list-style-type: none"> <li>• CMOS level output</li> <li>• CMOS hysteresis input with standby control</li> </ul>
G		<ul style="list-style-type: none"> <li>• CMOS level input without standby control</li> </ul>
H		<ul style="list-style-type: none"> <li>• CMOS hysteresis input without standby control</li> </ul>
I		<ul style="list-style-type: none"> <li>• CMOS level input</li> <li>• CMOS hysteresis input without standby control</li> </ul>
M		<ul style="list-style-type: none"> <li>• CMOS level input</li> </ul>

(Continued)

(Continued)

Type	Circuit	Remarks
P	<p>The diagram for Type P shows a CMOS level input/output with standby control. It features a digital output, a digital input, a CONTROL signal, and a STANDBY CONTROL signal. The circuit includes a pull-down resistance of 25 kΩ.</p>	<ul style="list-style-type: none"> <li>• CMOS level input/output with standby control with pull-down resistance (25 kΩ)</li> </ul>
Q	<p>The diagram for Type Q shows an open drain output CMOS hysteresis input with standby control. It features an open drain control, a digital output, a digital input, and a STANDBY CONTROL signal.</p>	<ul style="list-style-type: none"> <li>• Open drain output CMOS hysteresis input with standby control</li> </ul>

## ■ HANDLING DEVICES

### ○MB91307 Series

#### ● Preventing Latchup

When CMOS integrated circuit devices are subjected to applied voltages higher than  $V_{CC}$  at input and output pins (other than medium- and high-withstand voltage pins), or to voltages lower than  $V_{SS}$ , as well as when voltages in excess of rated levels are applied between  $V_{CC}$  and  $V_{SS}$ , a phenomenon known as latchup can occur. When a latchup condition occurs, supply current can increase dramatically and may destroy semiconductor elements. In using semiconductor devices, always take sufficient care to avoid exceeding maximum ratings.

#### ● Treatment of unused pins

Do not leave an unused input pin open, since it may cause a malfunction. Handle by, using a pull-up or pull-down resistor.

#### ● About power supply pins

In products with multiple  $V_{CC}$  or  $V_{SS}$  pins, the pins of the same potential are internally connected in the device to avoid abnormal operations including latch-up. However, you must connect the pins to external power supply and a ground line to lower the electro-magnetic emission level, to prevent abnormal operation of strobe signals caused by the rise in the ground level, and to conform to the total output current rating.

Moreover, connect the current supply source with the  $V_{CC}$  and  $V_{SS}$  pins of this device at the low impedance.

It is also advisable to connect a ceramic bypass capacitor of approximately 0.1 mF between  $V_{CC}$  and  $V_{SS}$  near this device.

#### ● Notes on Power-ON/shut-down

Cautions to take when turning on/off  $V_{CCI}$  (1.8-V internal power supply) and  $V_{SS}$  (3.3-V external-pin power supply)

Do not apply  $V_{SS}$  (external) alone continuously (for over an indication of one minute) with  $V_{CCI}$  (internal) disconnected not to cause a reliability problem with the LSI.

When  $V_{SS}$  (external) returns from the OFF state to the ON state, the circuit may fail to hold its internal state, for example, due to power supply noise.

---

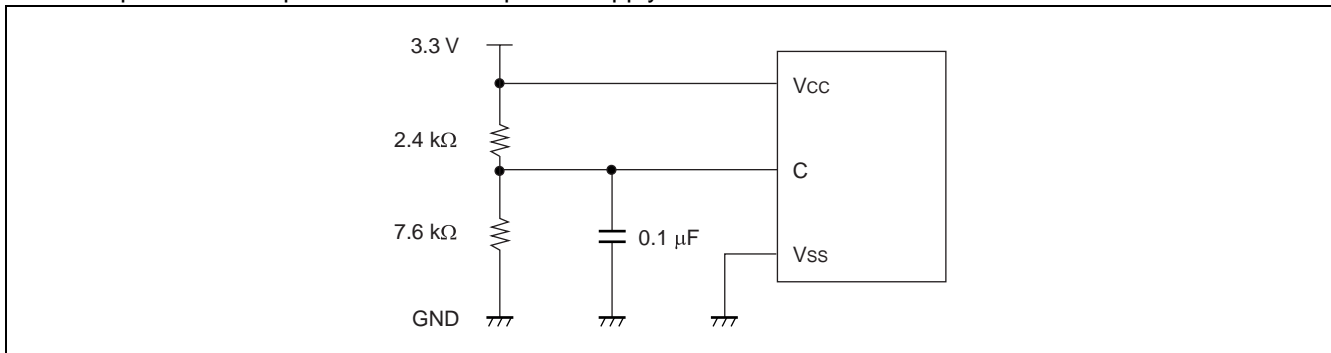
When the power is turned on	$V_{CCI}$ (internal) → $V_{SS}$ (external) → Signal
When the power is turned off	Signal → $V_{SS}$ (external) → $V_{CCI}$ (internal)

---

#### ● Precautions for use of stop mode

The built-in regulator in this device stops operating when the device is in stop mode. In such cases as when increased leak current ( $I_{CCH}$ ) in stop mode, or abnormal operation or power fluctuation due to noise while in operating mode cause the regulator to stop, the internal 2.5 V power supply can fall below the voltage at which operation is assured. Therefore it is necessary when using the internal regulator and stop mode to assure that the external power supply does not fall below 3.3 V. And even if this should occur, the internal regulator can be set to restart when a reset is applied. (In this case the oscillator stabilization wait period should also be set to "L" level.)

- Sample use of Stop Mode with 3.3 V power supply



- About crystal oscillator circuit

Noise near the X0 and X1 pins may cause the device to malfunction. Design the printed circuit board so that X0, X1, the crystal oscillator (or ceramic oscillator), and the bypass capacitor to ground are located as close to the device as possible.

It is strongly recommended to design the PC board artwork with the X0 and X1 pins surrounded by ground plane because stable operation can be expected with such a layout.

- Treatment of NC pins

Any pins marked “NC” (not connected) must be left open.

- About mode pins (MD0 to MD2)

Mode pins (MD0 to MD2) should be connected directly to VCC or VSS.

To prevent the device erroneously switching to test mode due to noise, design the printed circuit board such that the distance between the mode pins and VCC or VSS is as short as possible and the connection impedance is low.

- Operation at startup

Immediately after a power-on startup, always apply a reset initialization (INIT) at the  $\overline{\text{INIT}}$  pin. Also, in order to assure a wait period for the oscillator circuits to stabilize immediately after startup, be sure that the “L” level input to the  $\overline{\text{INIT}}$  pin continues for the required stabilization wait interval. (The INIT cycle for the  $\overline{\text{INIT}}$  pin includes only the minimum setting for the stabilization wait period.)

- Source oscillation input at startup

At power-on startup, always input a clock signal until the oscillator stabilization wait period is ended.

- Caution on operations during PLL clock mode

If the PLL clock mode is selected, the microcontroller attempt to be working with the self-oscillating circuit even when there is no external oscillator or external clock input is stopped. Performance of this operation, however, cannot be guaranteed.

- Precaution on using ports 6 and 7

If one of P60/A15 to P70/A24, which are shared for output of external bus interface addresses, is used as a port, a grid voltage is applied to the port instantaneously when the status of another address output pin is changed. Therefore, add resistors or capacitors to those ports to prevent application of the grid voltage.

# MB91307 Series

- Clock control block

For “L” level input to the  $\overline{\text{INIT}}$  pin, allow for the regulator settling time or oscillation settling time.

- Bit search module

The 0-detection, 1-detection, and transition-detection data registers (BSD0, BSD1, and BSDC) are only word-accessible.

- Prefetch

When accessing a prefetch-enabled little endian area, use word access only (access in 32 bits).

Byte or halfword access results in wrong data read.

- Setting of external bus

The MB91307 series is guaranteed at an external bus frequency of 33 MHz. As the external bus is capable of supporting 66 MHz for future enhancements, the initial value is the same rate as the base clock (determined by the PLL setting) . The external bus is set to 66 MHz if you set the base clock to 66 MHz with the external-bus base clock division setting register (DIVR1) containing the initial value. To change the base clock frequency, set the external bus frequency not exceeding 33 MHz and set the new base clock frequency.

- MCLK and SYSCLK

MCLK causes a stop in SLEEP/STOP mode while SYSCLK causes a stop only in STOP mode. Use either depending on each application.

- I<sup>2</sup>C input/output pin

The SDA and SCL pins of the MB91307 series are pseudo open-drain pins with the P-ch transistor turned off to prevent the “H” level from being output. As the circuit configuration has a diode added to the V<sub>CC</sub> side, therefore, the communication voltage must be adjusted to the 3.3-V power supply of this model (pulled up to a voltage of 3.3 V) .

- Shared port function switching

To switch a pin that also serves as a port, use the port function register (PFR). Note, however, that bus pins are switched depending on external bus settings.

- Pull-up control

Connecting a pull-up resistor to the pin serving as an external bus pin cannot guarantee the AC standard.

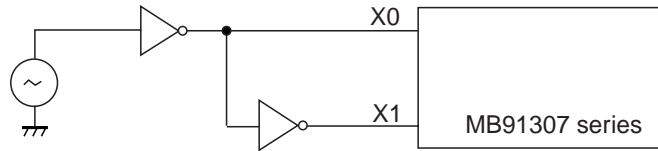
Even the port for which a pull-up resistor has been set is invalid in stop mode with HIZ = 1 or in hardware standby mode.

- I/O port access

Byte access only for access to port

- Remarks for the external clock operation

When selecting the external clock, active X0 pin generally. Also simultaneously the opposite phase clock to X0 must be supplied to X1 pin. When using the clock along with STOP (oscillation stopped) mode, the X1 pin stops when “H” is input in STOP mode. To prevent one output from competing against another, in this case, the stop mode must not be used.



Using external clock (normal)

Note : Stop mode (oscillation stop mode) cannot be used.

- Low-power consumption modes

- To enter the standby mode, use the synchronous standby mode (set with the SYNCS bit as bit 8 in the TBCR, or time-base counter control register) and be sure to use the following sequence:

```

(LDI    #value_of_standby, R0)
(LDI    #_STCR, R12)
STB     R0, @R12           ; Write to standby control register (STCR)
LDUB    @R12, R0          ; Read STCR for synchronous standby
LDUB    @R12, R0          ; Read STCR again for dummy read
NOP     ; NOP x 5 for timing adjustment
NOP
NOP
NOP
NOP
NOP

```

Set the I-flag and the ILM and ICR registers to branch to an interrupt handler when the interrupt handler triggers the microcontroller to return from the standby mode.

- If you use the monitor debugger, follow the precautions below:

Do not set a breakpoint within the above array of instructions.  
Do not single-step the above array of instructions.

- Current at power-on (only for MB91V307R)

About 300 mA of power supply current flows when the power is turned on with  $\overline{\text{INIT}}$  set to 0.

Set  $\overline{\text{INIT}}$  to 1 to stop the overcurrent flowing. After that, the overcurrent will not flow even if  $\overline{\text{INIT}}$  is set to 0.

- Watchdog timer

The watchdog timer function of this model monitors that a program delays a reset within a certain period of time and resets the CPU if the program fails to delay it, for example, because the program runs out of control. Once the watchdog timer function is enabled, therefore, the watchdog timer continues to operate until a reset takes place.

An exception, for example during stop, sleep and DMA transfer modes, is the automatic delaying of a reset under a condition in which the CPU stops program execution.

Note, however, that a watchdog reset may not occur in the above state caused when the system runs out of control. If this is the case, use the external  $\overline{\text{INIT}}$  pin to cause a reset (INIT).

- Terminal and timing control register (TCR) (00000683H)

The terminal and timing control register (TCR) is a write-only register. Therefore, do not access TCR with a bit manipulation instruction.

If you intend to disable sharing of the bus by writing “0” to Bit 7 (BREN bit) of TCR when the bit is “1”, be sure to follow the procedure below. If the procedure is not followed, the device may hang up.

1. Write “0” to Bit 2 (BRQE bit) of the port 8 function register (PFR8).
2. Write “0” to Bit 7 (BREN bit) of TCR.

- $\overline{RD}/\overline{WR} \rightarrow \overline{CS}$  hold extension cycle

Assume that use of the  $\overline{RD}/\overline{WR} \rightarrow \overline{CS}$  hold extension cycle is specified (Bit 0 of AWR is 1) for an area for which the normal memory/IO access type is set (the TYPE3 to TYPE0 bits of ACR are 0xxx). Even in this case, the hold extension cycle might not be inserted when the operation and settings are specified in a specific combination.

The hold extension cycle will not be inserted when the following conditions are met:

- Use of the  $\overline{RD}/\overline{WR} \rightarrow \overline{CS}$  hold extension cycle is specified.  
(Bit 0 [W00 bit] of AWR is 1.)
- A normal memory/IO access type is set for the area.  
(Bits 3 to 0 [TYPE3 to TYPE0 bits] of ACR are 0xxx.)  
Note: The MB91307 series allows only this type to be set.
- Disuse of the address  $\rightarrow \overline{CS}$  delay cycle is specified.  
(Bit 2 [W02 bit] of AWR is 0.)
- A setting (recovery enabled) other than 0 cycle is made for the write recovery cycle.  
(Bits 5 and 4 [W05 and W04 bits] of AWR are other than 00.)  
(Example: First word writing to an external bus 16-bit area)
- If an access is made to write data larger than the bus width to the relevant area under the above conditions, the  $\overline{RD}/\overline{WR}-\overline{CS}$  hold extension cycle is not inserted in any cycle other than the last cycle to write divisions of the data. Therefore, the hold time becomes insufficient.  
Note : This problem does not occur in the read cycle.

To use this function, make either of the following settings:

- Specify the use of the address  $\rightarrow \overline{CS}$  delay cycle.  
(Set 1 for Bit 2 [W02 bit] of AWR.)
- Specify 0 cycle for the write recovery cycle.  
(Set 00 for Bits 5 and 4 [W05 and W04 bits] of AWR.)

- Signed DIVIDE statement (DIVOS)

When the instruction immediately before the instruction of DIVOS is an instruction by which the memory access is done, a correct calculation result might not be obtained.

This is generated under the following conditions.

- When the instruction performs memory accesses just before a DIVOS instruction.

Note : Instructions that performs relevant memory accesses (a total of 58 instructions)

ST Ri, @- R15	ST Rs, @- R15	ST PS, @- R15
STB Ri, @Rj	STB Ri, @ (R13, Rj)	DMOVB R13, @dir8
STB Ri, @ (R14, disp8)	LDUB @Rj, Ri	LD @ (R13, Rj), Ri
LDUH @ (R13, Rj), Ri	LDUB @ (R13, Rj), Ri	DMOV @dir10, R13
DMOVH @dir9, R13	DMOVB @dir8, R13	LD @ (R14, disp10), Ri

LDUH @ (R14, disp9), Ri	LDUB @ (R14, disp8), Ri	AND Rj, @Ri
ANDH Rj, @Ri	ANDB Rj, @Ri	ORB Rj, @Ri
EORB Rj, @Ri	DMOV @R13+, @dir10	DMOVH @R13+, @dir9
DMOVB @R13+, @dir8	DMOV @dir10, @R13+	DMOVH @dir9, @R13+
DMOVB @dir8, @R13+	DMOV @R15+, @dir10	DMOV @dir10, @- R15

- When full trace mode is specified as trace mode and the DIVOS and DIV1 instructions are not 4-byte aligned.
- Even if the DIVOS and DIV1 instructions are 4-byte aligned, perform a D-bus DMA transfer or specify the full trace mode as trace mode if a breakpoint is set in the DIV1 instruction.

Avoid this notes as follows:

- (1) Do not place an instruction that performs memory access before a DIVOS instruction.
- (2) Do not perform a DMA transfer to the D-bus or set full trace mode as trace mode when a DIVOS instruction is specified.

To output the code for avoiding above (1) condition, specify "-@div0s 1" as the compiler option.

SOFTUNE compiler:

- In case of using the SOFTUNE V3: after the SOFTUNE compiler V30L07R07
- In case of using the SOFTUNE V5: after the SOFTUNE compiler V50L04
- In case of using the SOFTUNE V6: after the SOFTUNE compiler V60L01

- DMA demand transfer

In sleep mode, demand transfer is executed only once and processing does not go further. During normal operation, the efficiency of demand transfers may seem to be lowered.

This action occurs only in demand transfers (it does not occur in DREQ edge detection mode or the like).

This is occurred in the following cases:

- A demand transfer by DMAC is performed in sleep mode.
  - After a demand transfer is performed once, processing does not go further although DREQ is input successively.
  - A subsequent transfer is started if the device is released from sleep mode and an external bus operation other than a DMA transfer occurs.
- A demand transfer by DMAC is performed during normal operation.
  - After a demand transfer is performed once, a subsequent transfer is not performed until an external bus access other than a DMA transfer occurs.
  - A demand transfer does not progress while there is no external bus access because cache hitting is performed continuously or internal ROM operation continues.
- A subsequent demand transfer is not started even if an external bus access for prefetching occurs.

Avoid this notes as follows:

- Do not perform a demand transfer by DMAC in sleep mode.
- Do not use sleep mode during a demand transfer by DMAC.

# MB91307 Series

- R15 (General-purpose register)

If one of the instructions listed below is executed, the value of SSP or USP\* is not used as the value of R15 and, as a result, an incorrect value is written to memory. Therefore, the compiler does not generate the following instructions:

AND	R15,@Rj	ANDH	R15,@Rj	ANDB	R15,@Rj
OR	R15,@Rj	ORH	R15,@Rj	ORB	R15,@Rj
EOR	R15,@Rj	EORH	R15,@Rj	EORB	R15,@Rj
XCHB	@Rj,R15				

\* : R15 is an insubstantial register. If R15 is accessed by a program, SSP or USP is accessed according to the state of the S flag of the PS register.

Avoid this notes as follows:

- When programming any of the above 10 instructions by an assembler, specify a general-purpose register in place of R15.
- Executing instructions on RAM
    - If instruction codes are placed in RAM, they should not be placed in the last 8 address bytes 0005 FFF8<sub>H</sub> to 0005 FFFF<sub>H</sub>. (Instruction code prohibited area)

- Notes on the PS register

Since some instructions manipulate the PS register earlier, the following exceptions may cause the interrupt handler to break or the PS flag to update its display setting when the debugger is being used. As the microcontroller is designed to carry out reprocessing correctly upon returning from such an EIT event, it performs operations before and after the EIT as specified in either case.

- The following operations may be performed when the instruction immediately followed by a DIVOU/DIVOS instruction is (a) halted by a user interrupt or NMI, (b) single-stepped, or (c) breaks in response to a data event or emulator menu:
  - (1) D0 and D1 flags are updated earlier.
  - (2) The EIT handler (user interrupt/NMI or emulator) is executed.
  - (3) Upon returning from the EIT, the DIVOU/DIVOS instruction is executed and the D0 and D1 flags are updated to the same values as those in (1) above.
- The following operations are performed when the ORCCR/STILM/MOV Ri and PS instructions are executed to enable interruptions when a user interrupt or NMI trigger event has occurred.
  - (1) The PS register is updated earlier.
  - (2) The EIT handler (user interrupt/NMI or emulator) is executed.
  - (3) Upon returning from the EIT, the above instructions are executed and the PS register is updated to the same value as that in (1) above.

- Notes on I-bus Memory

Do not access data in the instruction cache control register or the instruction cache RAM immediately before the RETI instruction.

○Unique to the evaluation chip MB91V307R

- Simultaneous occurrences of a software break and a user interrupt/NMI

When a software break and a user interrupt /NMI take place at the same time, the emulator debugger may cause the following phenomena:

- The debugger stops pointing to a location other than the programmed breakpoints.
- The halted program is not re-executed correctly.

If these phenomena occur, use a hardware break instead of the software break. If the monitor debugger has been used, avoid setting any break at the relevant location.

- Single-stepping the RETI instruction

If an interrupt occurs frequently during single stepping, execute only the relevant processing routine repeatedly after single-stepping RETI. This will prevent the main routine and low-interrupt-level programs from being executed. Do not single-step the RETI instruction for avoidance purposes. When the debugging of the relevant interrupt routine becomes unnecessary, perform debugging with that interrupt disabled.

- Break function

- If the address of a current system stack pointer or an area that includes a stack pointer is specified as an object address of a hardware break (including an event break), a break occurs after one instruction is executed. The break occurs although the relevant user program does not include an actual data access instruction. To avoid this problem, do not set the (word) access to an area that includes the address of a system stack pointer as a target of a hardware break (including an event break).
- If an instruction that causes a wait is executed between an instruction to read a branch destination address from memory and a branch instruction, an instruction alignment error occurs at a point where an instruction alignment error cannot occur originally. Then, an ICE break (CPU error break) occurs, and execution of instructions stops. Furthermore, even if an instruction break is set for the branch destination address at the point where the above error occurs, a break might not occur.

```
Example: LD    @R1,R0 ; read F-bus RAM
         LD    @R2,R3 ; read F-bus RAM
         CALL @R0    ; An incorrect alignment error may occur or a break might not occur.
```

To avoid the incorrect alignment error as described above, turn off the alignment error function in debugger function setup.

To perform the instruction break correctly, do not specify use of a hardware break, but specify use of a software break in debugger function setup.

- Trace mode

If the trace mode for debugging is set to full trace mode, which uses internal FIFO memory as the output buffer, the current may increase or DMA access to the D-bus may be lost.

This is occurred if:

- A DMA transfer to the D-bus or standby mode occurs in full trace mode.

Use internal trace mode to avoid this note.

- Alignment error (emulator debugger)

Assume that instruction alignment error break is enabled and an instruction that causes a wait is executed between an instruction to read a branch destination address from memory and a branch instruction. Under these conditions, an instruction alignment error occurs at a point where an instruction alignment error cannot occur originally, an ICE break occurs, and execution of instructions stops. Then, a message indicating an unknown break factor or a CPU error break is output.

Furthermore, even if an instruction break is set for the branch destination address at the point where the above error occurs, a break might not occur.

This problem occurs if the following three types of instructions are executed successively:

- (1) LD or DMOV instructions causing a wait (reading a branch destination address)

```
LD    @Rj,Ri          LDUH @Rj,Ri
LD    @(R13,Rj)Ri     LDUH @(R13,Rj),Ri   LDUB @(R13,Rj),Ri
LD    @(R14,disp10),Ri LDUH @(R14,disp9),Ri   LDUB @(R14,disp8),Ri
LD    @R15+,Ri        LD @R15+,Rs       LD @R15+,PS
DMOV  @dir10,R13      DMOVH @dir9,R13       DMOVB @dir8,R13
```

- (2) Instructions causing a wait (reading F-bus RAM or external memory)

- (3) Branch instructions such as JMP @Ri, JMP: D @Ri, CALL @Ri, CALL: D @Ri, RET, and RET: D

```
Example: LD@R1,R0    ;read F-bus RAM
         LD@R2,R3    ;read F-bus RAM
         CALL @R0
```

Avoid this note as follows:

Assume that instruction alignment error break is enabled and an instruction that causes a wait is executed between an instruction to read a branch destination address from memory and a branch instruction. Under these conditions, an instruction alignment error occurs at a point where an instruction alignment error cannot occur originally, an ICE break occurs, and execution of instructions stops. Then, a message indicating an unknown break factor or a CPU error break is output.

Furthermore, even if an instruction break is set for the branch destination address at the point where the above error occurs, a break might not occur.

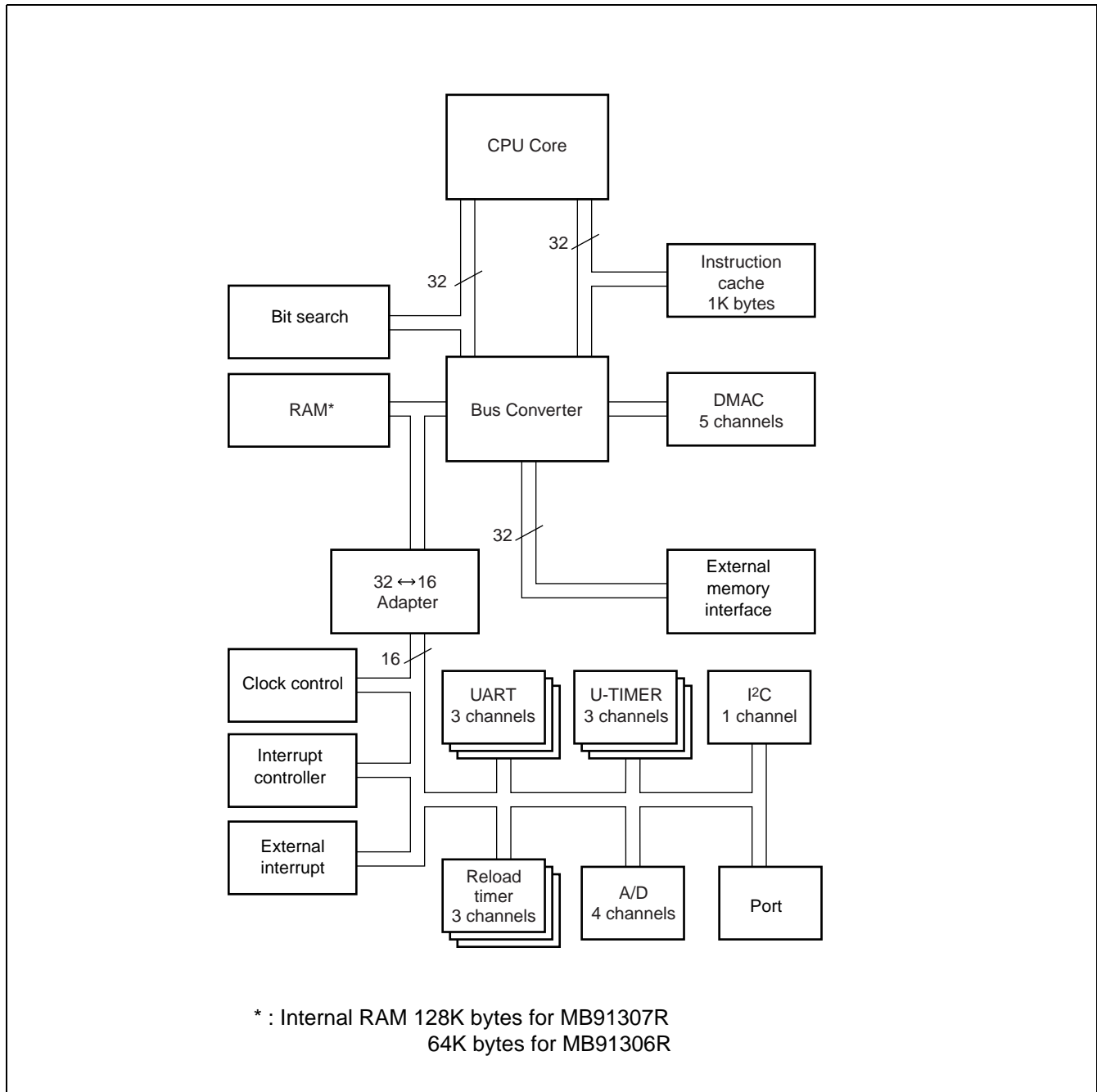
Avoid this problem as follows:

- To avoid the incorrect alignment error as described above, turn off the alignment error function in debugger function setup.
- To perform the instruction break correctly, set the break point in an address other than the branch destination address.

- Operand break

A stack pointer placed in an area set for a DSU operand break can cause a malfunction. Do not apply a data event break to access to the area containing the address of a system stack pointer.

## ■ BLOCK DIAGRAM



## ■ CPU AND CONTROL BLOCK

### Internal Architecture

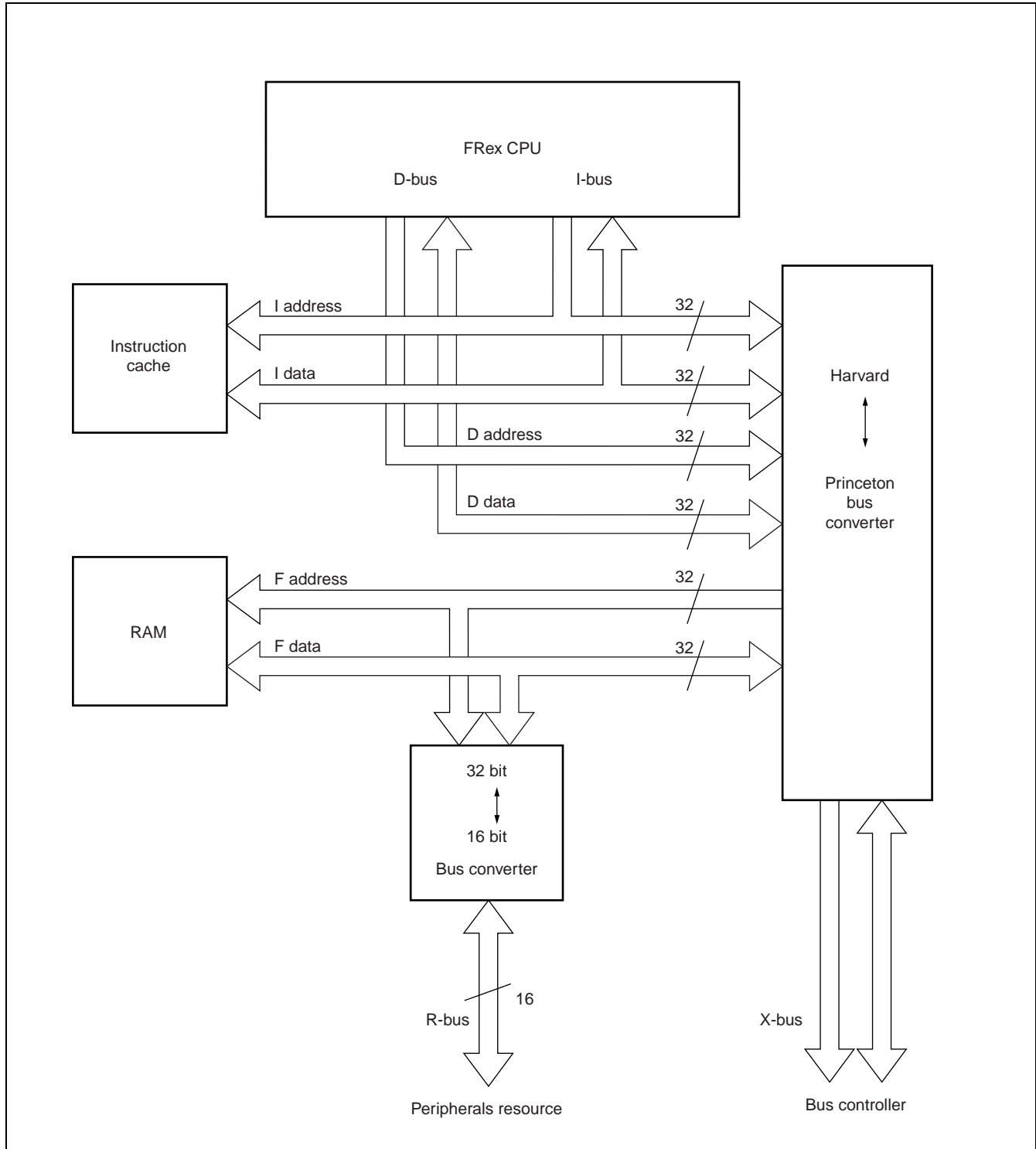
The FR series CPU is a high-performance core using RISC architecture with a high-capability instruction set intended for built-in applications.

#### 1. Features

- Uses of RISC Architecture  
Basic instruction set: 1 instruction to 1 cycle.
- 32-bit architecture  
General-purpose registers: 32-bits × 16 registers
- 4G bytes linear memory space
- Built-in multipliers  
32-bit × 32-bit multiplication: 5 cycles  
16-bit × 16-bit multiplication: 3 cycles
- Enhanced interrupt processing  
High-speed response (6 cycles)  
Multiple interrupt support  
Level masking functions (16 levels)
- Enhanced I/O operating instructions  
Memory-to-memory transfer instructions  
Bit processing instructions
- High code efficiency  
Basic instruction length: 16 bits
- Low-power consumption  
Sleep mode, stop mode
- Gear function

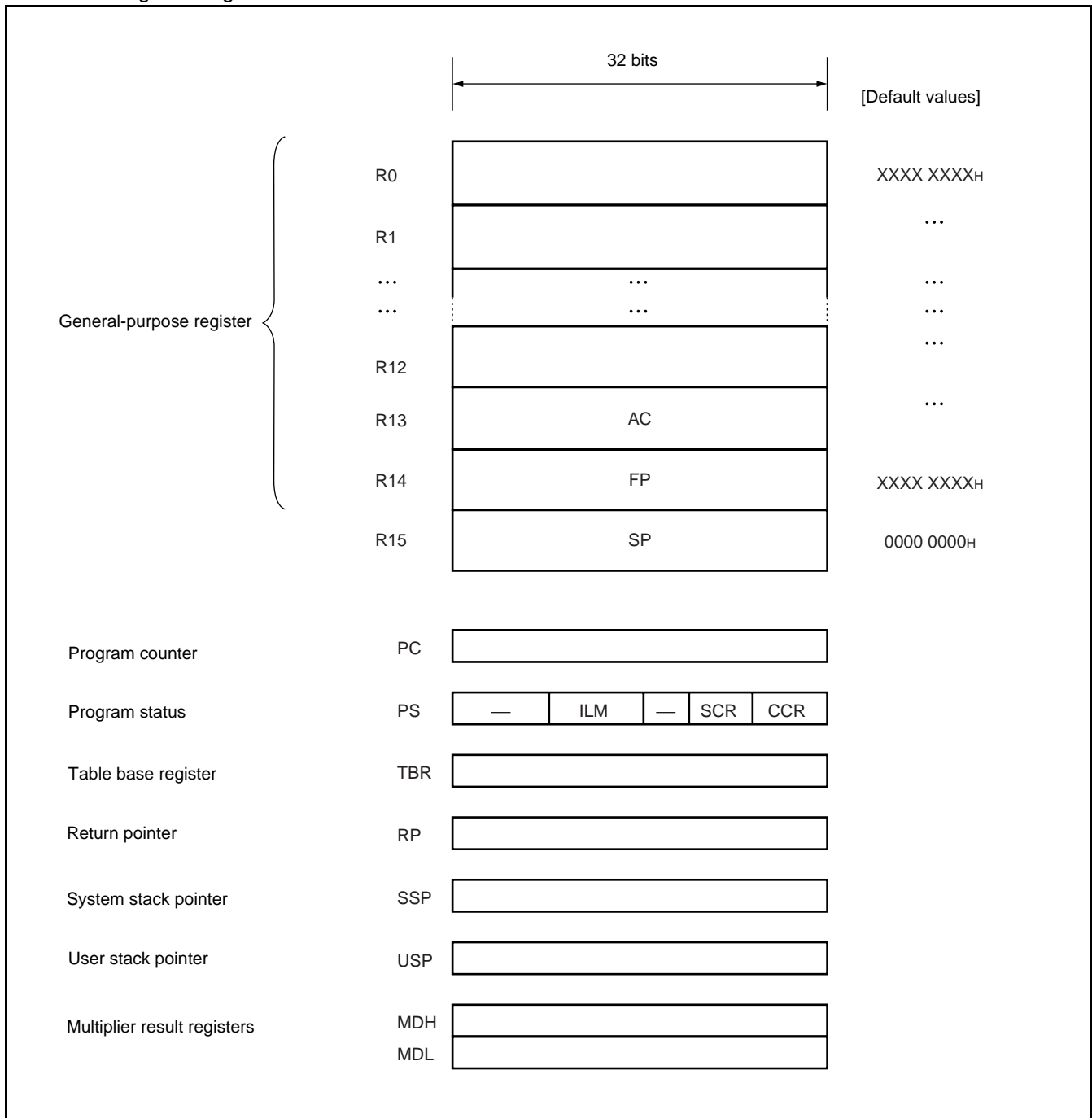
## 2. Internal Architecture

The FR family CPU uses a Harvard architecture with independent instruction bus and data bus. The instruction bus (I-bus) is connected to an on-chip instruction cache. a 32-bit  $\leftrightarrow$ 16-bit bus converter is connected to the bus (F-bus) to provide an interface between the CPU and peripheral resources. The Harvard  $\leftrightarrow$  Princeton bus converter is connected to the both the I-bus and D-bus as an interface between the CPU and bus controller.



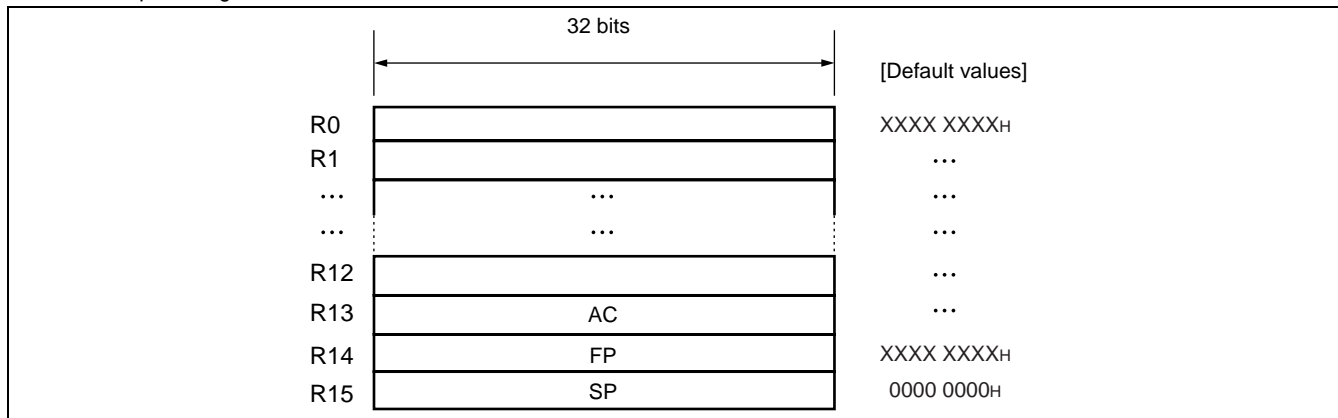
## 3. Programming Model

- Basic Programming Model



## 4. Registers

### • General Purpose Register



Registers R 0 to R 15 are general-purpose registers. These registers can be used as accumulators for computation operations, or as pointers for memory access.

Of the 16 registers, enhanced commands are provided for the following registers to enable their use for particular applications.

R13: Virtual accumulator

R14: Frame pointer

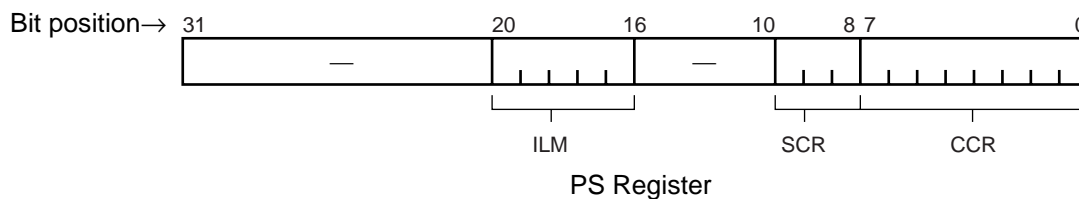
R15: Stack pointer

Default values at reset are undefined for R0 to R14. The value for R15 is 00000000H (SSP value).

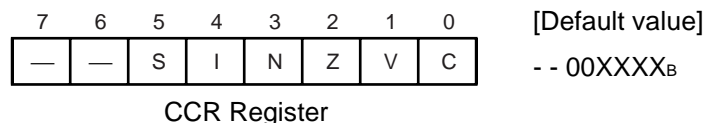
### • PS (Program Status Register)

This register holds the program status, and is divided into three parts, ILM, SCR, and CCR.

All bits not defined in the diagram are reserved bits with read value "0" at all times. Write access to these bits is not enabled.



### • CCR (Condition Code Register)



S : Stack flag, cleared to "0" at reset.

I : Interrupt flag, cleared to "0" at reset.

N : Negative flag, default value at reset undefined.

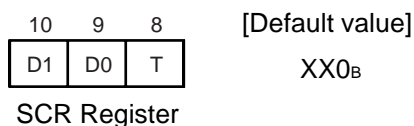
Z : Zero flag, default value at reset undefined.

V : Overflow flag, default value at reset undefined.

C : Carry flag, default value at reset undefined.

# MB91307 Series

- SCR (System Condition code Register)



## Stepwise division flags

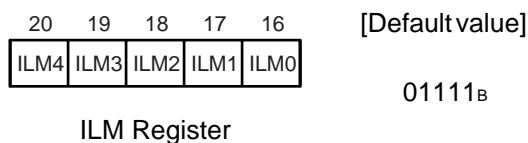
These flags store interim data during execution of stepwise division.

## Step trace trap flag

Indicates whether the step trace trap is enabled or disabled.

The step trace trap function is used by emulators. When an emulator is in use, it cannot be used in execution of user programs.

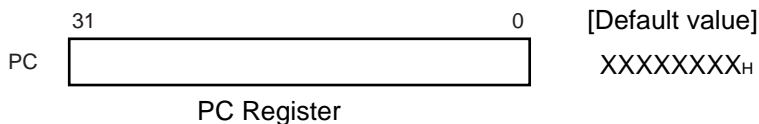
- ILM(Interrupt Level Mask Register)



This register stores interrupt level mask values, for use in level masking.

The register is initialized to value 15 (01111<sub>B</sub>) at reset.

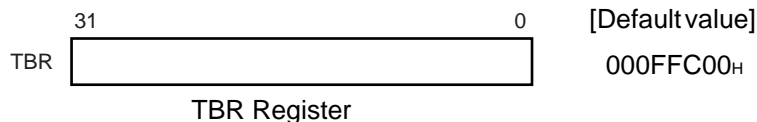
- PC (Program Counter Register)



The program counter indicates the address of the instruction that is executing.

The default value at reset is undefined.

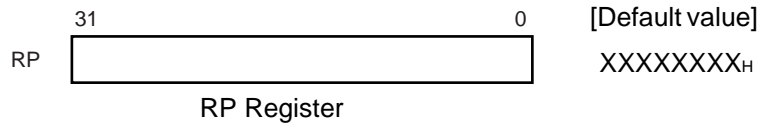
- TBR (Table Base Register)



The table base register stores the starting address of the vector table used in EIT processing.

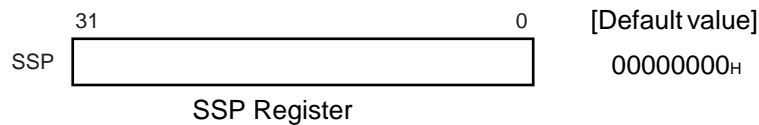
The default value at reset is 000FFC00<sub>H</sub>.

- RP (Return Pointer)



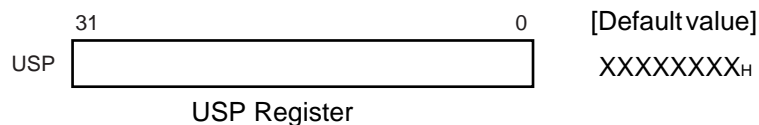
The return register stores the address for return from subroutines.  
 During execution of a CALL instruction, the PC value is transferred to this RP register.  
 During execution of a RET instruction, the contents of the RP register are transferred to this PC register.  
 The default value at reset is undefined.

- SSP (System Stack Pointer)



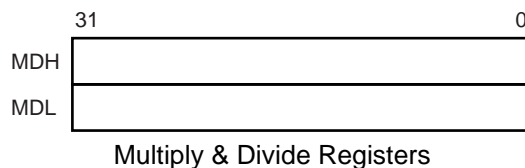
The SSP register is the system stack pointer.  
 When the S flag is "0," this register functions as the R15 register.  
 The SSP register can also be explicitly specified.  
 This register is also used as a stack pointer to indicate the stack to which the PS and PC are removed when an EIT occurs.  
 The default value at reset is 00000000<sub>H</sub>.

- USP (User Stack Pointer)



The USP register is the user stack pointer.  
 When the S flag is "1," this register functions as the R15 register.  
 The USP register can also be explicitly specified.  
 The default value at reset is undefined.  
 This register cannot be used with RETI instructions.

- Multiply & Divide registers



The multiply and divide registers are each 32 bits in length.  
 The default value at reset is undefined.

# MB91307 Series

## ■ SETTING MODE

In the FR family, the mode pins (MD2, MD1, MD0) and the mode register (MODR) are used to set the operating mode.

### 1. Mode Pins

The three pins MD2, MD1, MD0 are used in mode vector fetch instructions, and also to make settings in test mode.

Mode pin			Mode name	Reset vector access area	Remarks
MD2	MD1	MD0			
0	0	1	External ROM mode vector	External	Bus width is set by mode register.

### 2. Mode Register (MODR)

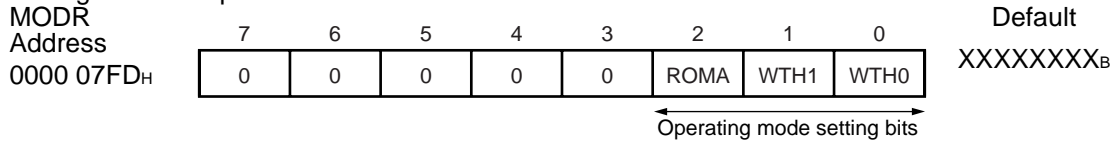
The mode data fetch instruction writes data to the address "0000 07FD<sub>H</sub>" called the mode data.

The area "0000 07FD<sub>H</sub>" is the mode register (MODR). When a setting is made to this register, the device will operate the mode corresponding to that setting.

The mode register can only be set by a reset source at the INIT level. It is not possible to write to this register from a user program.

Note : No data exists at the FR family mode register address (0000 07FF<sub>H</sub>).

< Detailed register description >



#### [bit7 to bit3] Reserved bits

These bits should always be set to "00000." If set to any other value, stable operation is not assured.

#### [bit2] ROMA (Internal RAM enable bit)

This bit indicates whether internal RAM is enabled.

ROMA	Function	Remarks
0	External ROM mode	The built-in RAM area functions as external area.
1	Internal RAM mode	The built-in RAM area is enabled. The 128K bytes built-in RAM can be used.

#### [bit1, 0] WTH1, WTH0 (Bus width indicator bits)

In external bus mode, these bits determine the bus width setting.

In external bus mode, the value of these bits sets the DBW1, DBW0 bits in the ACR0 register (CS0 area).

WTH1	WTH0	Bus width
0	0	8-bit
0	1	16-bit
1	0	Setting prohibited
1	1	Setting prohibited

## ■ MEMORY SPACE

### 1. Memory Space

The FR family has 4G bytes ( $2^{32}$  addresses) of logical address space with linear access from the CPU.

#### •Direct Addressing Areas

The following areas of address space are used for I/O operations.

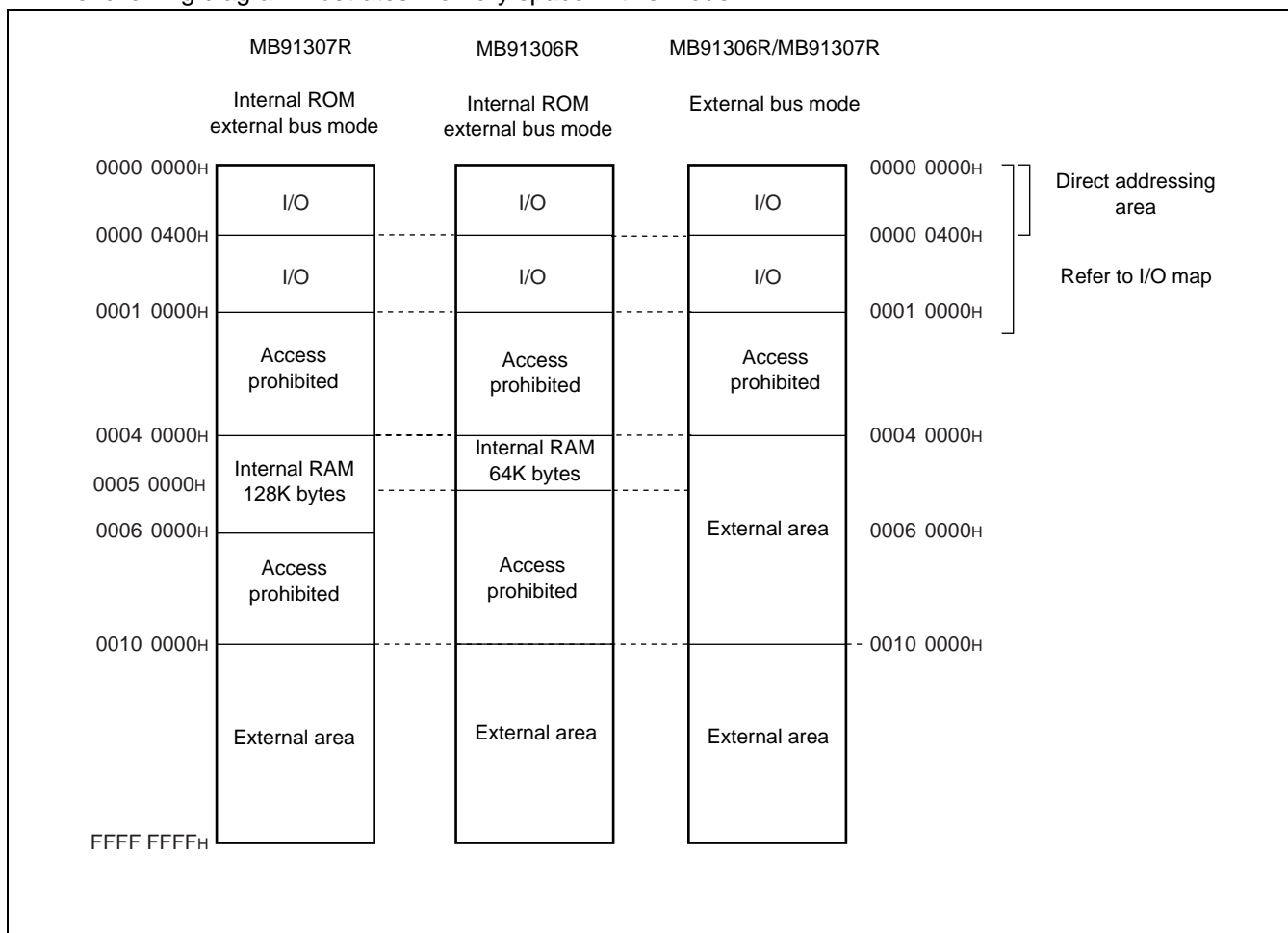
These areas are called direct addressing areas, in which the address of an operand can be specified directly during an instruction.

The direct areas differ according to the size of the data accessed, as follows.

- byte data access : 000H to 0FFH
- half word data access : 000H to 1FFH
- word data access : 000H to 3FFH

### 2. Memory Map

The following diagram illustrates memory space in this model.



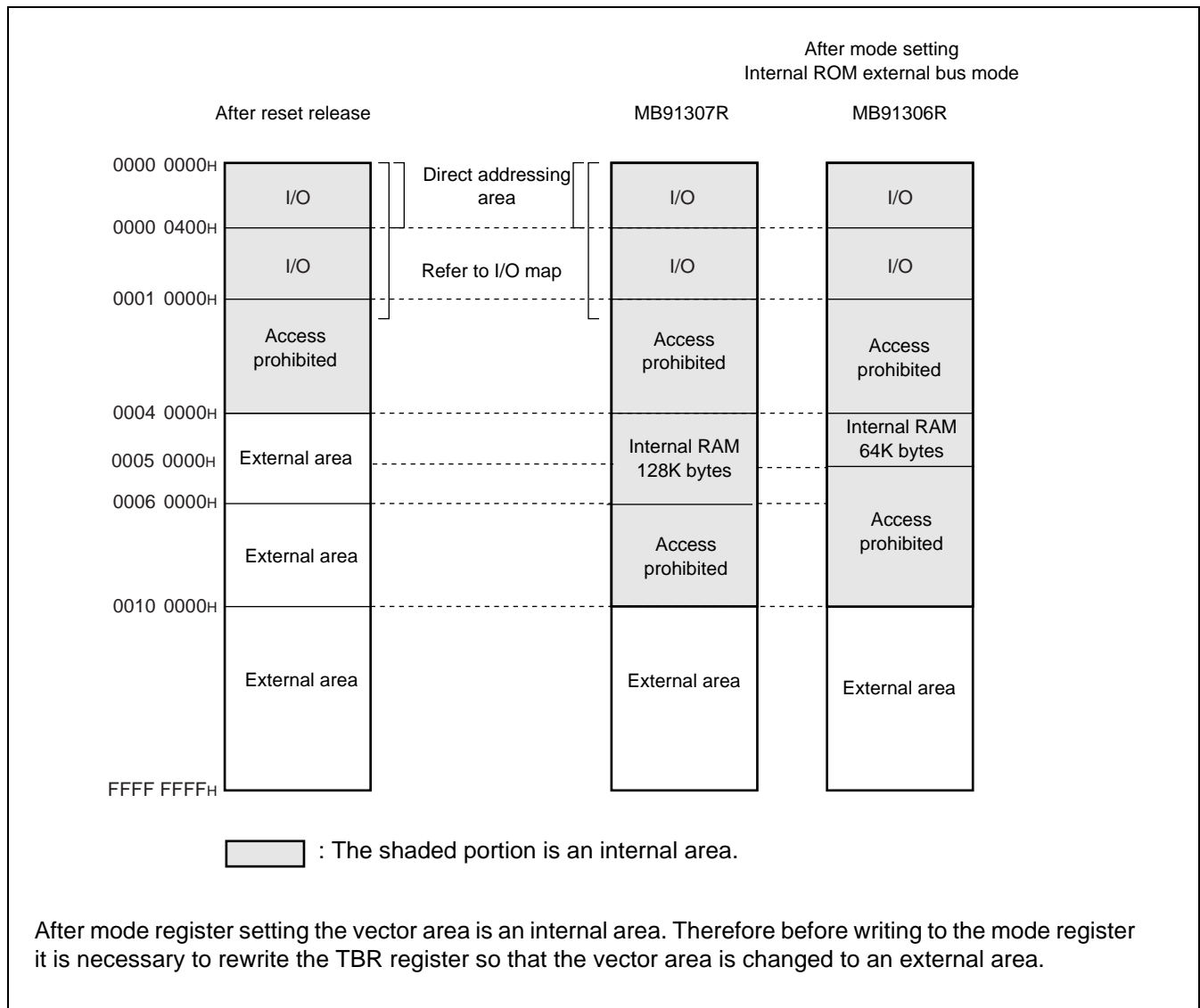
# MB91307 Series

## •Use of Built-in RAM

The MB91307R contains 128K bytes of internal RAM, and MB91306R contains 64K bytes of internal RAM. To enable use of this RAM, the mode register must be set to internal ROM external bus mode (ROMA=1).

### Precautions for use of this model

- The reset vector is fixed at 000F FFFC<sub>H</sub>.
- For the MB91307R, the 128K bytes RAM area is from 0004 0000<sub>H</sub> to 0005 FFFF<sub>H</sub> and for the MB91306R, the 64K bytes RAM area is from 0004 0000<sub>H</sub> to 0004 FFFF<sub>H</sub>. The area from 0006 0000<sub>H</sub> to 000F FFFF<sub>H</sub> is access prohibited.
- In order to use RAM the mode register must be set to internal ROM external bus mode.
- In internal ROM external bus mode the built-in RAM area can be used, but the vector area 000F FFXX<sub>H</sub> is an internal area and cannot be accessed externally. Please refer to the following explanation.
- When placing instruction code in RAM, nothing should be placed in the last 8 bytes of the area 0005 FFF8<sub>H</sub> to 0005 FFFF<sub>H</sub>. (This is an instruction code prohibited area.)

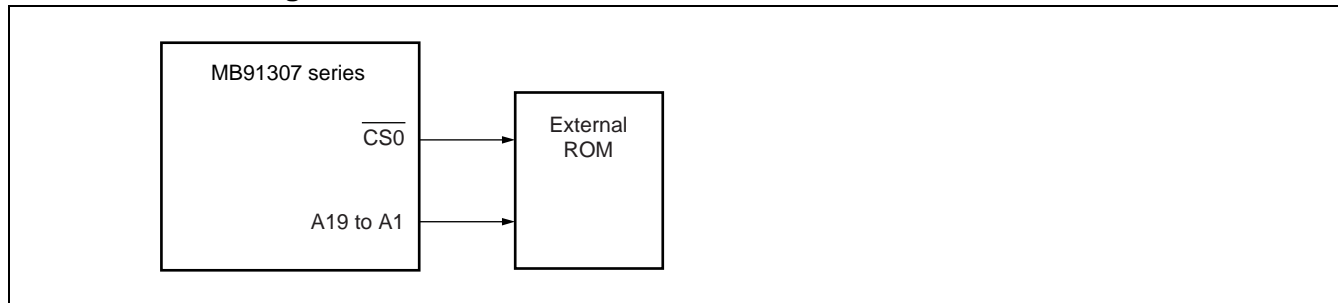


## ■ USER PROGRAM INITIALIZATION

The following sequence describes an example using built-in RAM.

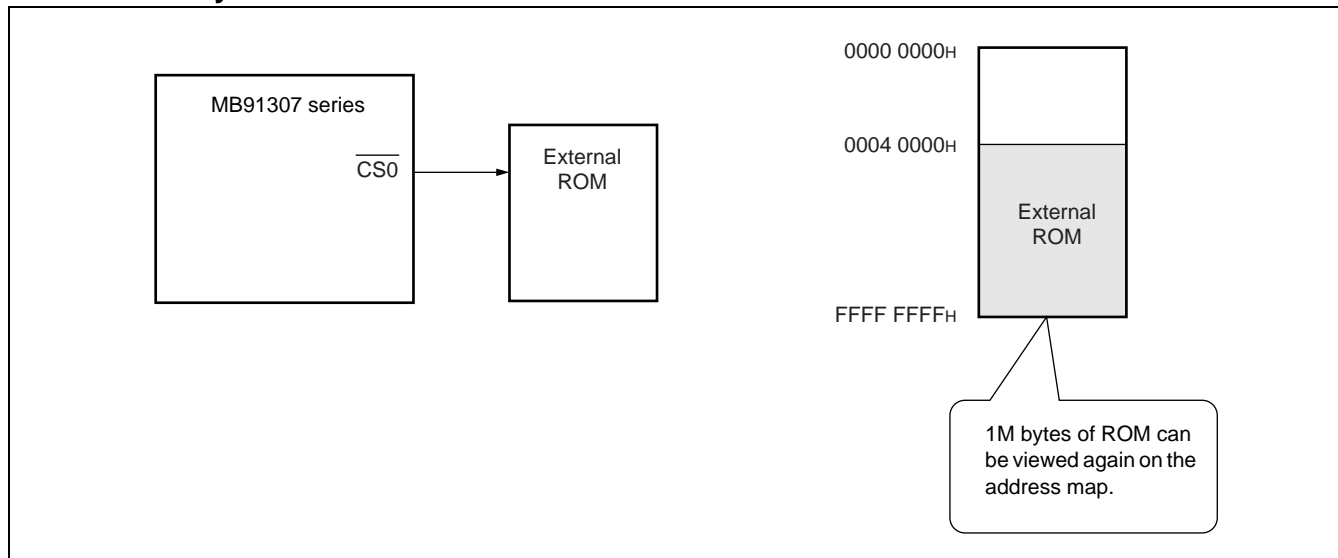
For the MB91306R, only the internal RAM area is different but the setting is same.

### 1. Hardware Setting Conditions



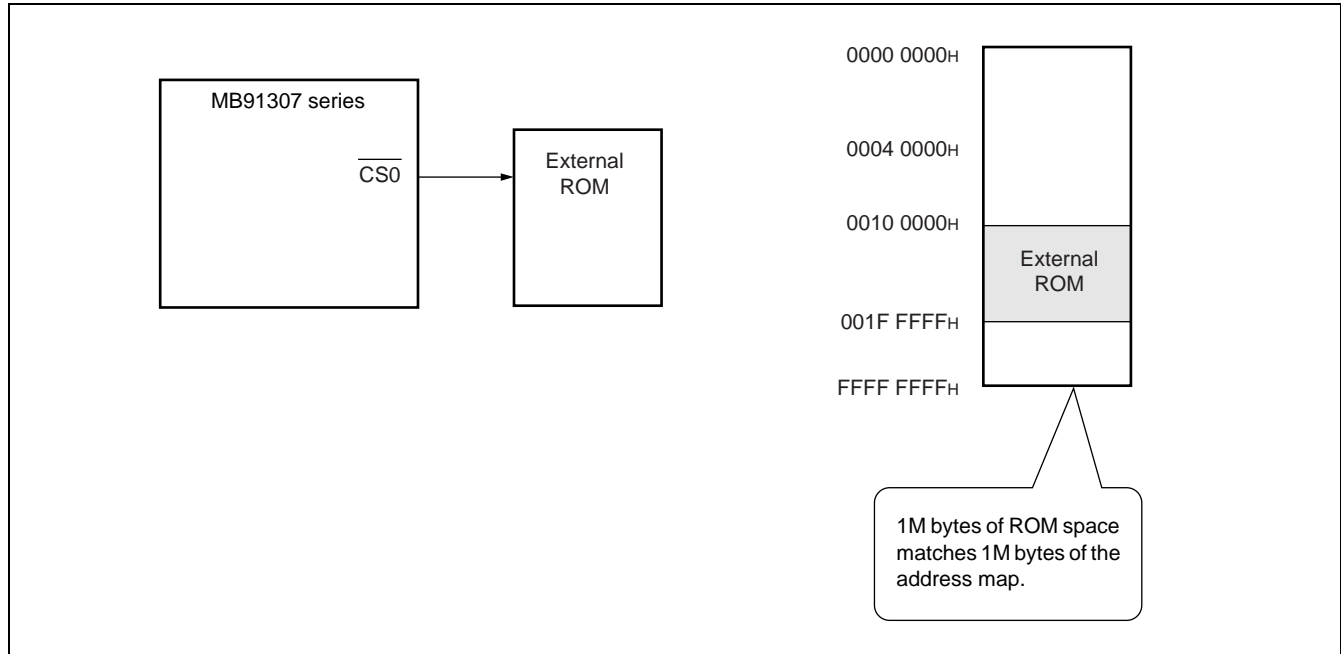
- 1) Assume that 1M bytes of external ROM is placed beginning at 0010 0000<sub>H</sub>. Place the program at this location in the linker. (The following description can apply to other addresses than this one as well.)
- 2) Connect addresses A19 to A1 (1M bytes) to ROM, other addresses will use  $\overline{CS0}$ .
- 3) Set the mode pins (MD2, MD1, MD0) to external vectors.
- 4) Write the reset vector to 001F FFFC<sub>H</sub>. Likewise write the mode vector to 001F FFF8<sub>H</sub>.

### 2. Immediately After Reset Release



- 1) After reset release, the CPU will attempt to load a mode vector from 000F FFF8<sub>H</sub>, a reset vector from 000F FFFC<sub>H</sub>, however because this will be an external vector, the CPU will have to go externally. However the  $\overline{CS0}$  default value causes 1M bytes of external ROM to be repeated in external space, so that the mode vector and the reset vector itself will load the contents written at 001F FFF8<sub>H</sub> and 001F FFFC<sub>H</sub> in external ROM.
- 2) The branch destination is set in the linker to an address in the area 001X XXXX<sub>H</sub>, so that subsequent program execution will be in this area.

## 3. User Program Initialization Steps



- 1) Set the TBR register so that the interrupt table is 001F FFX<sub>H</sub>, then perform initialization. This process also includes a chip select setting, and at the same time the  $\overline{\text{CS0}}$  address is set to be valid at 001X XXXX<sub>H</sub>. The  $\overline{\text{CS0}}$  decoding result is the same before and after the setting, so that the CPU can continue to run programs on external ROM.
- 2) If necessary, initialize the contents of RAM.
- 3) Now initialization is complete, and the application program can be executed.

## ■ I/O MAP

This map shows the correlation between areas of memory space and individual registers in peripheral resources.

### [How to read the map]

Address	Register				Block
	+0	+1	+2	+3	
000000H	PDR0 [R/W] XXXXXXXX	PDR1 [R/W] XXXXXXXX	PDR2 [R/W] XXXXXXXX	PDR3 [R/W] XXXXXXXX	T-unit Port Data Register

Read/write attributes

Register default value after reset

Register name  
(1-column registers at address 4n, 2-column registers at address 4n + 2...)

Left most register address  
(for word access, the first column of the register contains the MSB end of the data)

Note: Default register bit values are indicated as follows:

- “1” : Default value “1”
- “0” : Default value “0”
- “X” : Default value “X”
- “-” : No physical register at this location

# MB91307 Series

Address	Register				Block
	+0	+1	+2	+3	
000000H	—	—	PDR2 [R/W] XXXXXXXX	—	T-unit Port Data Register
000004H	—	—	PDR6 [R/W] XXXXXXXX	PDR7 [R/W] -----X	
000008H	PDR8 [R/W] --X--XXX	PDR9 [R/W] XXXXXXXX-	PDRA [R/W] XXXXXXXX	PDRB [R/W] XXXXXXXX	
00000CH	—				
000010H	PDRG [R/W] ----XXX	PDRH [R/W] XXX00XXX	PDRI [R/W] ---XXXX	PDRJ [R/W] XXXXXXXX	R-bus Port Data Register
000018H to 00001CH	—				
000020H to 00003CH	—				Reserved
000040H	EIRR [R/W] 00000000	ENIR [R/W] 00000000	ELVR [R/W] 00000000		Ext int
000044H	DICR [R/W] -----0	HRCL [R/W] 0-11111	—		DLYI/I-unit
000048H	TMRLR [W] XXXXXXXX XXXXXXXX		TMR [R] XXXXXXXX XXXXXXXX		Reload Timer 0
00004CH	—		TMCSR [R/W] ----0000 00000000		
000050H	TMRLR [W] XXXXXXXX XXXXXXXX		TMR [R] XXXXXXXX XXXXXXXX		Reload Timer 1
000054H	—		TMCSR [R/W] ----0000 00000000		
000058H	TMRLR [W] XXXXXXXX XXXXXXXX		TMR [R] XXXXXXXX XXXXXXXX		Reload Timer 2
00005CH	—		TMCSR [R/W] ----0000 00000000		
000060H	SSR [R/W] 00001-00	SIDR [R/W] XXXXXXXX	SCR [R/W] 00000100	SMR [R/W] 00--0-0-	UART0
000064H	UTIM [R] (UTIMR [W]) 00000000 00000000		DRCL [W] -----	UTIMC [R/W] 0--00001	U-TIMER 0
000068H	SSR [R/W] 00001-00	SIDR [R/W] XXXXXXXX	SCR [R/W] 00000100	SMR [R/W] 00--0-0-	UART1

(Continued)

Address	Register				Block
	+0	+1	+2	+3	
00006C <sub>H</sub>	UTIM [R] 00000000	(UTIMR [W]) 00000000	DRCL [W] -----	UTIMC [R/W] 0--00001	U-TIMER 1
000070 <sub>H</sub>	SSR [R/W] 00001-00	SIDR [R/W] XXXXXXXX	SCR [R/W] 00000100	SMR [R/W] 00--0-0-	UART2
000074 <sub>H</sub>	UTIM [R] 00000000	(UTIMR [W]) 00000000	DRCL [W] -----	UTIMC [R/W] 0--00001	U-TIMER 2
000078 <sub>H</sub>	ADCR [R] -----XX XXXXXXXX		ADCS [R/W] 00000000 00000000		A/D Converter sequential comparator
00007C <sub>H</sub>	—				Reserved
000080 <sub>H</sub>	—				Reserved
000084 <sub>H</sub>	—				Reserved
000088 <sub>H</sub>	—				Reserved
00008C <sub>H</sub>	—				Reserved
000090 <sub>H</sub>	—				Reserved
000094 <sub>H</sub>	IBCR [R/W] 00000000	IBSR [R/W] 00000000	ITBA [R/W] -----00 00000000		I <sup>2</sup> C interface
000098 <sub>H</sub>	ITMK [R/W] 00----11 11111111		ISMK [R/W] 01111111	ISBA [R/W] 00000000	
00009C <sub>H</sub>	—	IDAR [R/W] 00000000	ICCR [R/W] 0-011111	IDBL [R/W] -----0	
0000A0 <sub>H</sub>	—				Reserved
0000A4 <sub>H</sub>	—				Reserved
0000A8 <sub>H</sub>	—				Reserved
0000AC <sub>H</sub>	—				Reserved
0000B0 <sub>H</sub>	—				Reserved

(Continued)

# MB91307 Series

Address	Register				Block
	+0	+1	+2	+3	
000200 <sub>H</sub>	DMACA0 [R/W] 00000000 0000XXXX XXXXXXXX XXXXXXXX				DMAC
000204 <sub>H</sub>	DMACB4 [R/W] 00000000 00000000 00000000 00000000				
000208 <sub>H</sub>	DMACA1 [R/W] 00000000 0000XXXX XXXXXXXX XXXXXXXX				
00020C <sub>H</sub>	DMACB4 [R/W] 00000000 00000000 00000000 00000000				
000210 <sub>H</sub>	DMACA2 [R/W] 00000000 0000XXXX XXXXXXXX XXXXXXXX				
000214 <sub>H</sub>	DMACB4 [R/W] 00000000 00000000 00000000 00000000				
000218 <sub>H</sub>	DMACA3 [R/W] 00000000 0000XXXX XXXXXXXX XXXXXXXX				
00021C <sub>H</sub>	DMACB4 [R/W] 00000000 00000000 00000000 00000000				
000220 <sub>H</sub>	DMACA4 [R/W] 00000000 0000XXXX XXXXXXXX XXXXXXXX				
000224 <sub>H</sub>	DMACB4 [R/W] 00000000 00000000 00000000 00000000				
000228 <sub>H</sub>	—				
00022C <sub>H</sub> to 00023C <sub>H</sub>	—				Reserved
000240 <sub>H</sub>	DMACR [R/W] 0XX00000 XXXXXXXX XXXXXXXX XXXXXXXX				DMAC
000244 <sub>H</sub> to 000274 <sub>H</sub>	—				Reserved
000278 <sub>H</sub>	—				Reserved
00027C <sub>H</sub>	—				Reserved
000280 <sub>H</sub> to 0002FC <sub>H</sub>	—				Reserved

(Continued)

# MB91307 Series

Address	Register				Block
	+0	+1	+2	+3	
000300 <sub>H</sub>	—				Reserved
000304 <sub>H</sub>	—		ISIZE [R/W] -----00		Instruction Cache
000308 <sub>H</sub> to 0003E0 <sub>H</sub>	—				Reserved
0003E4 <sub>H</sub>	—		ICHRC [R/W] 0 - 000000		Instruction Cache
0003E8 <sub>H</sub> to 0003EC <sub>H</sub>	—				Reserved
0003F0 <sub>H</sub>	BSD0 [W] XXXXXXXX XXXXXXXX XXXXXXXX XXXXXXXX				Bit Search Module
0003F4 <sub>H</sub>	BSD1 [R/W] XXXXXXXX XXXXXXXX XXXXXXXX XXXXXXXX				
0003F8 <sub>H</sub>	BSDC [W] XXXXXXXX XXXXXXXX XXXXXXXX XXXXXXXX				
0003FC <sub>H</sub>	BSRR [R] XXXXXXXX XXXXXXXX XXXXXXXX XXXXXXXX				
000400 <sub>H</sub>	DDRG [R/W] ----000	DDRH [R/W] 00011000	DDRI [R/W] --000000	DDRJ [R/W] 00000000	R-bus Port Direction Register
000404 <sub>H</sub>	—				
000408 <sub>H</sub>	—				
00040C <sub>H</sub>	—				
000410 <sub>H</sub>	PFRG [R/W] ----0000	PFRH [R/W] 0000000-	PFRI [R/W] --00-00-	—	R-bus Port Function Register
000414 <sub>H</sub>	—				
000418 <sub>H</sub>	—				
00041C <sub>H</sub>	—				
000420 <sub>H</sub> to 00043C <sub>H</sub>	—				Reserved

(Continued)

# MB91307 Series

Address	Register				Block	
	+0	+1	+2	+3		
000440 <sub>H</sub>	ICR00 [R/W] ---11111	ICR01 [R/W] ---11111	ICR02 [R/W] ---11111	ICR03 [R/W] ---11111	Interrupt Control unit	
000444 <sub>H</sub>	ICR04 [R/W] ---11111	ICR05 [R/W] ---11111	ICR06 [R/W] ---11111	ICR07 [R/W] ---11111		
000448 <sub>H</sub>	ICR08 [R/W] ---11111	ICR09 [R/W] ---11111	ICR10 [R/W] ---11111	ICR11 [R/W] ---11111		
00044C <sub>H</sub>	ICR12 [R/W] ---11111	ICR13 [R/W] ---11111	ICR14 [R/W] ---11111	ICR15 [R/W] ---11111		
000450 <sub>H</sub>	ICR16 [R/W] ---11111	ICR17 [R/W] ---11111	ICR18 [R/W] ---11111	ICR19 [R/W] ---11111	Interrupt Control unit	
000454 <sub>H</sub>	ICR20 [R/W] ---11111	ICR21 [R/W] ---11111	ICR22 [R/W] ---11111	ICR23 [R/W] ---11111		
000458 <sub>H</sub>	ICR24 [R/W] ---11111	ICR25 [R/W] ---11111	ICR26 [R/W] ---11111	ICR27 [R/W] ---11111		
00045C <sub>H</sub>	ICR28 [R/W] ---11111	ICR29 [R/W] ---11111	ICR30 [R/W] ---11111	ICR31 [R/W] ---11111		
000460 <sub>H</sub>	ICR32 [R/W] ---11111	ICR33 [R/W] ---11111	ICR34 [R/W] ---11111	ICR35 [R/W] ---11111		
000464 <sub>H</sub>	ICR36 [R/W] ---11111	ICR37 [R/W] ---11111	ICR38 [R/W] ---11111	ICR39 [R/W] ---11111		
000468 <sub>H</sub>	ICR40 [R/W] ---11111	ICR41 [R/W] ---11111	ICR42 [R/W] ---11111	ICR43 [R/W] ---11111		
00046C <sub>H</sub>	ICR44 [R/W] ---11111	ICR45 [R/W] ---11111	ICR46 [R/W] ---11111	ICR47 [R/W] ---11111		
000470 <sub>H</sub> to 00047C <sub>H</sub>	—					—
000480 <sub>H</sub>	RSRR [R/W] 10000000 *2	STCR [R/W] 00110011 *2	TBCR [R/W] 00XXXX00 *1	CTBR [W] XXXXXXXXXX		Clock Control unit
000484 <sub>H</sub>	CLKR [R/W] 00000000 *1	WPR [W] XXXXXXXXXX	DIVR0 [R/W] 00000011 *1	DIVR1 [R/W] 00000000 *1		
000488 <sub>H</sub> to 0005FC <sub>H</sub>	—				Reserved	

\*1: These registers have different default values at reset level. The value shown is the INIT level value.

\*2: These registers have different default values at reset level. The value shown is the INIT level value from the  $\overline{\text{INIT}}$  pin.

(Continued)

Address	Register				Block
	+0	+1	+2	+3	
000600 <sub>H</sub>	—	—	DDR2 [R/W] 00000000	—	T-unit Port Direction Register
000604 <sub>H</sub>	—	—	DDR6 [R/W] 00000000	DDR7 [R/W] 00000000	
000608 <sub>H</sub>	DDR8 [R/W] --0--000	DDR9 [R/W] 00000000	DDRA [R/W] 00000000	DDRB [R/W] 00000000	
00060C <sub>H</sub>	—				
000610 <sub>H</sub>	—	—	—	—	T-unit Port Function Register
000614 <sub>H</sub>	—	—	PFR6 [R/W] 11111111	PFR7 [R/W] -----1	
000618 <sub>H</sub>	PFR8 [R/W] --1--0--	PFR9 [R/W] 1111111-	PFRA [R/W] 0-001101	PFRB1 [R/W] 00000000	
00061C <sub>H</sub>	PFRB2 [R/W] 00-----	—			
000620 <sub>H</sub>	—				
000624 <sub>H</sub>	—				
000628 <sub>H</sub> to 00063F <sub>H</sub>	—				Reserved
000640 <sub>H</sub>	ASR0 [R/W] 00000000 00000000		ACR0 [R/W] 1111XX00 00000000		T-unit
000644 <sub>H</sub>	ASR1 [R/W] XXXXXXXX XXXXXXXX		ACR1 [R/W] XXXXXXXX XXXXXXXX		
000648 <sub>H</sub>	ASR2 [R/W] XXXXXXXX XXXXXXXX		ACR2 [R/W] XXXXXXXX XXXXXXXX		
00064C <sub>H</sub>	ASR3 [R/W] XXXXXXXX XXXXXXXX		ACR3 [R/W] XXXXXXXX XXXXXXXX		
000650 <sub>H</sub>	ASR4 [R/W] XXXXXXXX XXXXXXXX		ACR4 [R/W] XXXXXXXX XXXXXXXX		
000654 <sub>H</sub>	ASR5 [R/W] XXXXXXXX XXXXXXXX		ACR5 [R/W] XXXXXXXX XXXXXXXX		

(Continued)

# MB91307 Series

Address	Register				Block
	+0	+1	+2	+3	
000658 <sub>H</sub>	ASR6 [R/W] XXXXXXXX XXXXXXXX		ACR6 [R/W] XXXXXXXX XXXXXXXX		T-unit
00065C <sub>H</sub>	ASR7 [R/W] XXXXXXXX XXXXXXXX		ACR7 [R/W] XXXXXXXX XXXXXXXX		
000660 <sub>H</sub>	AWR0 [R/W] 01111111 11111111		AWR1 [R/W] XXXXXXXX XXXXXXXX		
000664 <sub>H</sub>	AWR2 [R/W] XXXXXXXX XXXXXXXX		AWR3 [R/W] XXXXXXXX XXXXXXXX		
000668 <sub>H</sub>	AWR4 [R/W] XXXXXXXX XXXXXXXX		AWR5 [R/W] XXXXXXXX XXXXXXXX		
00066C <sub>H</sub>	AWR6 [R/W] XXXXXXXX XXXXXXXX		AWR7 [R/W] XXXXXXXX XXXXXXXX		
000670 <sub>H</sub>	—				
000674 <sub>H</sub>	—				
000678 <sub>H</sub>	IOWR0 [R/W] XXXXXXXX	IOWR1 [R/W] XXXXXXXX	IOWR2 [R/W] XXXXXXXX	—	
00067C <sub>H</sub>	—				
000680 <sub>H</sub>	CSER [R/W] 00000001	CHER [R/W] 11111111	—	TCR [R/W] 00000000	
000684 <sub>H</sub>	—				
000684 <sub>H</sub> to 0007F8 <sub>H</sub>	—				
0007FC <sub>H</sub>	—				—
000800 <sub>H</sub> to 000AFC <sub>H</sub>	—				Reserved
000B00 <sub>H</sub>	ESTS0 [R/W] X0000000	ESTS1 [R/W] XXXXXXXX	ESTS2 [R] 1XXXXXXXX	—	DSU
000B04 <sub>H</sub>	ECTL0 [R/W] 0X000000	ECTL1 [R/W] 00000000	ECTL2 [W] 000X0000	ECTL3 [R/W] 00X00X11	

(Continued)

Address	Register				Block
	+0	+1	+2	+3	
000B08 <sub>H</sub>	ECNT0 [W] XXXXXXXX	ECNT1 [W] XXXXXXXX	EUSA [W] XXX00000	EDTC [W] 0000XXXX	DSU
000B0C <sub>H</sub>	EWPT [R] 00000000 00000000		—		
000B10 <sub>H</sub>	EDTR0 [W] XXXXXXXX XXXXXXXX		EDTR1 [W] XXXXXXXX XXXXXXXX		
000B14 <sub>H</sub> to 000B1C <sub>H</sub>	—				
000B20 <sub>H</sub>	EIA0 [W] XXXXXXXX XXXXXXXX XXXXXXXX XXXXXXXX				
000B24 <sub>H</sub>	EIA1 [W] XXXXXXXX XXXXXXXX XXXXXXXX XXXXXXXX				
000B28 <sub>H</sub>	EIA2 [W] XXXXXXXX XXXXXXXX XXXXXXXX XXXXXXXX				
000B2C <sub>H</sub>	EIA3 [W] XXXXXXXX XXXXXXXX XXXXXXXX XXXXXXXX				
000B30 <sub>H</sub>	EIA4 [W] XXXXXXXX XXXXXXXX XXXXXXXX XXXXXXXX				
000B34 <sub>H</sub>	EIA5 [W] XXXXXXXX XXXXXXXX XXXXXXXX XXXXXXXX				
000B38 <sub>H</sub>	EIA6 [W] XXXXXXXX XXXXXXXX XXXXXXXX XXXXXXXX				
000B3C <sub>H</sub>	EIA7 [W] XXXXXXXX XXXXXXXX XXXXXXXX XXXXXXXX				
000B40 <sub>H</sub>	EDTA [R/W] XXXXXXXX XXXXXXXX XXXXXXXX XXXXXXXX				
000B44 <sub>H</sub>	EDTM [R/W] XXXXXXXX XXXXXXXX XXXXXXXX XXXXXXXX				
000B48 <sub>H</sub>	EOA0 [W] XXXXXXXX XXXXXXXX XXXXXXXX XXXXXXXX				
000B4C <sub>H</sub>	EOA1 [W] XXXXXXXX XXXXXXXX XXXXXXXX XXXXXXXX				
000B50 <sub>H</sub>	EPCR [R/W] XXXXXXXX XXXXXXXX XXXXXXXX XXXXXXXX				

(Continued)

# MB91307 Series

(Continued)

Address	Register				Block
	+0	+1	+2	+3	
000B54H	EPSR [R/W] XXXXXXXX XXXXXXXX XXXXXXXX XXXXXXXX				DSU
000B58H	EIAM0 [W] XXXXXXXX XXXXXXXX XXXXXXXX XXXXXXXX				
000B5CH	EIAM1 [W] XXXXXXXX XXXXXXXX XXXXXXXX XXXXXXXX				
000B60H	EOAM0/EODM0 [W] XXXXXXXX XXXXXXXX XXXXXXXX XXXXXXXX				
000B64H	EOAM1/EODM1 [W] XXXXXXXX XXXXXXXX XXXXXXXX XXXXXXXX				
000B68H	EOD0 [W] XXXXXXXX XXXXXXXX XXXXXXXX XXXXXXXX				
000B6CH	EOD1 [W] XXXXXXXX XXXXXXXX XXXXXXXX XXXXXXXX				
000B70H to 000FFCH	—				Reserved
001000H	DMASA0 [R/W] XXXXXXXX_XXXXXXXX_XXXXXXXX_XXXXXXXX				DMAC
001004H	DMADA0 [R/W] XXXXXXXX_XXXXXXXX_XXXXXXXX_XXXXXXXX				
001008H	DMASA1 [R/W] XXXXXXXX_XXXXXXXX_XXXXXXXX_XXXXXXXX				
00100CH	DMADA1 [R/W] XXXXXXXX_XXXXXXXX_XXXXXXXX_XXXXXXXX				
001010H	DMASA2 [R/W] XXXXXXXX_XXXXXXXX_XXXXXXXX_XXXXXXXX				
001014H	DMADA2 [R/W] XXXXXXXX_XXXXXXXX_XXXXXXXX_XXXXXXXX				
001018H	DMASA3 [R/W] XXXXXXXX_XXXXXXXX_XXXXXXXX_XXXXXXXX				
00101CH	DMADA3 [R/W] XXXXXXXX_XXXXXXXX_XXXXXXXX_XXXXXXXX				
001020H	DMASA4 [R/W] XXXXXXXX_XXXXXXXX_XXXXXXXX_XXXXXXXX				
001024H	DMADA4 [R/W] XXXXXXXX_XXXXXXXX_XXXXXXXX_XXXXXXXX				

## ■ INTERRUPT SOURCES AND INTERRUPT VECTORS

Interrupt source	Interrupt number		Interrupt level	Offset	TBR default address
	Decimal	Hex			
Reset	0	00	—	3FC <sub>H</sub>	000FFFFC <sub>H</sub>
Mode vector	1	01	—	3F8 <sub>H</sub>	000FFFF8 <sub>H</sub>
System reserved	2	02	—	3F4 <sub>H</sub>	000FFFF4 <sub>H</sub>
System reserved	3	03	—	3F0 <sub>H</sub>	000FFFF0 <sub>H</sub>
System reserved	4	04	—	3EC <sub>H</sub>	000FFFE <sub>C</sub>
System reserved	5	05	—	3E8 <sub>H</sub>	000FFFE8 <sub>H</sub>
System reserved	6	06	—	3E4 <sub>H</sub>	000FFFE4 <sub>H</sub>
Coprocessor absent trap	7	07	—	3E0 <sub>H</sub>	000FFFE0 <sub>H</sub>
Coprocessor error trap	8	08	—	3DC <sub>H</sub>	000FFFD <sub>C</sub>
INTE instruction	9	09	—	3D8 <sub>H</sub>	000FFFD8 <sub>H</sub>
Instruction break exception	10	0A	—	3D4 <sub>H</sub>	000FFFD4 <sub>H</sub>
Operand break trap	11	0B	—	3D0 <sub>H</sub>	000FFFD0 <sub>H</sub>
Step trace trap	12	0C	—	3CC <sub>H</sub>	000FFFC <sub>C</sub>
NMI request (tool)	13	0D	—	3C8 <sub>H</sub>	000FFFC8 <sub>H</sub>
Undefined instruction exception	14	0E	—	3C4 <sub>H</sub>	000FFFC4 <sub>H</sub>
NMI requ	15	0F	15 (F <sub>H</sub> )	3C0 <sub>H</sub>	000FFFC0 <sub>H</sub>
External interrupt 0	16	10	ICR00	3BC <sub>H</sub>	000FFFB <sub>C</sub>
External interrupt 1	17	11	ICR01	3B8 <sub>H</sub>	000FFFB8 <sub>H</sub>
External interrupt 2	18	12	ICR02	3B4 <sub>H</sub>	000FFFB4 <sub>H</sub>
External interrupt 3	19	13	ICR03	3B0 <sub>H</sub>	000FFFB0 <sub>H</sub>
External interrupt 4	20	14	ICR04	3AC <sub>H</sub>	000FFFA <sub>C</sub>
External interrupt 5	21	15	ICR05	3A8 <sub>H</sub>	000FFFA8 <sub>H</sub>
External interrupt 6	22	16	ICR06	3A4 <sub>H</sub>	000FFFA4 <sub>H</sub>
External interrupt 7	23	17	ICR07	3A0 <sub>H</sub>	000FFFA0 <sub>H</sub>
Reload timer 0	24	18	ICR08	39C <sub>H</sub>	000FFF9 <sub>C</sub>
Reload timer 1	25	19	ICR09	398 <sub>H</sub>	000FFF98 <sub>H</sub>
Reload timer 2	26	1A	ICR10	394 <sub>H</sub>	000FFF94 <sub>H</sub>
UART0(RX completed)	27	1B	ICR11	390 <sub>H</sub>	000FFF90 <sub>H</sub>
UART1(RX completed)	28	1C	ICR12	38C <sub>H</sub>	000FFF8 <sub>C</sub>
UART2(RX completed)	29	1D	ICR13	388 <sub>H</sub>	000FFF88 <sub>H</sub>
UART0(TX completed)	30	1E	ICR14	384 <sub>H</sub>	000FFF84 <sub>H</sub>
UART1(TX completed)	31	1F	ICR15	380 <sub>H</sub>	000FFF80 <sub>H</sub>
UART2(TX completed)	32	20	ICR16	37C <sub>H</sub>	000FFF7 <sub>C</sub>
DMAC0(end, error)	33	21	ICR17	378 <sub>H</sub>	000FFF78 <sub>H</sub>

(Continued)

# MB91307 Series

Interrupt source	Interrupt number		Interrupt level	Offset	TBR default address
	Decimal	Hex			
DMAC1(end, error)	34	22	ICR18	374 <sub>H</sub>	000FFF74 <sub>H</sub>
DMAC2(end, error)	35	23	ICR19	370 <sub>H</sub>	000FFF70 <sub>H</sub>
DMAC3(end, error)	36	24	ICR20	36C <sub>H</sub>	000FFF6C <sub>H</sub>
DMAC4(end, error)	37	25	ICR21	368 <sub>H</sub>	000FFF68 <sub>H</sub>
A/D	38	26	ICR22	364 <sub>H</sub>	000FFF64 <sub>H</sub>
I <sup>2</sup> C	39	27	ICR23	360 <sub>H</sub>	000FFF60 <sub>H</sub>
System reserved	40	28	ICR24	35C <sub>H</sub>	000FFF5C <sub>H</sub>
System reserved	41	29	ICR25	358 <sub>H</sub>	000FFF58 <sub>H</sub>
System reserved	42	2A	ICR26	354 <sub>H</sub>	000FFF54 <sub>H</sub>
System reserved	43	2B	ICR27	350 <sub>H</sub>	000FFF50 <sub>H</sub>
U-TIMER0	44	2C	ICR28	34C <sub>H</sub>	000FFF4C <sub>H</sub>
U-TIMER1	45	2D	ICR29	348 <sub>H</sub>	000FFF48 <sub>H</sub>
U-TIMER2	46	2E	ICR30	344 <sub>H</sub>	000FFF44 <sub>H</sub>
Time base timer overflow	47	2F	ICR31	340 <sub>H</sub>	000FFF40 <sub>H</sub>
System reserved	48	30	ICR32	33C <sub>H</sub>	000FFF3C <sub>H</sub>
System reserved	49	31	ICR33	338 <sub>H</sub>	000FFF38 <sub>H</sub>
System reserved	50	32	ICR34	334 <sub>H</sub>	000FFF34 <sub>H</sub>
System reserved	51	33	ICR35	330 <sub>H</sub>	000FFF30 <sub>H</sub>
System reserved	52	34	ICR36	32C <sub>H</sub>	000FFF2C <sub>H</sub>
System reserved	53	35	ICR37	328 <sub>H</sub>	000FFF28 <sub>H</sub>
System reserved	54	36	ICR38	324 <sub>H</sub>	000FFF24 <sub>H</sub>
System reserved	55	37	ICR39	320 <sub>H</sub>	000FFF20 <sub>H</sub>
System reserved	56	38	ICR40	31C <sub>H</sub>	000FFF1C <sub>H</sub>
System reserved	57	39	ICR41	318 <sub>H</sub>	000FFF18 <sub>H</sub>
System reserved	58	3A	ICR42	314 <sub>H</sub>	000FFF14 <sub>H</sub>
System reserved	59	3B	ICR43	310 <sub>H</sub>	000FFF10 <sub>H</sub>
System reserved	60	3C	ICR44	30C <sub>H</sub>	000FFF0C <sub>H</sub>
System reserved	61	3D	ICR45	308 <sub>H</sub>	000FFF08 <sub>H</sub>
System reserved	62	3E	ICR46	304 <sub>H</sub>	000FFF04 <sub>H</sub>
Delay interrupt source bit	63	3F	ICR47	300 <sub>H</sub>	000FFF00 <sub>H</sub>
System reserved (REALOS use)	64	40	—	2FC <sub>H</sub>	000FFEFC <sub>H</sub>
System reserved (REALOS use)	65	41	—	2F8 <sub>H</sub>	000FFE8 <sub>H</sub>
System reserved	66	42	—	2F4 <sub>H</sub>	000FFE4 <sub>H</sub>
System reserved	67	43	—	2F0 <sub>H</sub>	000FFE0 <sub>H</sub>
System reserved	68	44	—	2EC <sub>H</sub>	000FEEC <sub>H</sub>

(Continued)

(Continued)

Interrupt source	Interrupt number		Interrupt level	Offset	TBR default address
	Decimal	Hex			
System reserved	69	45	—	2E8 <sub>H</sub>	000FFEE8 <sub>H</sub>
System reserved	70	46	—	2E4 <sub>H</sub>	000FFEE4 <sub>H</sub>
System reserved	71	47	—	2E0 <sub>H</sub>	000FFEE0 <sub>H</sub>
System reserved	72	48	—	2DC <sub>H</sub>	000FFEDC <sub>H</sub>
System reserved	73	49	—	2D8 <sub>H</sub>	000FFED8 <sub>H</sub>
System reserved	74	4A	—	2D4 <sub>H</sub>	000FFED4 <sub>H</sub>
System reserved	75	4B	—	2D0 <sub>H</sub>	000FFED0 <sub>H</sub>
System reserved	76	4C	—	2CC <sub>H</sub>	000FFEC <sub>H</sub>
System reserved	77	4D	—	2C8 <sub>H</sub>	000FFEC8 <sub>H</sub>
System reserved	78	4E	—	2C4 <sub>H</sub>	000FFEC4 <sub>H</sub>
System reserved	79	4F	—	2C0 <sub>H</sub>	000FFEC0 <sub>H</sub>
Used by INT instructions	80 to 255	50 to FF	—	2BC <sub>H</sub> to 000 <sub>H</sub>	000FFEBC <sub>H</sub> to 000FFC00 <sub>H</sub>

## ■ PERIPHERAL RESOURCES

### 1. Interrupt Controller

#### (1) Overview

The interrupt controller receives and processes arbitration of interrupts.

#### •Hardware Configuration

This module is configured from the following elements.

- ICR register
- Interrupt priority determination circuit
- Interrupt level and interrupt number (vector) generator
- Hold request cancellation request generator

#### •Principal Functions

This module primarily provides the following functions.

- NMI request / interrupt request detection
- Order of priority determination (according to level and number)
- Notification (to CPU) of interrupt level of source according to determination
- Notification (to CPU) of interrupt number of source according to determination
- Instruction (to CPU) to recover from stop mode when an interrupt other than NMI/interrupt level “11111” is generated
- Generation of hold request cancellation requests to the bus master

## (2) Register List

	bit 7	6	5	4	3	2	1	0	
Address: 00000440H	—	—	—	ICR4	ICR3	ICR2	ICR1	ICR0	ICR00
Address: 00000441H	—	—	—	ICR4	ICR3	ICR2	ICR1	ICR0	ICR01
Address: 00000442H	—	—	—	ICR4	ICR3	ICR2	ICR1	ICR0	ICR02
Address: 00000443H	—	—	—	ICR4	ICR3	ICR2	ICR1	ICR0	ICR03
Address: 00000444H	—	—	—	ICR4	ICR3	ICR2	ICR1	ICR0	ICR04
Address: 00000445H	—	—	—	ICR4	ICR3	ICR2	ICR1	ICR0	ICR05
Address: 00000446H	—	—	—	ICR4	ICR3	ICR2	ICR1	ICR0	ICR06
Address: 00000447H	—	—	—	ICR4	ICR3	ICR2	ICR1	ICR0	ICR07
Address: 00000448H	—	—	—	ICR4	ICR3	ICR2	ICR1	ICR0	ICR08
Address: 00000449H	—	—	—	ICR4	ICR3	ICR2	ICR1	ICR0	ICR09
Address: 0000044AH	—	—	—	ICR4	ICR3	ICR2	ICR1	ICR0	ICR10
Address: 0000044BH	—	—	—	ICR4	ICR3	ICR2	ICR1	ICR0	ICR11
Address: 0000044CH	—	—	—	ICR4	ICR3	ICR2	ICR1	ICR0	ICR12
Address: 0000044DH	—	—	—	ICR4	ICR3	ICR2	ICR1	ICR0	ICR13
Address: 0000044EH	—	—	—	ICR4	ICR3	ICR2	ICR1	ICR0	ICR14
Address: 0000044FH	—	—	—	ICR4	ICR3	ICR2	ICR1	ICR0	ICR15
Address: 00000450H	—	—	—	ICR4	ICR3	ICR2	ICR1	ICR0	ICR16
Address: 00000451H	—	—	—	ICR4	ICR3	ICR2	ICR1	ICR0	ICR17
Address: 00000452H	—	—	—	ICR4	ICR3	ICR2	ICR1	ICR0	ICR18
Address: 00000453H	—	—	—	ICR4	ICR3	ICR2	ICR1	ICR0	ICR19
Address: 00000454H	—	—	—	ICR4	ICR3	ICR2	ICR1	ICR0	ICR20
Address: 00000455H	—	—	—	ICR4	ICR3	ICR2	ICR1	ICR0	ICR21
Address: 00000456H	—	—	—	ICR4	ICR3	ICR2	ICR1	ICR0	ICR22
Address: 00000457H	—	—	—	ICR4	ICR3	ICR2	ICR1	ICR0	ICR23
Address: 00000458H	—	—	—	ICR4	ICR3	ICR2	ICR1	ICR0	ICR24
Address: 00000459H	—	—	—	ICR4	ICR3	ICR2	ICR1	ICR0	ICR25
Address: 0000045AH	—	—	—	ICR4	ICR3	ICR2	ICR1	ICR0	ICR26
Address: 0000045BH	—	—	—	ICR4	ICR3	ICR2	ICR1	ICR0	ICR27
Address: 0000045CH	—	—	—	ICR4	ICR3	ICR2	ICR1	ICR0	ICR28
Address: 0000045DH	—	—	—	ICR4	ICR3	ICR2	ICR1	ICR0	ICR29
Address: 0000045EH	—	—	—	ICR4	ICR3	ICR2	ICR1	ICR0	ICR30
Address: 0000045FH	—	—	—	ICR4	ICR3	ICR2	ICR1	ICR0	ICR31
				R	R/W	R/W	R/W	R/W	

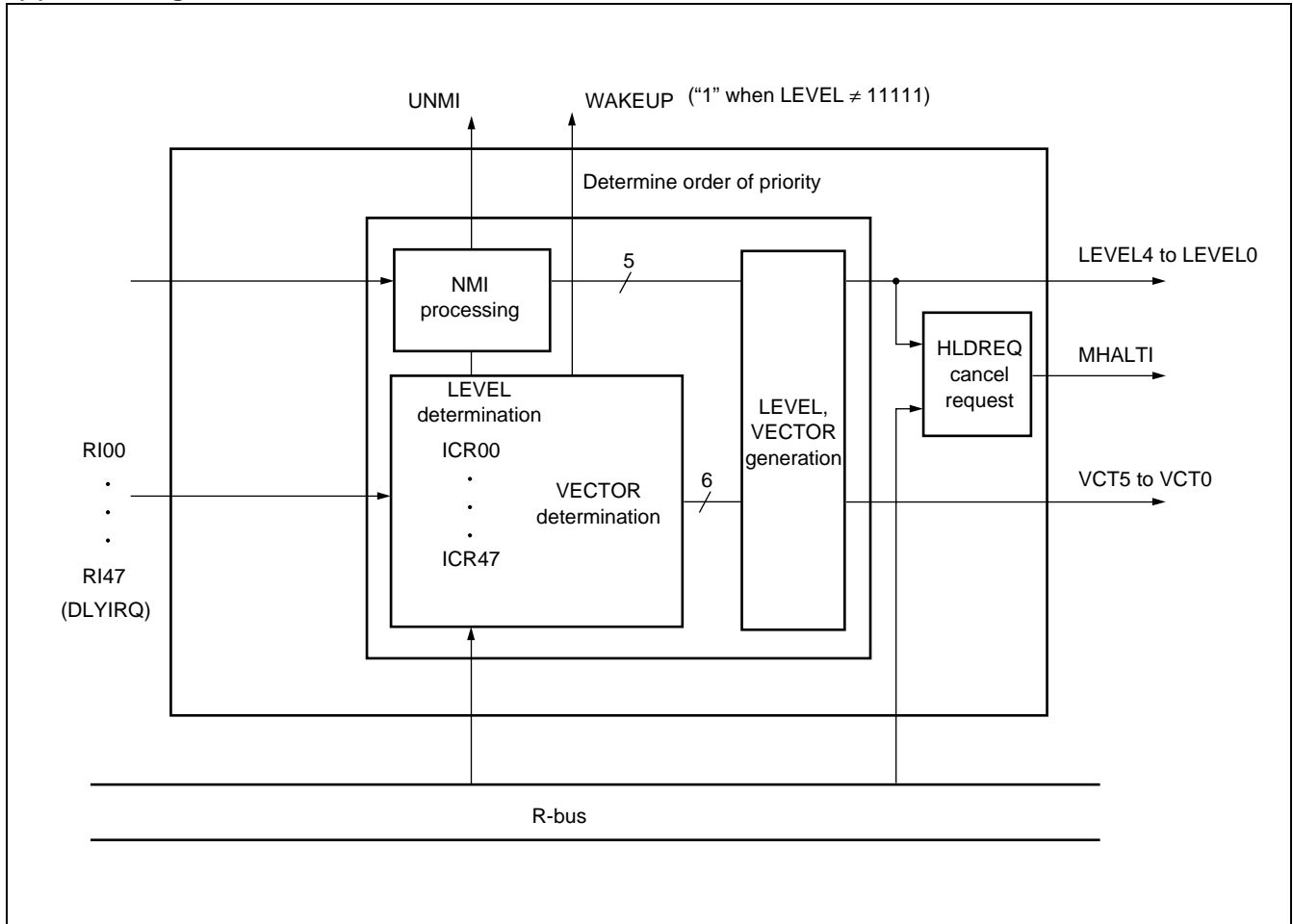
(Continued)

# MB91307 Series

(Continued)

	bit 7	6	5	4	3	2	1	0	
Address: 00000460H	—	—	—	ICR4	ICR3	ICR2	ICR1	ICR0	ICR32
Address: 00000461H	—	—	—	ICR4	ICR3	ICR2	ICR1	ICR0	ICR33
Address: 00000462H	—	—	—	ICR4	ICR3	ICR2	ICR1	ICR0	ICR34
Address: 00000463H	—	—	—	ICR4	ICR3	ICR2	ICR1	ICR0	ICR35
Address: 00000464H	—	—	—	ICR4	ICR3	ICR2	ICR1	ICR0	ICR36
Address: 00000465H	—	—	—	ICR4	ICR3	ICR2	ICR1	ICR0	ICR37
Address: 00000466H	—	—	—	ICR4	ICR3	ICR2	ICR1	ICR0	ICR38
Address: 00000467H	—	—	—	ICR4	ICR3	ICR2	ICR1	ICR0	ICR39
Address: 00000468H	—	—	—	ICR4	ICR3	ICR2	ICR1	ICR0	ICR40
Address: 00000469H	—	—	—	ICR4	ICR3	ICR2	ICR1	ICR0	ICR41
Address: 0000046AH	—	—	—	ICR4	ICR3	ICR2	ICR1	ICR0	ICR42
Address: 0000046BH	—	—	—	ICR4	ICR3	ICR2	ICR1	ICR0	ICR43
Address: 0000046CH	—	—	—	ICR4	ICR3	ICR2	ICR1	ICR0	ICR44
Address: 0000046DH	—	—	—	ICR4	ICR3	ICR2	ICR1	ICR0	ICR45
Address: 0000046EH	—	—	—	ICR4	ICR3	ICR2	ICR1	ICR0	ICR46
Address: 0000046FH	—	—	—	ICR4	ICR3	ICR2	ICR1	ICR0	ICR47
				R	R/W	R/W	R/W	R/W	
Address: 00000045H	MHALTI	—	—	LVL4	LVL3	LVL2	LVL1	LVL0	HRCL
	R/W			R	R/W	R/W	R/W	R/W	

## (3) Block Diagram



## 2. External Interrupt - NMI Control Block

### (1) Overview

The External Interrupt-control block controls external interrupt requests input at the  $\overline{\text{NMI}}$  and INT0 to INT7 pins.

The request level can be selected from "H," "L," "rising edge," or "falling edge" detection (except for NMI).

### (2) Register List

- External interrupt enable register (ENIR)

bit	7	6	5	4	3	2	1	0
	EN7	EN6	EN5	EN4	EN3	EN2	EN1	EN0

- External interrupt source register (EIRR)

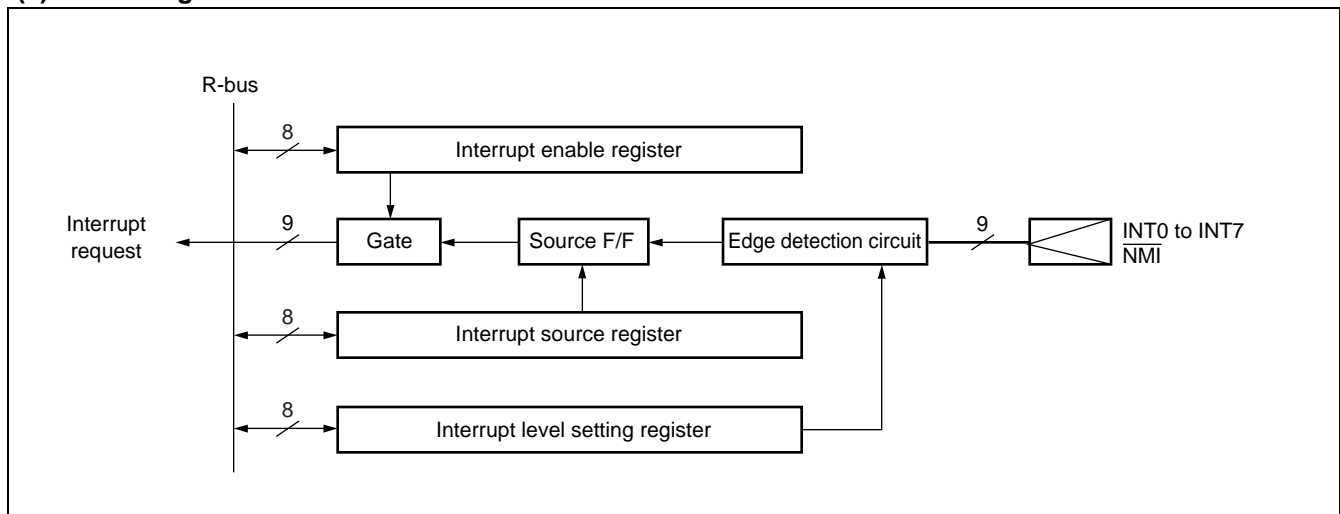
bit	15	14	13	12	11	10	9	8
	ER7	ER6	ER5	ER4	ER3	ER2	ER1	ER0

- Request level setting register (ELVR)

bit	15	14	13	12	11	10	9	8
	LB7	LA7	LB6	LA6	LB5	LA5	LB4	LA4

bit	7	6	5	4	3	2	1	0
	LB3	LA3	LB2	LA2	LB1	LA1	LB0	LA0

### (3) Block Diagram



## 3. REALOS Related Hardware

REALOS related hardware is used by the REALOS operating system. Therefore, when REALOS is in use, these resources cannot be used by user programs.

### • Delay Interrupt Module

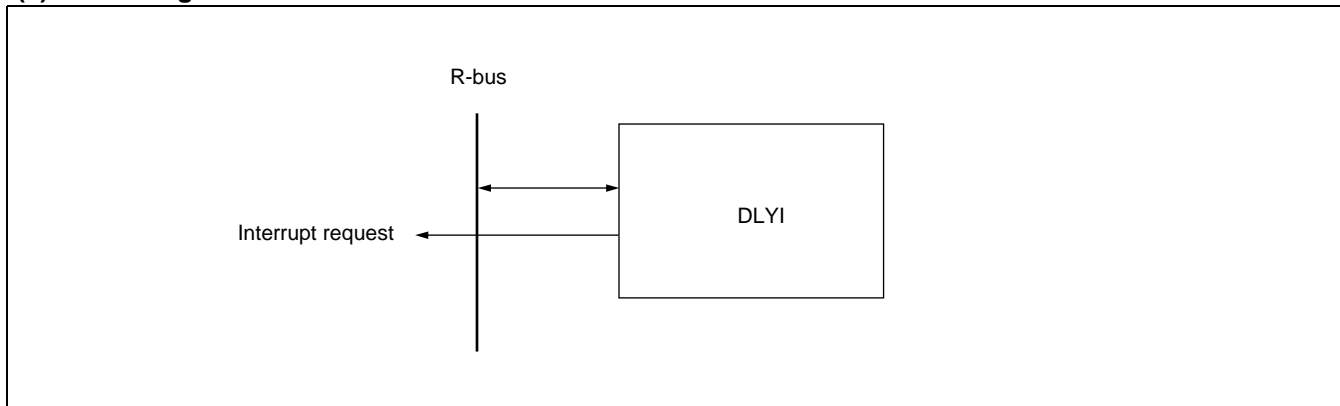
#### (1) Overview

The delay interrupt module is a module that generates interrupts for task switching. This module can be used with software instructions to generate and cancel interrupts to the CPU.

#### (2) Register List

		bit	7	6	5	4	3	2	1	0	
Address :	00000044H		—	—	—	—	—	—	—	DLYI	DICR
										[R/W]	

#### (3) Block Diagram



# MB91307 Series

## • Bit Search Module

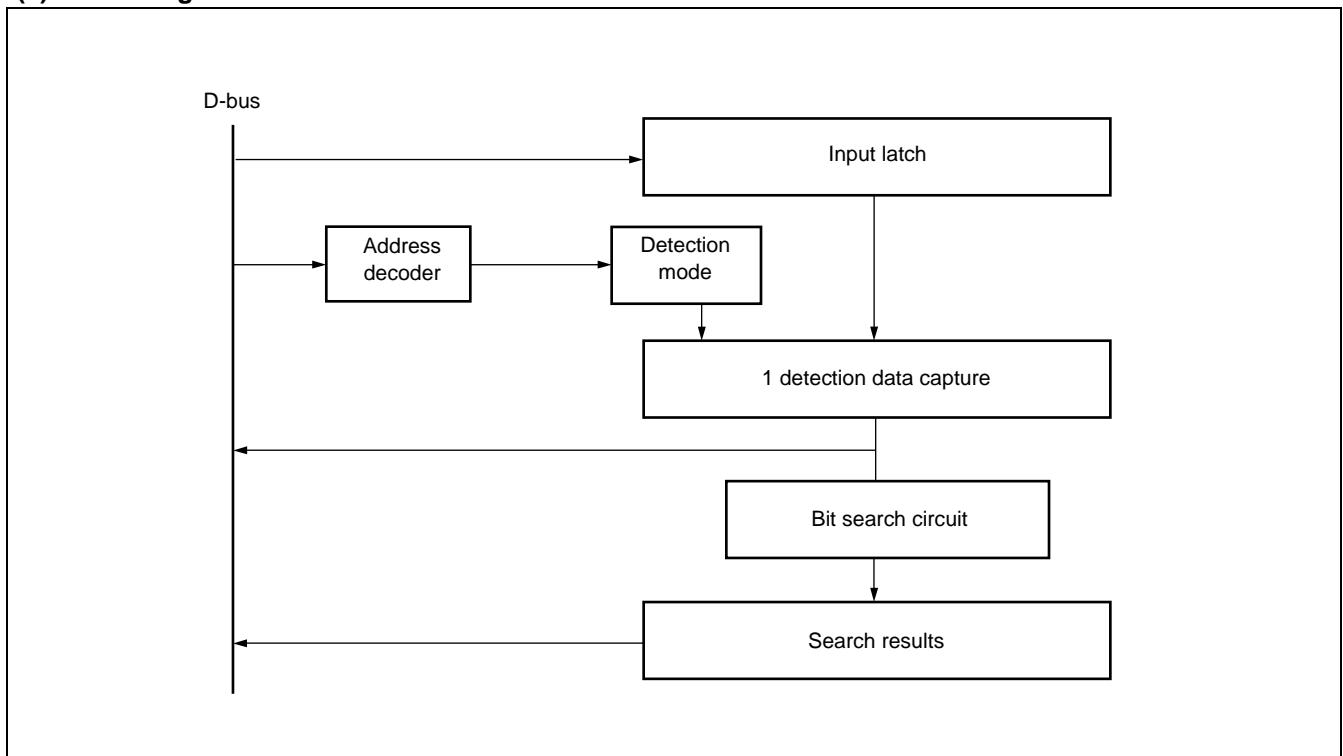
### (1) Overview

Searches data written to input registers for “0” or “1” or change points, and outputs the value of the detected bits.

### (2) Register List

	bit 31	0	
Address : 000003F0H	BSD0		0 detection data register
Address : 000003F4H	BSD1		1 detection data register
Address : 000003F8H	BSDC		Change point detection register
Address : 000003FCH	BSRR		Detection results register

### (3) Block Diagram



## 4. 16-bit Reload Timer

### (1) Overview

The 16-bit timer is configured from a 16-bit down-counter, 16-bit reload register, prescaler for internal count clock generation, and a control register.

For the input clock signal, a selection of three internal clock signals (peripheral clock multiplied by 2, 8, or 32) or external clock is provided.

The output pin (TOUT) produces a toggle output waveform at every underflow in reload mode, and a square wave indicating counting in progress in one-shot mode.

The input pin (TIN) can be used for event input in external event count mode, and trigger input or gate input in internal clock mode.

The external event count function can be used in reload mode or as a frequency multiplier in external clock mode.

The MB91306R/MB91307R contain 3 channels (0 to 2) of this timer.

### (2) Register List

- Control status register (TMCSR)

bit	15	14	13	12	11	10	9	8
	—	—	—	—	CSL1	CSL0	MOD2	MOD1
	7	6	5	4	3	2	1	0
	MOD0	—	OUTL	RELD	INTE	UF	CNTE	TRG

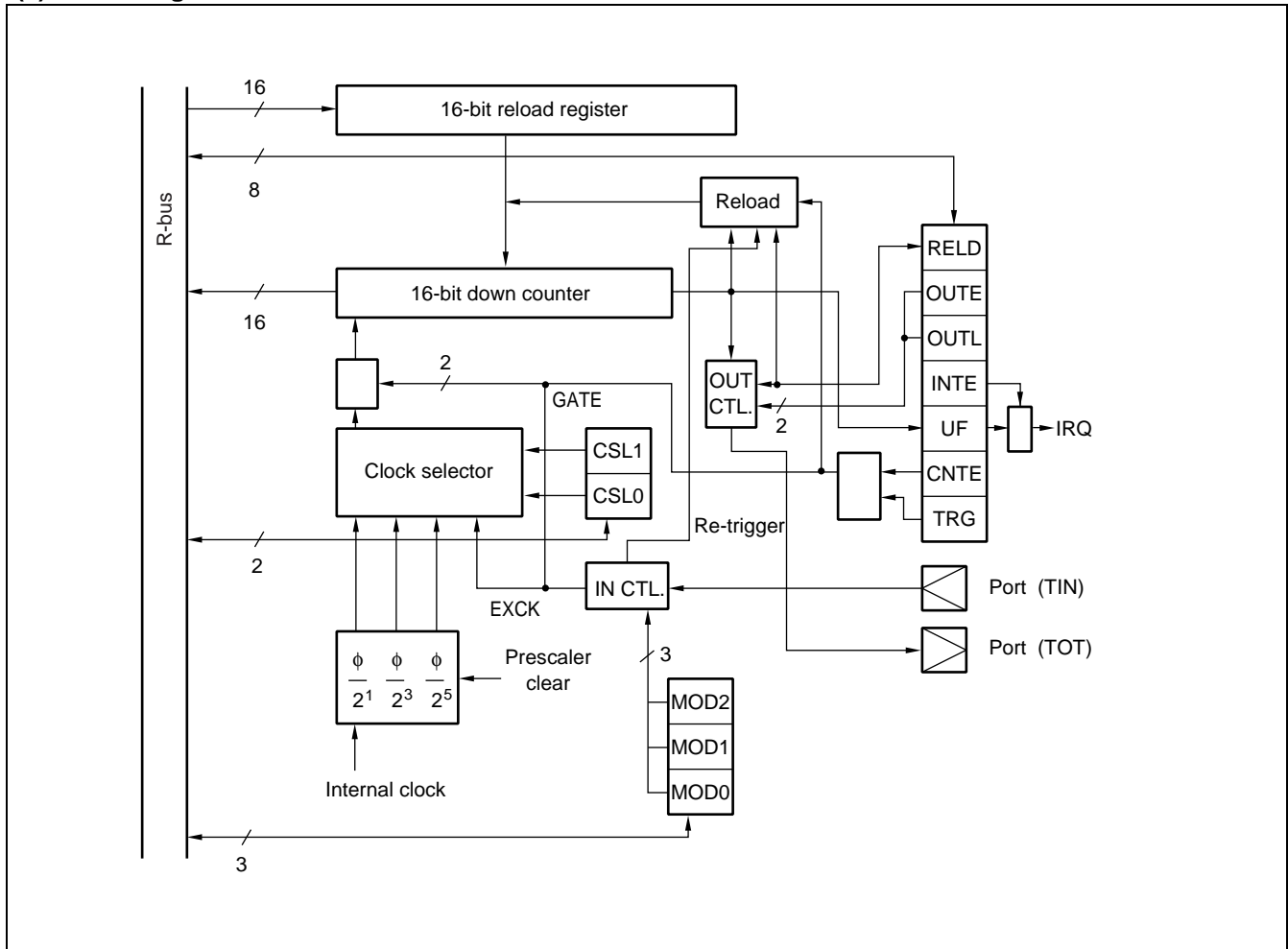
- 16-bit timer register (TMR)

15	0

- 16-bit reload register (TMRLR)

15	0

## (3) Block Diagram



## 5. U-TIMER (16 bit timer for UART baud rate generation)

### (1) Overview

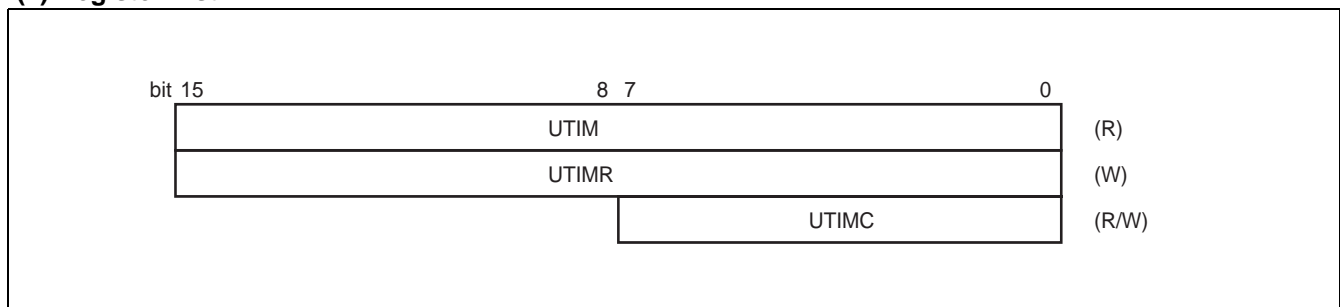
The U-TIMER is a 16-bit timer used to generate the baud rate for the UART. Any desired baud rate can be set using the combination of chip operating frequency and U-TIMER reload value.

The U-TIMER can also be used as an interval timer by generating an interrupt from a count underflow event.

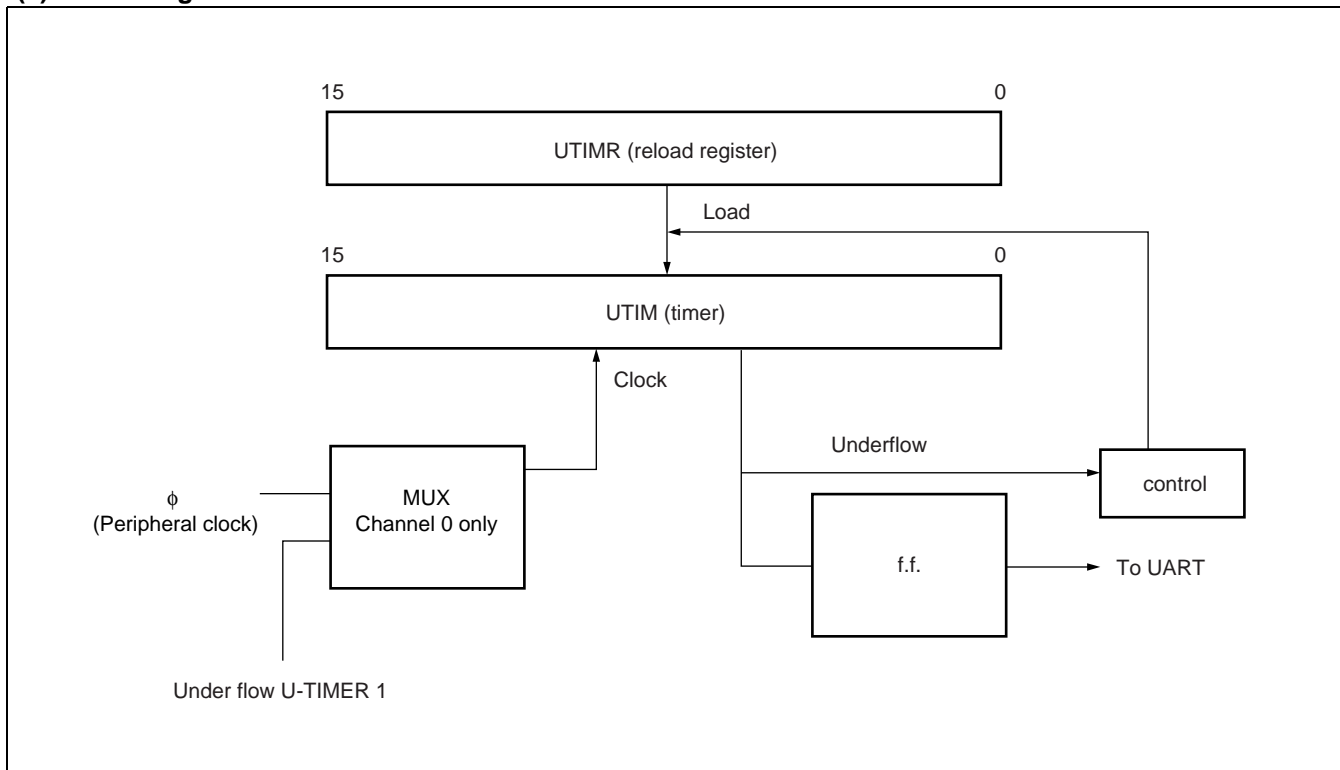
This device features a 3-channel built-in U-TIMER. By connecting two U-TIMER channels used as interval timers in a cascade connection, it is possible to count intervals up to a maximum of  $2^{32} \times \phi$ .

The available case connections are channel 0 to channel 1, and channel 1 to channel 2.

### (2) Register List



### (3) Block Diagram



# MB91307 Series

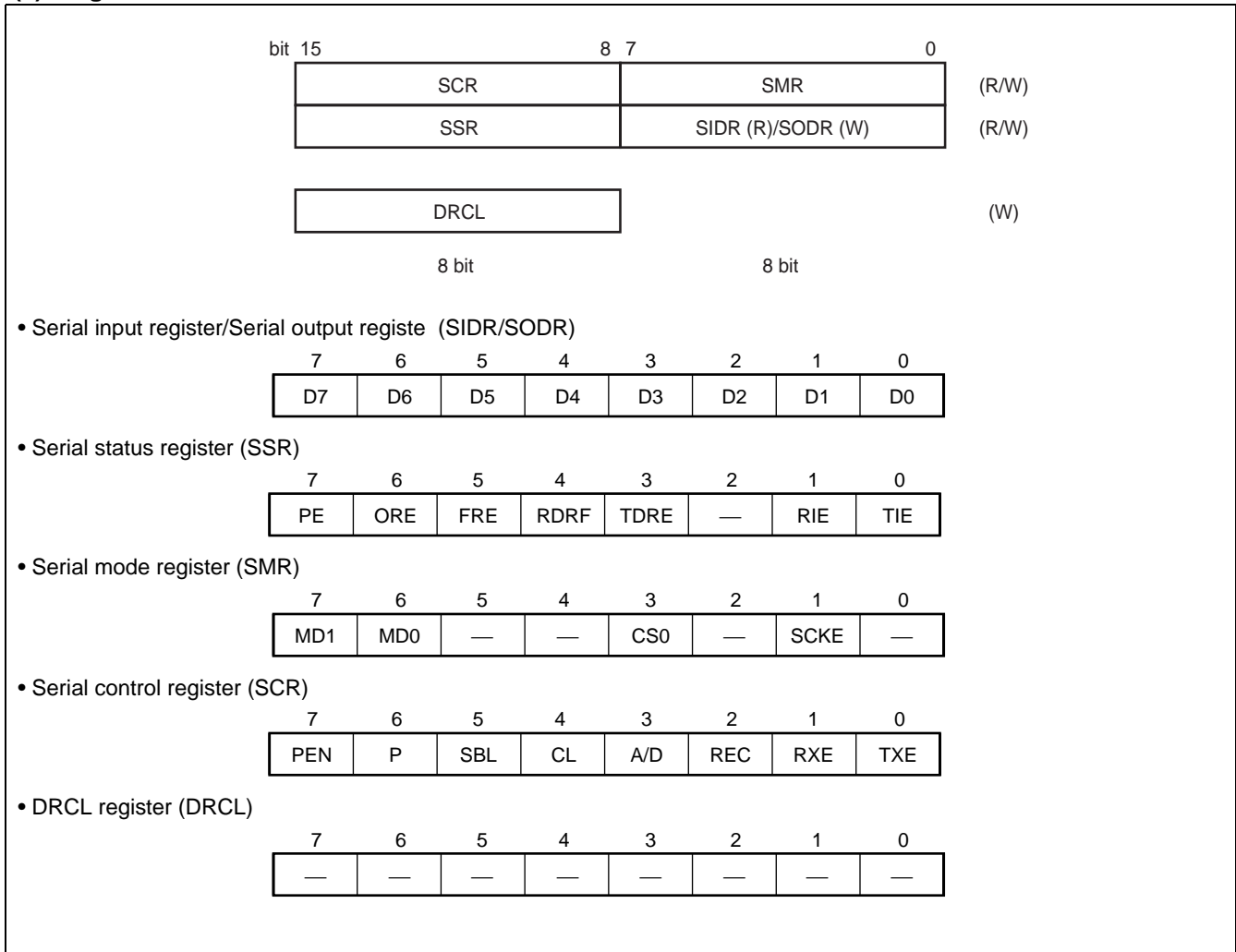
## 6. UART

### (1) Overview

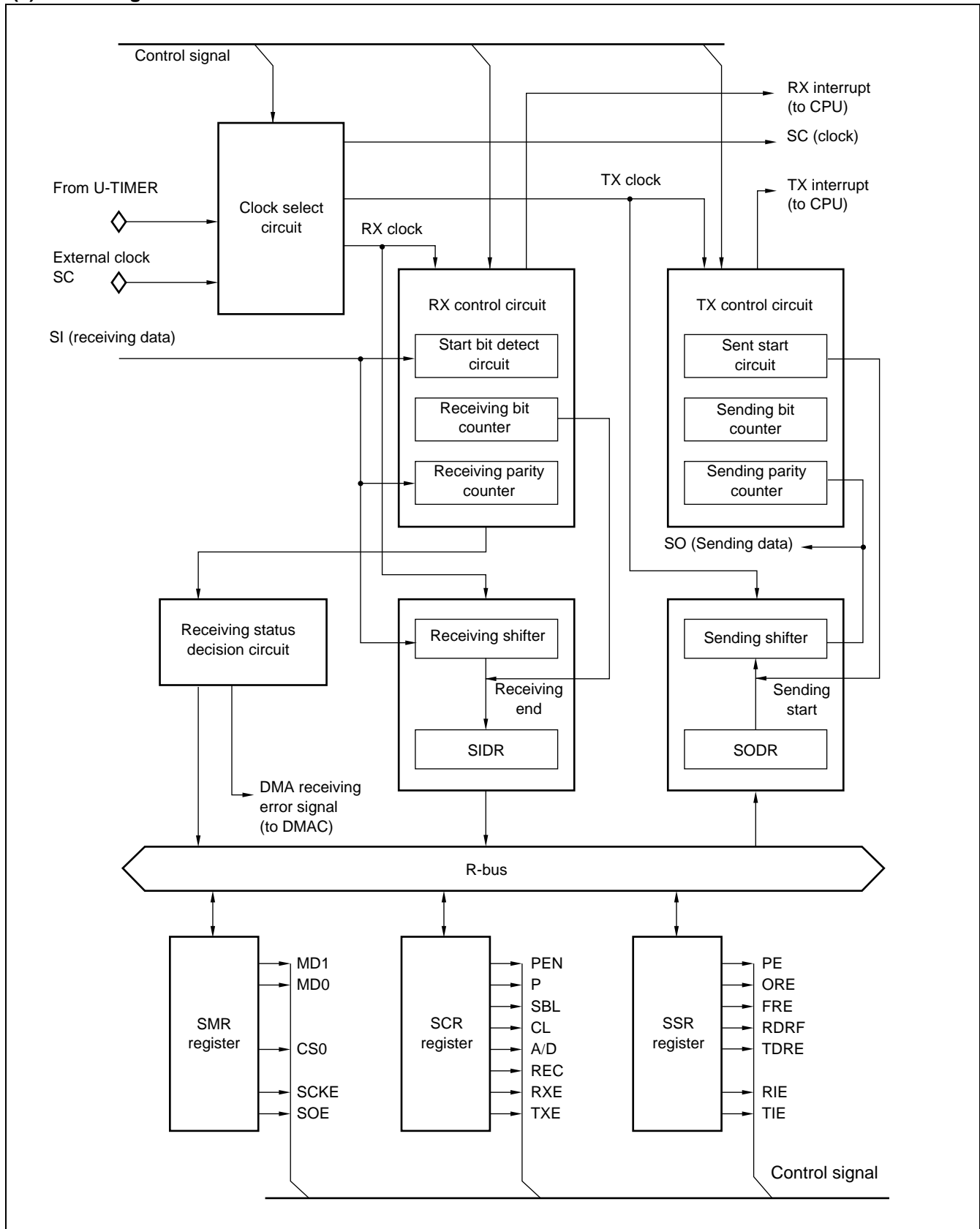
The UART is an I/O port for asynchronous (start-stop synchronized) or CLK synchronized transmission, providing the following features. This device features a 3-channel built-in UART.

- Full duplex double buffer
- Asynchronous (start-stop synchronized) or CLK synchronized transmission enabled
- Supports multi-processor mode
- Fully programmable baud rate
  - Built-in timer can be set to any desired baud rate (see U-TIMER description)
- Independent baud rate setting from external clock enabled.
- Error detection functions (parity, framing, overrun)
- Transfer signal NRZ encoded
- DMA transfer start from interrupt enabled
- DMAC interrupt source cleared by write operation to DRCL register.

### (2) Register List



## (3) Block Diagram



## 7. A/D Converter (Sequential comparison type)

### (1) Overview

This A/D converter is a module that converts analog input voltages to digital values, and provides the following features.

- Minimum conversion time 5.4  $\mu$ s/ch (at peripheral clock 33 MHz-CKLP)
- Built-in sample & hold circuit
- Resolution 10 bits (8-bit accuracy)
- Analog input: 4 channels by program selection
  - Single conversion mode: Conversion on 1 select channel
  - Scan conversion mode: Select continuous multiple channels. Up to 4 channels can be selected by program.
  - Continuous conversion mode: Continuous conversion on selected channel
  - Stop conversion mode: 1-channel conversion then pause and wait until the next start is applied  
(enables synchronized conversion start)
- DMA transfer start from interrupt enabled
- Start sources can be selected from software, external trigger (falling edge), reload timer (rising edge).

### (2) Register List

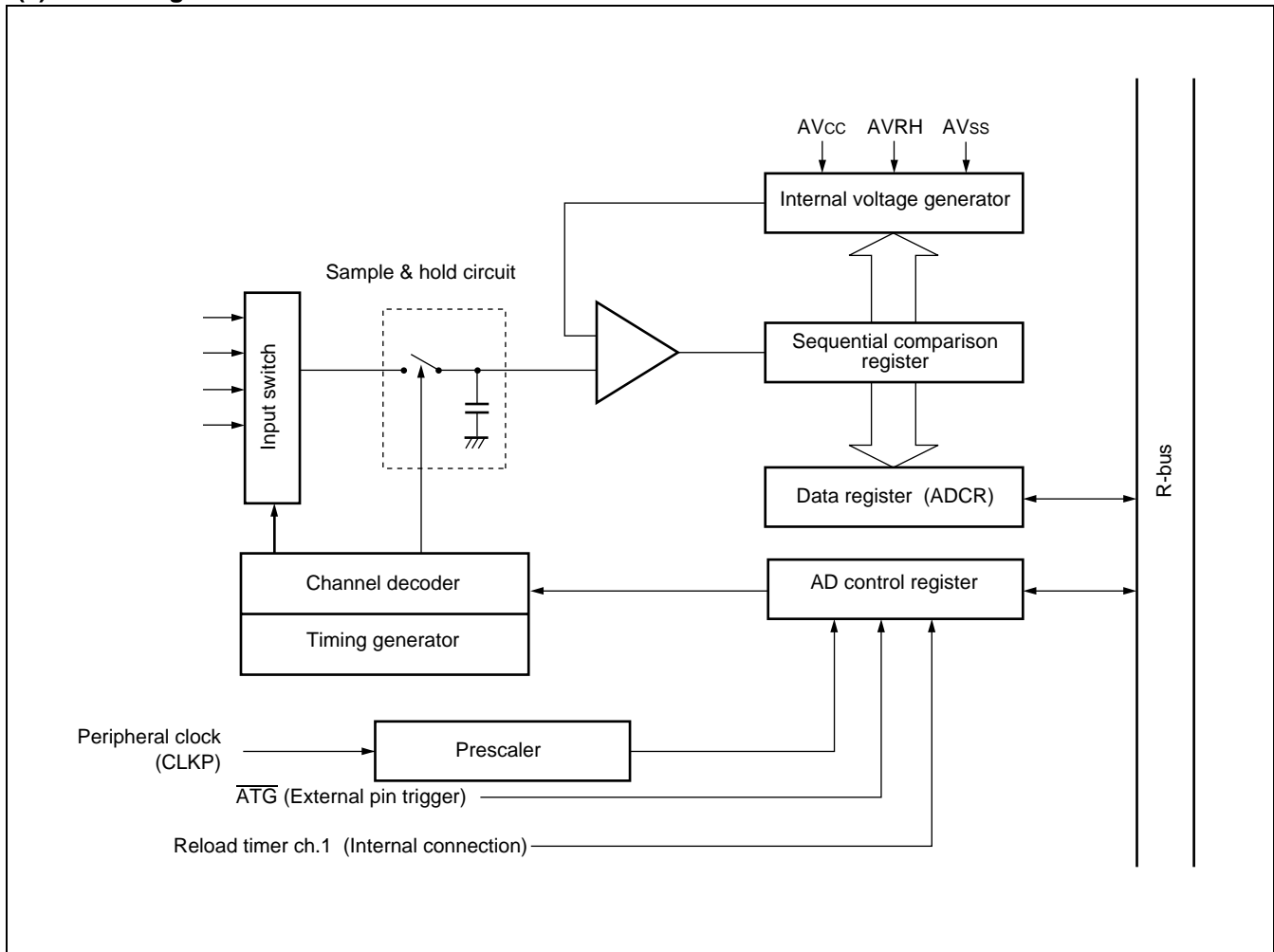
#### • Control status register (ADCS)

bit	15	14	13	12	11	10	9	8
	BUSY	INT	INTE	PAUS	STS1	STS0	STRT	—
bit	7	6	5	4	3	2	1	0
	MD1	MD0	ANS2	ANS1	ANS0	ANE2	ANE1	ANE0

#### • Data register (ADCR)

bit	15	14	13	12	11	10	9	8
	—	—	—	—	—	—	9	8
bit	7	6	5	4	3	2	1	0
	7	6	5	4	3	2	1	0

### (3) Block Diagram



### (4) Precautions for Use:

When the A/D converter is started from an external trigger or internal timer, the ADCS register A/D start source bits STS1, STS0 are set, and at this time the input values for the external trigger and internal timer should be set to the inactive side. If these values are set to the active side, abnormal operation may result.

When setting the STS1, STS0 bits, set  $\overline{ATG}$  = "1" input, reload timer (channel 1) = "0" output.

Note : If internal impedance is higher than the specified value, it may not be possible to obtain analog input value sampling within the specified sampling time, so that proper results will not be obtained.

## 8. I<sup>2</sup>C Interface

### (1) Overview

The I<sup>2</sup>C interface operates as a master/slave device on the I<sup>2</sup>C bus at serial I/O ports with IC bus support. The following features are provided.

- Master/slave sending and receiving
- Arbitration function
- Clock synchronization function
- Slave address/general call address detection function
- Transfer direction detection function
- Start condition repeat generation and detection function
- Bus error detection function
- 10-bit/7-bit master/slave addressing
- Compatible with standard mode (Max 100 Kbps) or high speed mode (Max 400 Kbps)
- Transfer end interrupt/bus error interrupt generation

### (2) Register List

#### • Bus Control Register (IBCR)

bit	15	14	13	12	11	10	9	8
Address : 000094H	BER	BEIE	SCC	MSS	ACK	GCAA	INTE	INT
Default value →	R/W 0	R/W 0	R/W 0	R/W 0	R/W 0	R/W 0	R/W 0	R/W 0

#### • Bus Status Register (IBSR)

	7	6	5	4	3	2	1	0
Address : 000095H	BB	RSC	AL	LRB	TRX	AAS	GCA	ADT
Default value →	R 0	R 0	R 0	R 0	R 0	R 0	R 0	R 0

#### • 10-Bit Slave Address Register

	15	14	13	12	11	10	9	8
Address : 000096H	—	—	—	—	—	—	TA9	TA8
Default value →	—	—	—	—	—	—	R/W 0	R/W 0

	7	6	5	4	3	2	1	0
Address : 000097H	TA7	TA6	TA5	TA4	TA3	TA2	TA1	TA0
Default value →	R/W 0	R/W 0	R/W 0	R/W 0	R/W 0	R/W 0	R/W 0	R/W 0

(Continued)

(Continued)

• 10-Bit Slave Address Mask Register (ITMK)

bit	15	14	13	12	11	10	9	8
Address : 000098 <sub>H</sub>	ENTB	RAL	—	—	—	—	TM9	TM8

Default value →	R/W 0	R 0	—	—	—	—	R/W 1	R/W 1
-----------------	----------	--------	---	---	---	---	----------	----------

	7	6	5	4	3	2	1	0
Address : 000099 <sub>H</sub>	TM7	TM6	TM5	TM4	TM3	TM2	TM1	TM0

Default value →	R/W 1	R/W 1	R/W 1	R/W 1	R/W 1	R/W 1	R/W 1	R/W 1
-----------------	----------	----------	----------	----------	----------	----------	----------	----------

• 7-Bit Slave Address Register (ISBA)

	7	6	5	4	3	2	1	0
Address : 00009B <sub>H</sub>	—	SA6	SA5	SA4	SA3	SA2	SA1	SA0

Default value →	—	R/W 0	R/W 0	R/W 0	R/W 0	R/W 0	R/W 0	R/W 0
-----------------	---	----------	----------	----------	----------	----------	----------	----------

• 7-Bit Slave Address Mask Register (ISMK)

	15	14	13	12	11	10	9	8
Address : 00009A <sub>H</sub>	ENSB	SM6	SM5	SM4	SM3	SM2	SM1	SM0

Default value →	R/W 0	R/W 1	R/W 1	R/W 1	R/W 1	R/W 1	R/W 1	R/W 1
-----------------	----------	----------	----------	----------	----------	----------	----------	----------

• Data Register (IDAR)

	7	6	5	4	3	2	1	0
Address : 00009D <sub>H</sub>	D7	D6	D5	D4	D3	D2	D1	D0

Default value →	R/W 0	R/W 0	R/W 0	R/W 0	R/W 0	R/W 0	R/W 0	R/W 0
-----------------	----------	----------	----------	----------	----------	----------	----------	----------

• Clock Control Register (ICCR)

	15	14	13	12	11	10	9	8
Address : 00009E <sub>H</sub>	TEST	—	EN	CS4	CS3	CS2	CS1	CS0

Default value →	W 0	—	R/W 0	R/W 1	R/W 1	R/W 1	R/W 1	R/W 1
-----------------	--------	---	----------	----------	----------	----------	----------	----------

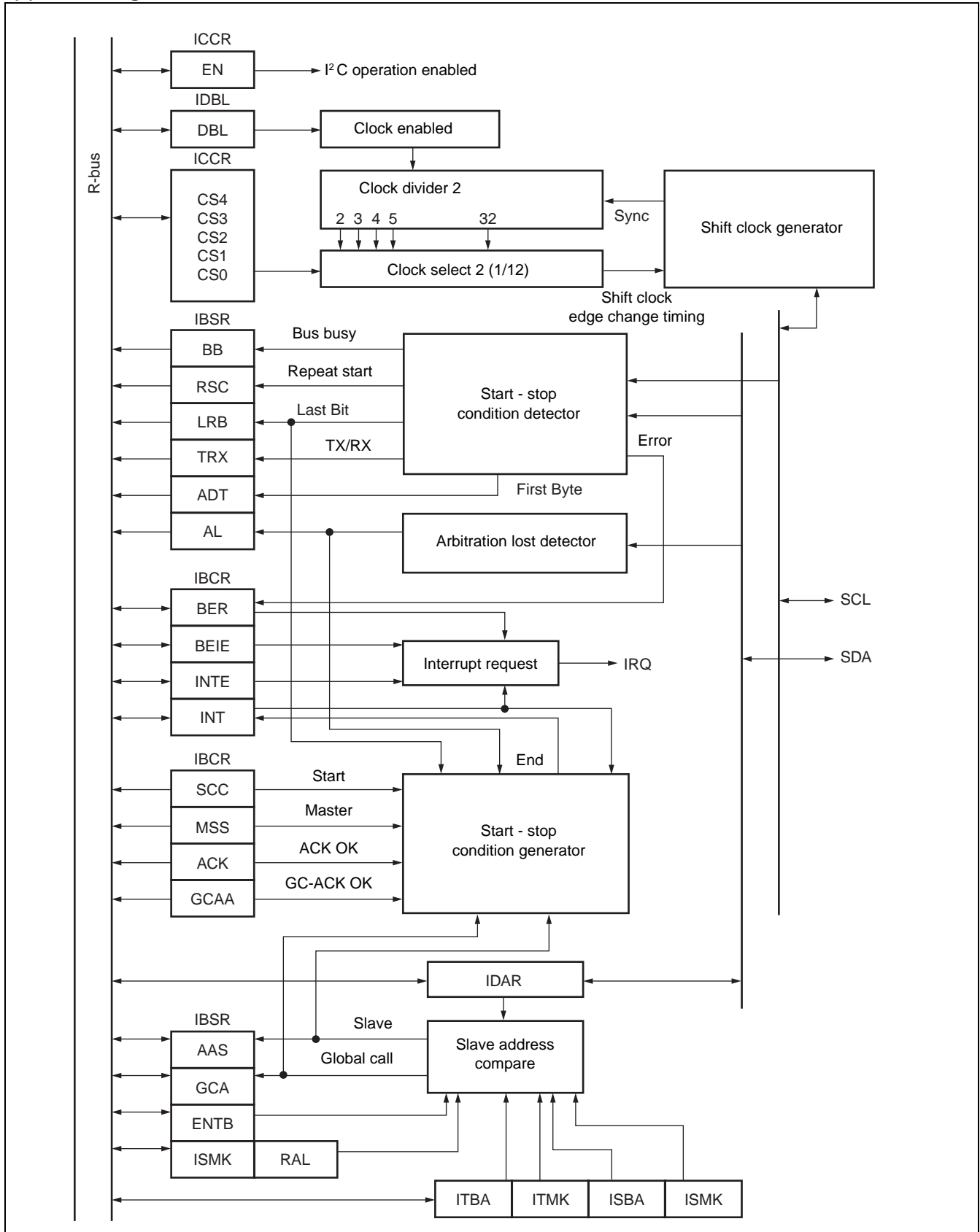
• Clock Disable Register (IDBL)

	7	6	5	4	3	2	1	0
Address : 00009F <sub>H</sub>	—	—	—	—	—	—	—	DBL

Default value →	—	—	—	—	—	—	—	R/W 0
-----------------	---	---	---	---	---	---	---	----------

# MB91307 Series

## (3) Block Diagram



## 9. DMAC (DMA Controller)

### (1) Overview

This module is used to accomplish DMA (Direct Memory Access) transfer on FR family devices.

DMA transfer controlled by this module increases system performance by enabling high speed transfer of many types of data without going through the CPU.

#### •Hardware Configuration

This module is principally configured from the following units:

- Five independent DMA channels
- 5 channels independent access control circuit
- 32-bit address registers (reload enabled: 2 per channel)
- 16-bit transfer count registers (reload enabled: 2 per channel)
- 4-bit block count registers (1 per channel)
- External transfer request input pins: DREQ0,DREQ1,DREQ2 (ch.0, ch.1, ch.2 only)
- External transfer request acknowledge output pins: DACK0,DACK1,DACK2 (ch.0, ch.1, ch.2 only)
- DMA output completed pins: DEOP0,DEOP1,DEOP2 (ch.0, ch.1, ch.2 only)
- Fly-by transfer (memory to I/O, memory to memory) (ch.0, ch.1, ch.2 only)
- Two-cycle transfer

#### •Principal Functions

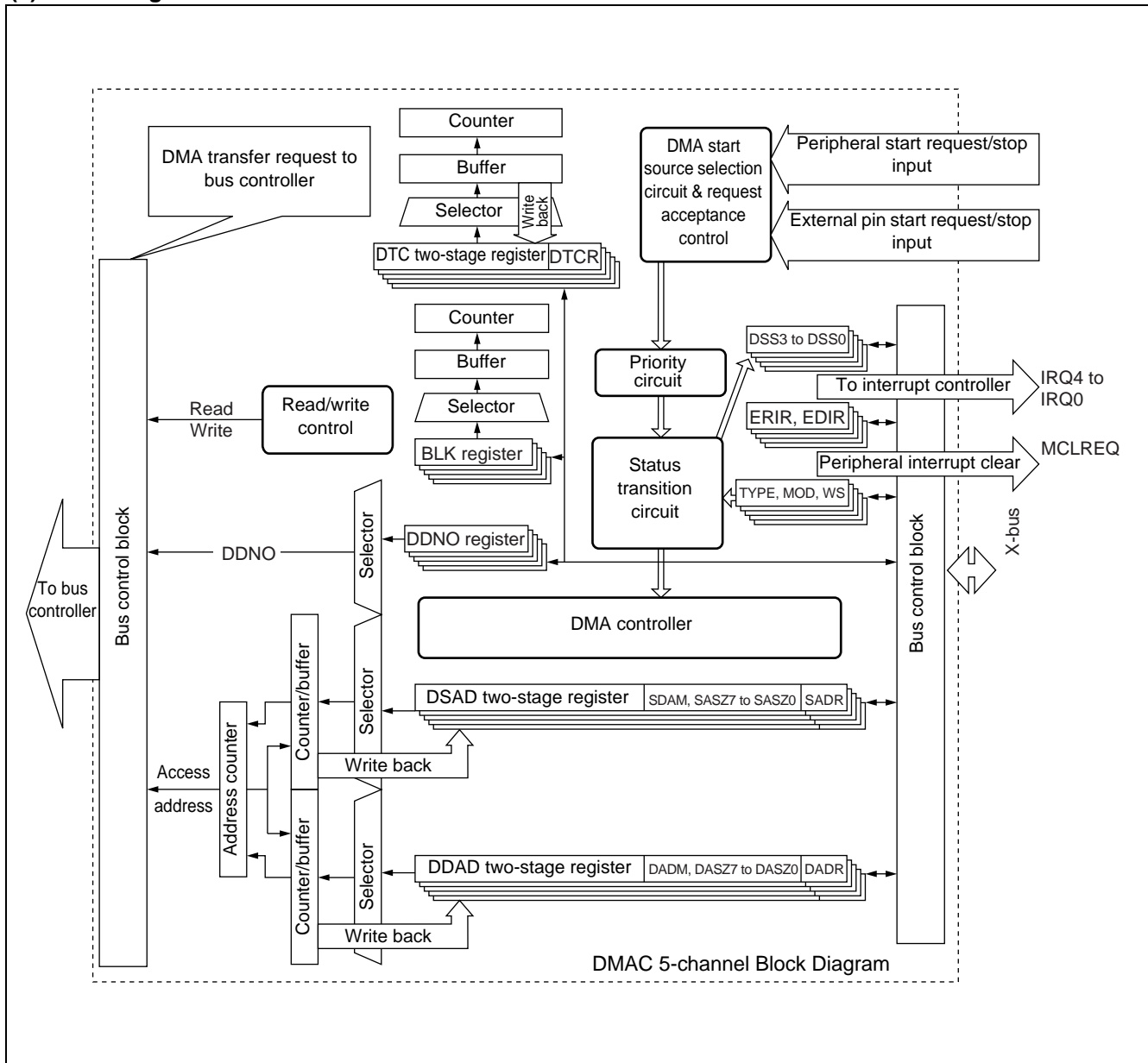
Data transfer using the DMAC module primarily involves the following functions:

- Supports independent data transfer on multiple channels (5 channels)
  - (1) Order of priority (ch.0 > ch.1 > ch.2 > ch.3 > ch.4)
  - (2) The order can be reversed between ch.0 and ch.1.
  - (3) DMAC startup sources
    - Input from an external-only pin (edge detection/level detection, ch.0, ch.1, ch.2 only)
    - Request from a built-in peripheral (shared interrupt request, including external interrupts)
    - Software request (register write)
  - (4) Transfer modes
    - Demand transfer / burst transfer / step transfer / block transfer
    - Addressing mode 32-bit full address designation (increment/decrement/fixed)  
(address increment can be specified up to -255 to +255)
    - Data type, byte / half-word / word length
    - Single-shot / reload selection available

## (2) Register Descriptions

		(bit)	31	24	23	16	15	08	07	00
ch.0 Control/status register A	DMACA0	0000200H	<input type="text"/>							
ch.0 Control/status register B	DMACB0	0000204H	<input type="text"/>							
ch.1 Control/status register A	DMACA1	0000208H	<input type="text"/>							
ch.1 Control/status register B	DMACB1	000020CH	<input type="text"/>							
ch.2 Control/status register A	DMACA2	0000210H	<input type="text"/>							
ch.2 Control/status register B	DMACB2	0000214H	<input type="text"/>							
ch.3 Control/status register A	DMACA3	0000218H	<input type="text"/>							
ch.3 Control/status register B	DMACB3	000021CH	<input type="text"/>							
ch.4 Control/status register A	DMACA4	0000220H	<input type="text"/>							
ch.4 Control/status register B	DMACB4	0000224H	<input type="text"/>							
Overall control register	DMACR	0000240H	<input type="text"/>							
ch.0 Transfer source address register	DMASA0	0001000H	<input type="text"/>							
ch.0 Transfer destination address register	DMADA0	0001004H	<input type="text"/>							
ch.1 Transfer source address register	DMASA1	0001008H	<input type="text"/>							
ch.1 Transfer destination address register	DMADA1	000100CH	<input type="text"/>							
ch.2 Transfer source address register	DMASA2	0001010H	<input type="text"/>							
ch.2 Transfer destination address register	DMADA2	0001014H	<input type="text"/>							
ch.3 Transfer source address register	DMASA3	0001018H	<input type="text"/>							
ch.3 Transfer destination address register	DMADA3	000101CH	<input type="text"/>							
ch.4 Transfer source address register	DMASA4	0001020H	<input type="text"/>							
ch.4 Transfer destination address register	DMADA4	0001024H	<input type="text"/>							

## (3) Block Diagram



## 10. External Interface

### (1) Overview

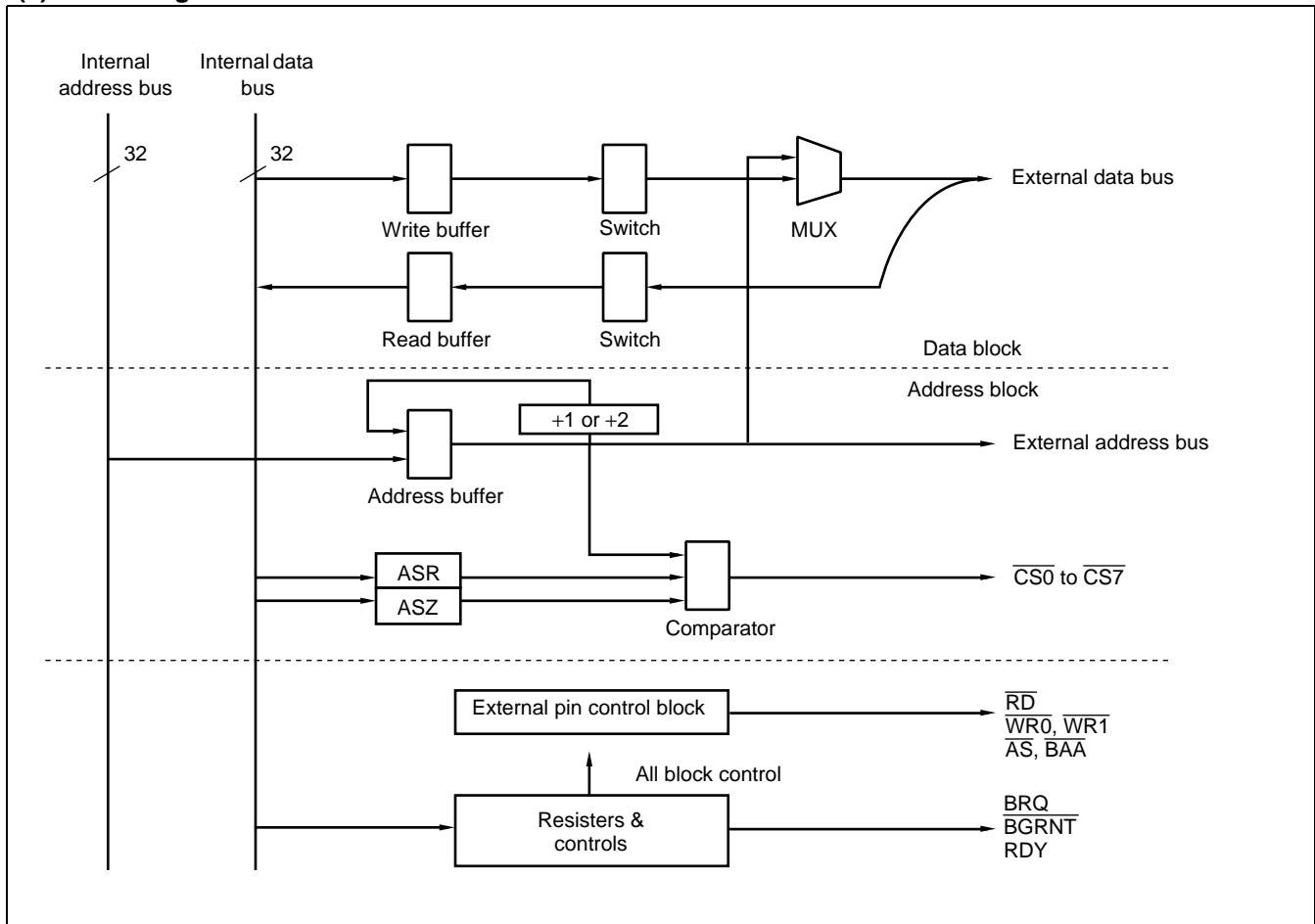
The external interface controller controls the interface between the LSI's internal bus and external memory or I/O devices.

This section describes the functions of the external interface.

### (2) Features

- Up to 32 bit-length (4G bytes space) address output.
- Connects directly to many external memory (8 bit/16 bit) devices, allows control of multiple access timings.  
Asynchronous SRAM, asynchronous ROM/Flash memory (multiple write strobe type or byte enable type)  
Page mode ROM/flash memory (2/4/8 page size enabled)  
Burst ROM/Flash memory (MBM29BL160D/161D/162D etc.)  
Address/data multiplexed bus (8 bit/16 bit width only)  
Synchronous memory\* (ASIC built-in memory etc.)  
\*: Does not connect to synchronous SRAM.
- 8 independent bank (chip select area) settings, each with corresponding chip select output available  
Each area size can be set in multiples of 64K bytes (from 64K bytes to 2G bytes per chip select area).  
Each area can be set in any desired area of logic address space (boundaries limited by area size).
- The following functions can be independently set for each chip select area.  
Chip select area enable/disable (no access to prohibited areas)  
Access timing type setting for each area, etc.  
Detailed access timing settings (individual access type settings for wait cycle, etc.)  
Data bus width setting (8 bit/16 bit)  
Byte ordering endian setting\* (big or little).  
\*:  $\overline{CS0}$  area available with big endian only.  
Write prohibited setting (read-only areas)  
Internal cache loading enable/disable settings  
Pre-fetch function enable/disable settings  
Maximum burst length setting (1,2,4,8)
- Different detailed timing settings for each access timing type  
Different settings can be used for each chip select area even for the same access timing type.  
Auto wait setting up to 15 cycles (asynchronous SRAM, ROM, Flash, I/O areas)  
Bus cycle extension with external RDY input enabled (asynchronous SRAM, ROM, Flash, I/O areas)  
First access wait and page wait settings enabled (burst, page mode ROM/FLASH areas)  
Different idle, recovery cycles setup delay insertion etc. enabled
- Fly-by transfer with DMA enabled  
Transfer between memory and I/O with 1 access  
Memory wait cycle can be synchronized with I/O wait cycle during fly-by  
Hold time can be obtained by delaying transfer source access only  
Specific idle/recovery cycles can be set for fly-by transfer
- External bus arbitration using BRQ and  $\overline{BGRNT}$  enabled
- Pins not used in external interface can be set for use as general purpose I/O ports

## (3) Block Diagram



## (4) I/O Pins

These are the external interface pins. (Some pins have dual functions.)

### < Normal bus interface >

A24 to A0, D31 to D16

$\overline{CS0}$ ,  $\overline{CS1}$ ,  $\overline{CS2}$ ,  $\overline{CS3}$ ,  $\overline{CS4}$ ,  $\overline{CS5}$ ,  $\overline{CS6}$ ,  $\overline{CS7}$

$\overline{AS}$ , SYSCLK, MCLK

$\overline{RD}$

$\overline{WE}$ ,  $\overline{WR0}$  ( $\overline{UUB}$ ),  $\overline{WR1}$  ( $\overline{ULB}$ )

RDY, BRQ,  $\overline{BGRNT}$

### < Memory interface >

MCLK

$\overline{LBA}$  (=  $\overline{AS}$ ),  $\overline{BAA}^*$

\*: For burst ROM, Flash use

# MB91307 Series

## < DMA interface >

$\overline{\text{IOWR}}$ ,  $\overline{\text{IORD}}$

DACK0, DACK1, DACK2

DREQ0, DREQ1, DREQ2

DEOP0/DSTP0, DEOP1/DSTP1, DEOP2/DSTP2

## (5) Register List

Address	bit31	24 23	16 15	8 7	0
00000640H	ASR0		ACR0		
00000644H	ASR1		ACR1		
00000648H	ASR2		ASR2		
0000064CH	ASR3		ACR3		
00000650H	ASR4		ACR4		
00000654H	ASR5		ACR5		
00000658H	ASR6		ACR6		
0000065CH	ASR7		ACR7		
00000660H	AWR0		AWR1		
00000664H	AWR2		AWR3		
00000668H	AWR4		AWR5		
0000066CH	AWR6		AWR7		
00000670H	Reserved	Reserved	Reserved	Reserved	
00000674H	Reserved	Reserved	Reserved	Reserved	
00000678H	IOWR0	IOWR1	IOWR2	Reserved	
0000067CH	Reserved	Reserved	Reserved	Reserved	
00000680H	CSER	CHER	Reserved	TCR	
00000684H	Reserved	Reserved	Reserved	Reserved	
00000688H	Reserved	Reserved	Reserved	Reserved	
0000068CH	Reserved	Reserved	Reserved	Reserved	
...	...	...	...	...	
000007F8H	Reserved	Reserved	Reserved	Reserved	
000007FCH	Reserved	(MODR)	Reserved	Reserved	

Reserved: This address is reserved, and should always be set to "0."

MODR: Cannot be accessed from user programs.

## ■ ELECTRICAL CHARACTERISTICS

### 1. Absolute Maximum Ratings

Parameter	Symbol	Rating		Unit	Remarks
		Min	Max		
Supply voltage*1	$V_{CC}$	$V_{SS} - 0.5$	$V_{SS} + 4.0$	V	*2
Internal supply voltage	$V_{CCI}$	$V_{SS} - 0.5$	$V_{SS} + 2.2$	V	*2
Analog supply voltage	$AV_{CC}$	$V_{SS} - 0.5$	$V_{SS} + 4.0$	V	*3
Analog reference voltage	$AVRH$	$V_{SS} - 0.5$	$V_{SS} + 4.0$	V	*3
Input voltage*1	$V_I$	$V_{SS} - 0.3$	$V_{CC} + 0.3$	V	*8
Analog pin input voltage	$V_{IA}$	$V_{SS} - 0.3$	$AV_{CC} + 0.3$	V	
Output voltage*1	$V_O$	$V_{SS} - 0.3$	$V_{CC} + 0.3$	V	*8
Maximum clamp current	$I_{CLAMP}$	-2.0	2.0	mA	*7
Total maximum clamp current	$\Sigma  I_{CLAMP} $	—	20	mA	*7
“L” level maximum output current	$I_{OL}$	—	10	mA	*4
“L” level average output current	$I_{OLAV}$	—	8	mA	*5
“L” level maximum total output current	$\Sigma I_{OL}$	—	100	mA	
“L” level average total output current	$\Sigma I_{OLAV}$	—	50	mA	*6
“H” level maximum output current	$I_{OH}$	—	-10	mA	*4
“H” level average output current	$I_{OHAV}$	—	-4	mA	*5
“H” level maximum total output current	$\Sigma I_{OH}$	—	-50	mA	
“H” level average total output current	$\Sigma I_{OHAV}$	—	-20	mA	*6
Power consumption	$P_D$	—	750	mW	
Operating temperature	$T_A$	0	+70	°C	
Storage temperature	$T_{STG}$	—	+150	°C	

\*1 : The parameter is based on  $V_{SS} = AV_{SS} = 0$  V.

\*2 :  $V_{CC}$  must not be lower than  $V_{SS} - 0.3$  V.

\*3 :  $AV_{CC}$  and  $AVRH$  shall never exceed  $V_{CC} + 0.3$  V. Also  $AVRH$  shall never exceed  $AV_{CC}$ .

\*4 : Maximum output current determines the peak value of any one of the corresponding pins.

\*5 : Average output current is defined as the value of the average current in 100 ms period at any one of the corresponding pins.

\*6 : Average total output current is defined as the value of the average current in 100 ms period at all of the corresponding pins.

\*7 : • Applicable to pins : P20 to P27, P60 to P67, P70, PJ0 to PJ7, PI0 to PI5, PH0 to PH7, PB0 to PB5, PA0 to PA7, P80 to P82, P85, P90 to P97, AN0 to AN3

• Use within recommended operating conditions.

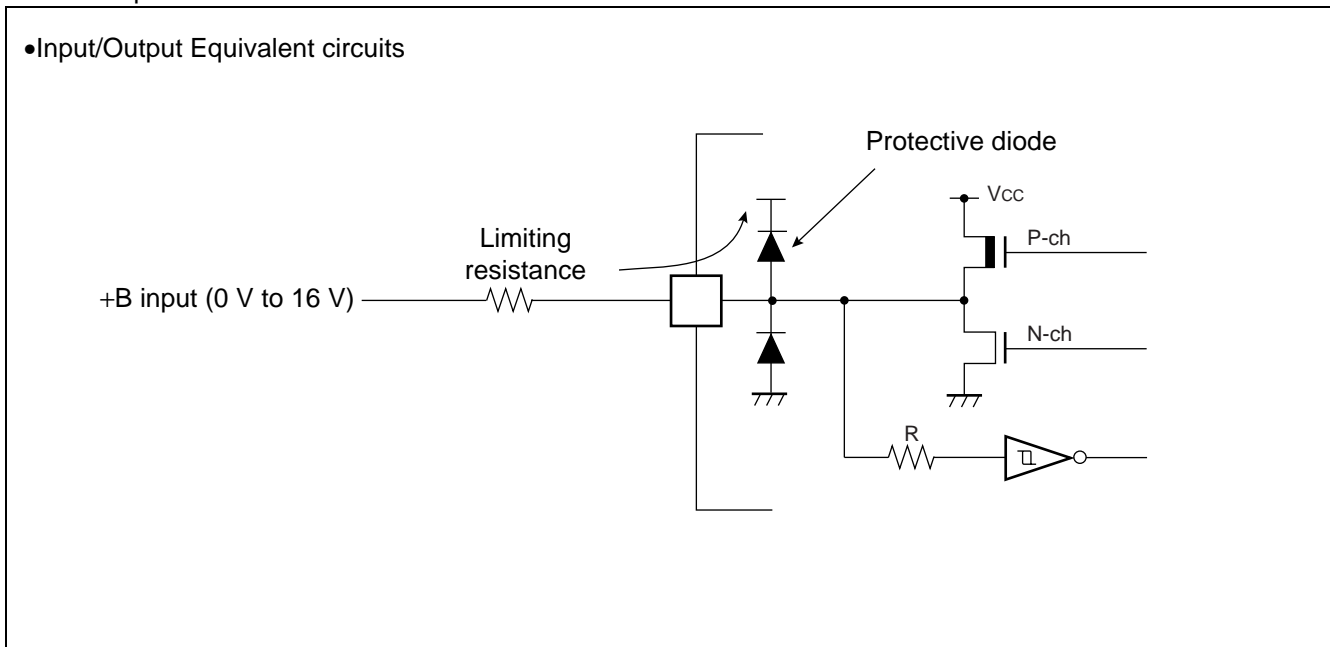
• Use at DC voltage (current) .

• The +B signal should always be applied with a limiting resistance placed between the +B signal and the microcontroller.

• The value of the limiting resistance should be set so that when the +B signal is applied the input current to the microcontroller pin does not exceed rated values, either instantaneously or for prolonged periods.

# MB91307 Series

- Note that when the microcontroller drive current is low, such as in the power saving modes, the +B input potential may pass through the protective diode and increase the potential at the  $V_{CC}$  pin, and this may affect other devices.
- Note that if a +B signal is input when the microcontroller current is off (not fixed at 0 V), the power supply is provided from the pins, so that incomplete operation may result.
- Note that if the +B input is applied during power-on, the power supply is provided from the pins and the resulting supply voltage may not be sufficient to operate the power-on reset.
- Care must be taken not to leave the +B input pin open.
- Note that analog system input/output pins other than the A/D input pins (LCD drive pins, comparator input pins, etc.) cannot accept +B signal input.
- Sample recommended circuits :



\*8 :  $V_I$  and  $V_O$  must not exceed  $V_{CC} + 0.3V$ . However if the maximum current to/from an input is limited by some means with external components, the  $I_{CLAMP}$  rating supersedes the  $V_I$  rating.

**WARNING:** Semiconductor devices can be permanently damaged by application of stress (voltage, current, temperature, etc.) in excess of absolute maximum ratings. Do not exceed these ratings.

## 2. Recommended Operating Conditions

( $V_{SS} = AV_{SS} = 0\text{ V}$ )

Parameter	Symbol	Value		Unit	Remarks
		Min	Max		
Supply voltage	$V_{CC}$	3.0	3.6	V	
	$V_{CCI}$	1.65	1.95	V	
Analog supply voltage	$AV_{CC}$	$V_{SS} - 0.3$	$V_{SS} + 3.6$	V	
Analog reference voltage	$AV_{RH}$	$AV_{SS}$	$AV_{CC}$	V	
Operating temperature	$T_A$	0	+70	°C	

**WARNING:** The recommended operating conditions are required in order to ensure the normal operation of the semiconductor device. All of the device's electrical characteristics are warranted when the device is operated within these ranges.

Always use semiconductor devices within their recommended operating condition ranges. Operation outside these ranges may adversely affect reliability and could result in device failure.

No warranty is made with respect to uses, operating conditions, or combinations not represented on the data sheet. Users considering application outside the listed conditions are advised to contact their representatives beforehand.

# MB91307 Series

## 3. DC Characteristics

( $V_{CCI} = 1.65\text{ V to }1.95\text{ V}$ ,  $V_{CC} = 3.0\text{ V to }3.6\text{ V}$ ,  $V_{SS} = AV_{SS} = 0\text{ V}$ ,  $T_A = 0\text{ }^\circ\text{C to }+70\text{ }^\circ\text{C}$ )

Parameter	Symbol	Pin name	Condition	Value			Unit	Remarks
				Min	Typ	Max		
“H” level input voltage	$V_{IH}$	See note *	—	$0.7 \times V_{CC}$	—	$V_{CC} + 0.3$	V	
	$V_{HIS}$	Input pins other than *	—	$0.8 \times V_{CC}$	—	$V_{CC} + 0.3$	V	Hysteresis input
“L” level input voltage	$V_{IL}$	See note *	—	$V_{SS}$	—	$0.25 \times V_{CC}$	V	
	$V_{ILS}$	Input pins other than *	—	$V_{SS}$	—	$0.2 \times V_{CC}$	V	Hysteresis input
“H” level output voltage	$V_{OH}$	D16 to D31 A00 to A25 P6 to PH	$V_{CC} = 3.0\text{ V}$ $I_{OH} = -4.0\text{ mA}$	$V_{CC} - 0.5$	—	$V_{CC}$	V	
“L” level output voltage	$V_{OL}$	D16 to D31 A00 to A25 P6 to PH	$V_{CC} = 3.0\text{ V}$ $I_{OL} = 8.0\text{ mA}$	$V_{SS}$	—	0.4	V	
Input leak current (Hi-Z output leak current)	$I_{LI}$	D16 to D31 A00 to A25 P8 to PH	$V_{CC} = 3.6\text{ V}$ $0.45\text{ V} < V_I < V_{CC}$	-5	—	+5	$\mu\text{A}$	
Pull-up resistance	$R_{UP}$	$\overline{INIT}$	$V_{CC} = 3.6\text{ V}$ $V_I = 0.45\text{ V}$	12	25	100	$\text{k}\Omega$	
Pull-down resistance	$R_{DOWN}$	P82/BRQ	$V_{CC} = 3.6\text{ V}$ $V_I = 3.3\text{ V}$	12	25	100	$\text{k}\Omega$	
Supply current	$I_{CC}$	$V_{CC}+V_{CCI}$	$f_C = 16.5\text{ MHz}$ $V_{CC} = 3.3\text{ V}$ $V_{CCI} = 1.8\text{ V}$	—	150	—	$\text{mA}$	(4x multiplied) 66 MHz operation
	$I_{CCS}$		$f_C = 16.5\text{ MHz}$ $V_{CC} = 3.3\text{ V}$ $V_{CCI} = 1.8\text{ V}$	—	50	—	$\text{mA}$	Sleep mode
	$I_{CCH}$		$T_A = 25\text{ }^\circ\text{C}$ $V_{CC} = 3.3\text{ V}$ $V_{CCI} = 1.8\text{ V}$	—	150	—	$\mu\text{A}$	Stop mode
Input capacitance	$C_{IN}$	Other than: $V_{CC}$ $V_{SS}$ $AV_{CC}$ $AV_{SS}$	—	—	5	15	$\text{pF}$	

\* : Pins without hysteresis input pins: D16 to D31, RDY, BRQ,  $\overline{INIT}$

## 4. AC Characteristics

### (1) Clock Timing Standards

( $V_{CCI} = 1.65\text{ V to }1.95\text{ V}$ ,  $V_{CC} = 3.0\text{ V to }3.6\text{ V}$ ,  $V_{SS} = AV_{SS} = 0\text{ V}$ ,  $T_A = 0\text{ }^\circ\text{C to }+70\text{ }^\circ\text{C}$ )

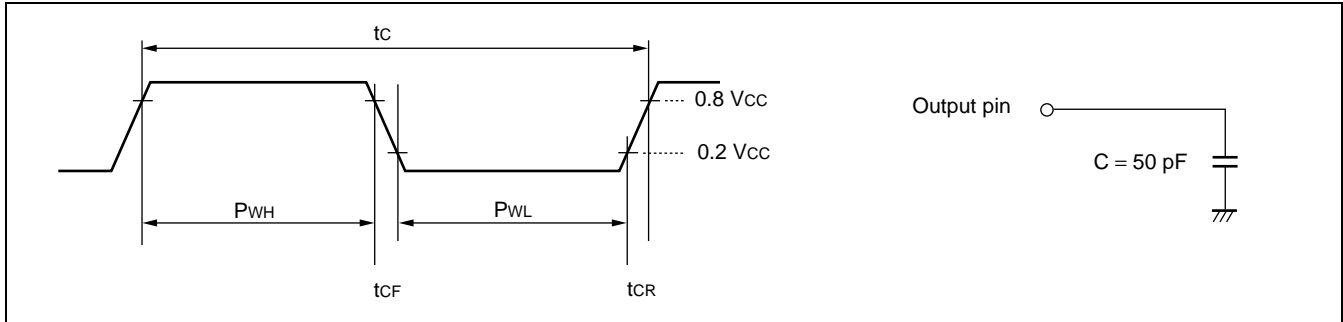
Parameter	Symbol	Pin name	Condition	Value		Unit	Remarks	
				Min	Max			
Clock frequency (1)	$f_c$	X0 X1	—	12.5	16.5	MHz	PLL system*1 (self oscillation 16.5MHz, multiplied x4, maximum internal operation 66MHz)	
Clock cycle time	$t_c$	X0 X1		—	60.6	ns		
Clock frequency (2)	$f_c$	X0 X1	—	10	33	MHz	Self oscillation (x1/2 frequency input)	
Clock frequency (3)	$f_c$	X0 X1		10	33	MHz	External clock	
Clock cycle time	$t_c$	X0 X1		40	100	ns		
Input clock pulse width	$P_{WH}$ $P_{WL}$	X0 X1		16	—	ns		
Input clock rise, fall time	$t_{CR}$ $t_{CF}$	X0 X1		—	8	ns		( $t_{CR} + t_{CF}$ )
Internal operating clock frequency	$f_{CP}$	—		—	$0.78^{*2}$	66		MHz
	$f_{CPP}$				$0.78^{*2}$	33	MHz	Peripheral system
	$f_{CPT}$		$0.78^{*2}$		33	MHz	External bus system	
Internal operating clock cycle time	$t_{CP}$	—	—	15.2	$1280^{*2}$	ns	CPU system	
	$t_{CPP}$			30.3	$1280^{*2}$	ns	Peripheral system	
	$t_{CPT}$			30.3	$1280^{*2}$	ns	External bus system	

\*1 : When using the PLL, the clock frequency should be around 12.5 to 16.5 MHz.

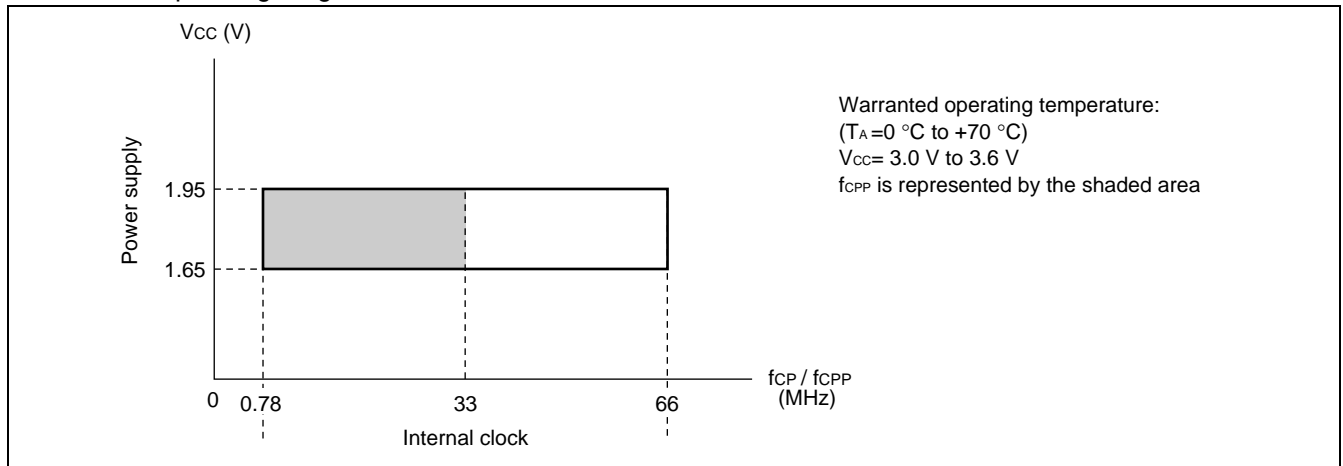
\*2 : The values shown represent a minimum clock frequency of 12.5 MHz input at the X0 pin, using the oscillator circuit PLL and a gear ratio of 1/16.

# MB91307 Series

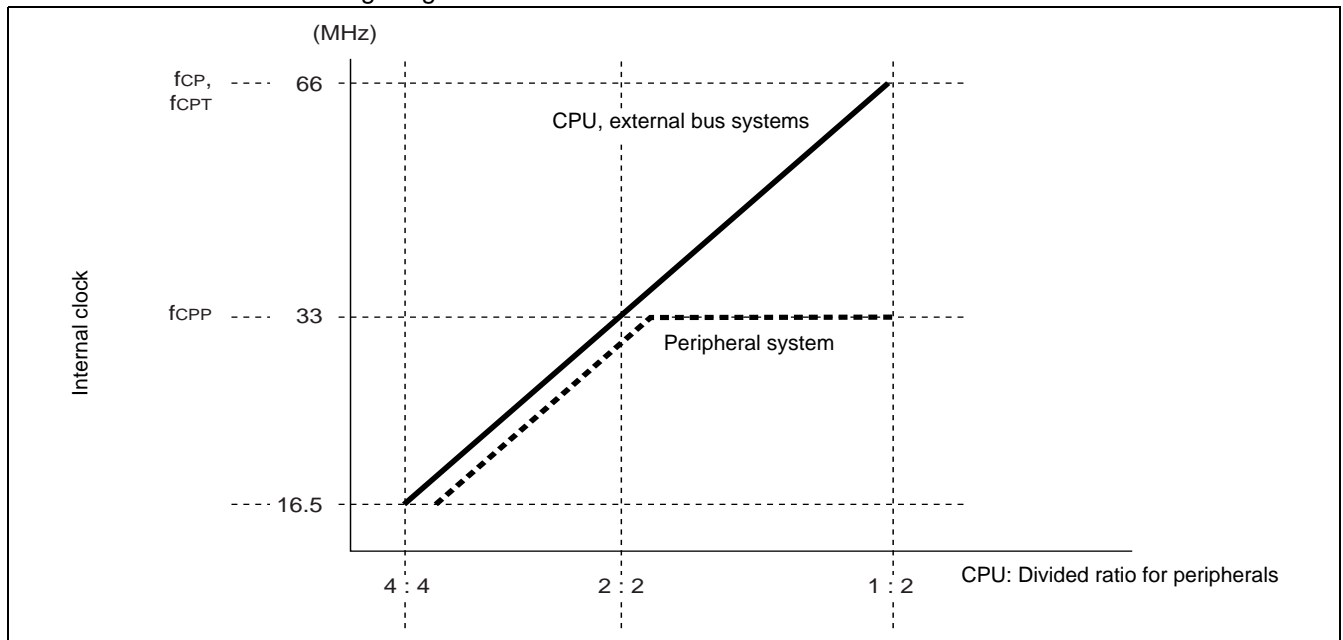
- Clock timing measurement conditions:



- Warranted operating range



- External/internal clock setting range

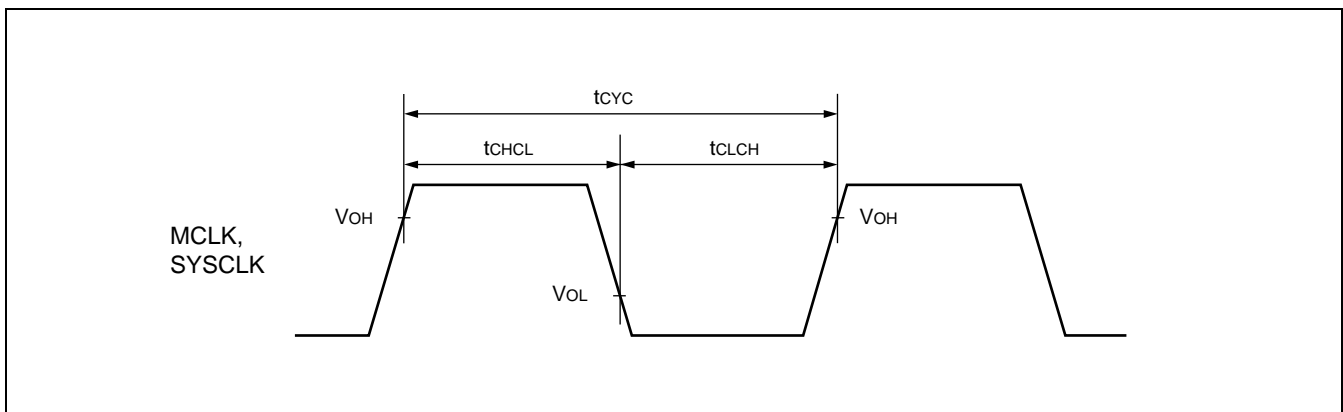


- Notes :
- When using the PLL, the external clock input should be around 16.5 MHz.
  - Set PLL oscillator stabilization time  $> 300 \mu\text{s}$ .
  - The internal clock gear setting should be within the values shown in (1) clock timing standards.

## (2) Clock Output Timing

( $V_{CCI} = 1.65\text{ V to }1.95\text{ V}$ ,  $V_{CC} = 3.0\text{ V to }3.6\text{ V}$ ,  $V_{SS} = AV_{SS} = 0\text{ V}$ ,  $T_A = 0\text{ }^{\circ}\text{C to }+70\text{ }^{\circ}\text{C}$ )

Parameter	Symbol	Pin name	Conditions	Value		Unit	Remarks
				Min	Max		
Cycle time	$t_{CYC}$	MCLK, SYSCLK	—	$t_{CPT}$	—	ns	*1
MCLK $\uparrow$ →MCLK $\downarrow$ SYSCLK $\uparrow$ →SYSCLK $\downarrow$	$t_{CHCL}$	MCLK, SYSCLK		$1/2 \times t_{CYC} - 3$	$1/2 \times t_{CYC} + 3$	ns	*2
MCLK $\downarrow$ →MCLK $\uparrow$ SYSCLK $\downarrow$ →SYSCLK $\uparrow$	$t_{CLCL}$	MCLK, SYSCLK		$1/2 \times t_{CYC} - 3$	$1/2 \times t_{CYC} + 3$	ns	*3



\*1 :  $t_{CYC}$  represents the frequency of one clock cycle including the gear period.

\*2 : The values shown represent standards for  $\times 1$  gear period.

For gear period settings of 1/2, 1/4, 1/8, use the following formula replacing n with the value 1/2, 1/4, 1/8 respectively.

$$(1/2 \times 1/n) \times t_{CYC} - 10$$

\*3 : The values shown represent standards for  $\times 1$  gear period.

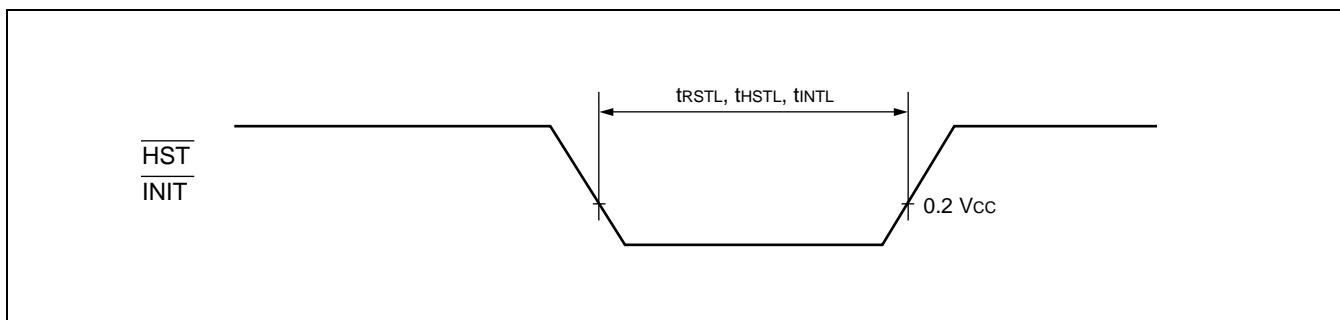
Note :  $t_{CPT}$  indicates the internal operating clock time. See “ (1) Clock Timing Standards”.

# MB91307 Series

## (3) Reset and Hardware Standby Input Standards

( $V_{CCI} = 1.65\text{ V to }1.95\text{ V}$ ,  $V_{CC} = 3.0\text{ V to }3.6\text{ V}$ ,  $V_{SS} = AV_{SS} = 0\text{ V}$ ,  $T_A = 0\text{ }^{\circ}\text{C to }+70\text{ }^{\circ}\text{C}$ )

Parameter	Symbol	Pin name	Conditions	Value		Unit	Remarks
				Min	Max		
Hardware standby input time	$t_{HSTL}$	$V_{CCI}$	—	$t_{CP} \times 5$	—	ns	
INIT input time (power-on)	$t_{INTL}$	$\overline{\text{INIT}}$		*	—	ns	
INIT input time (other than power-on)				$t_{CP} \times 5$	—	ns	



\* : INIT input time (at power-on)

Ceramic oscillator :  $\phi \times 2^{15}$  or greater recommended

Crystal oscillator :  $\phi \times 2^{21}$  or greater recommended

$\phi$  : Power on  $\rightarrow$  X0/X1 period  $\times 2$

Note :  $t_{CP}$  indicates the clock cycle time. See “ (1) Clock Timing Standards”.

## (4) Normal Bus Access Read/Write Operation

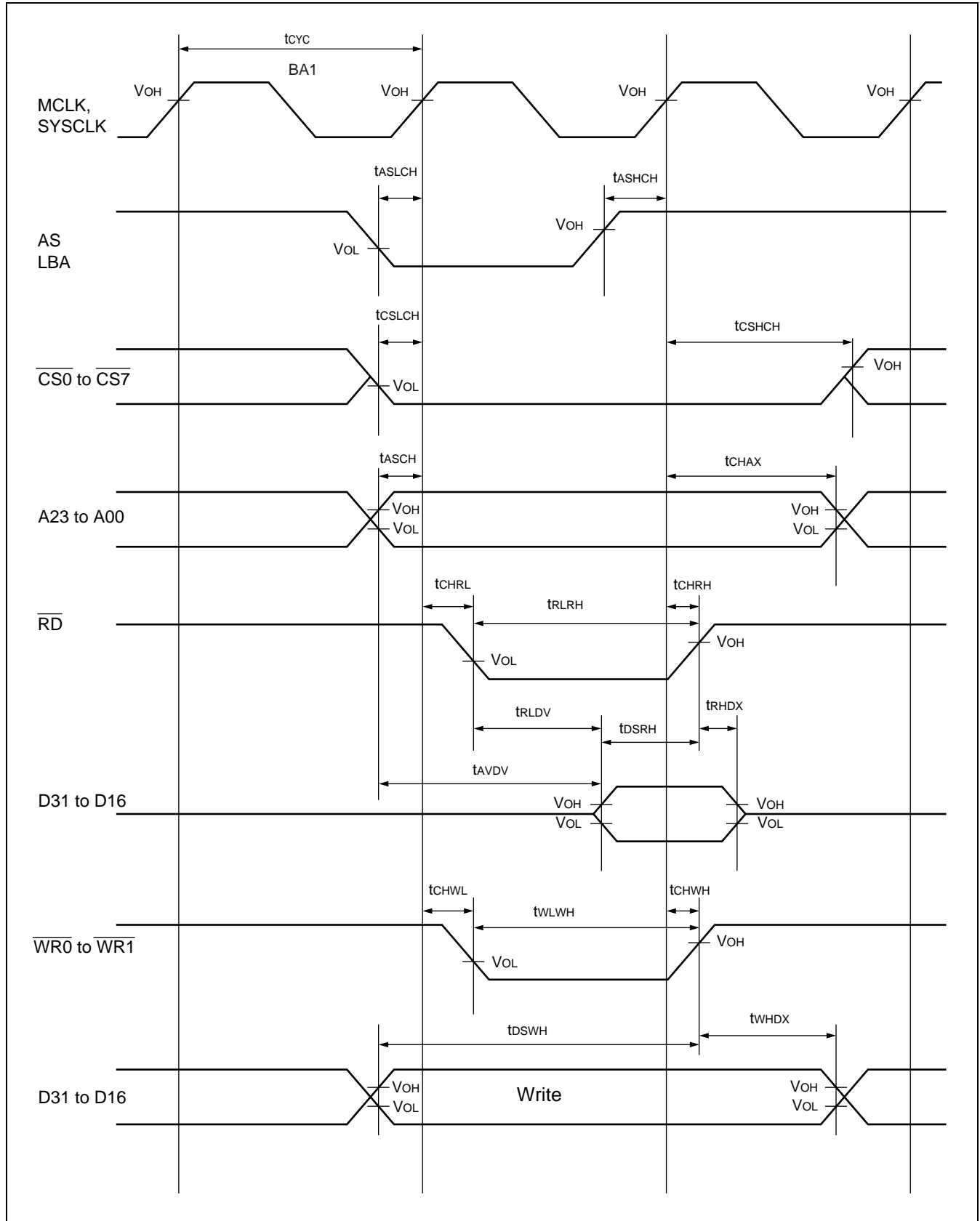
( $V_{CCI} = 1.65\text{ V to }1.95\text{ V}$ ,  $V_{CC} = 3.0\text{ V to }3.6\text{ V}$ ,  $V_{SS} = AV_{SS} = 0\text{ V}$ ,  $T_A = 0\text{ }^\circ\text{C to }+70\text{ }^\circ\text{C}$ )

Parameter	Symbol	Pin name	Condition	Value		Unit	Remarks
				Min	Max		
$\overline{CS0}$ to $\overline{CS7}$ setup	$t_{CSLCH}$	MCLK, SYSCLK, $\overline{CS0}$ to $\overline{CS7}$	—	3	—	ns	
$\overline{CS0}$ to $\overline{CS7}$ hold	$t_{CSHCH}$			3	$t_{CYC}/2 + 6$	ns	
Address setup	$t_{ASCH}$	MCLK, SYSCLK, A23 to A00	—	3	—	ns	
Address hold	$t_{CHAX}$	MCLK, SYSCLK, A23 to A00		3	$t_{CYC}/2 + 6$	ns	
Valid address → valid data input time	$t_{AVDV}$	A23 to A00, D31 to D16		—	$3/2 \times$ $t_{CYC} - 11$	ns	*
$\overline{WR0}$ to $\overline{WR1}$ delay time	$t_{CHWL}$	MCLK, SYSCLK, $\overline{WR0}$ to $\overline{WR1}$		—	6	ns	
	$t_{CHWH}$			—	6	ns	
$\overline{WR0}$ to $\overline{WR1}$ minimum pulse width	$t_{WLWH}$	$\overline{WR0}$ to $\overline{WR1}$		$t_{CYC} - 3$	—	ns	
Data setup → $\overline{WRx}\uparrow$	$t_{DSWH}$	$\overline{WR0}$ to $\overline{WR1}$ , D31 to D16		$t_{CYC}$	—	ns	
$\overline{WRx}\uparrow$ → data hold time	$t_{WHDX}$			5	—	ns	
$\overline{RD}$ delay time	$t_{CHRL}$	MCLK, SYSCLK, $\overline{RD}$		—	6	ns	
	$t_{CHRH}$			—	6	ns	
$\overline{RD}\downarrow$ → valid data input time	$t_{RLDV}$	$\overline{RD}$ , D31 to D16		—	$t_{CYC} - 10$	ns	*
Data setup → $\overline{RD}\uparrow$ time	$t_{DSRH}$			10	—	ns	
$\overline{RD}\uparrow$ → data hold time	$t_{RHDX}$			0	—	ns	
$\overline{RD}$ minimum pulse width	$t_{RLRH}$			$t_{CYC} - 3$	—	ns	
$\overline{AS}$ setup	$t_{ASLCH}$	MCLK, SYSCLK, $\overline{AS}$		3	—	ns	
$\overline{AS}$ hold	$t_{ASHCH}$		3	—	ns		

\* : To extend bus time by automatic wait insertion or RDY input, add to this value ( $t_{CYC} \times$  number of extended cycles).

Note :  $t_{CYC}$  indicates the cycle time. See “ (2) Clock Output Timing”.

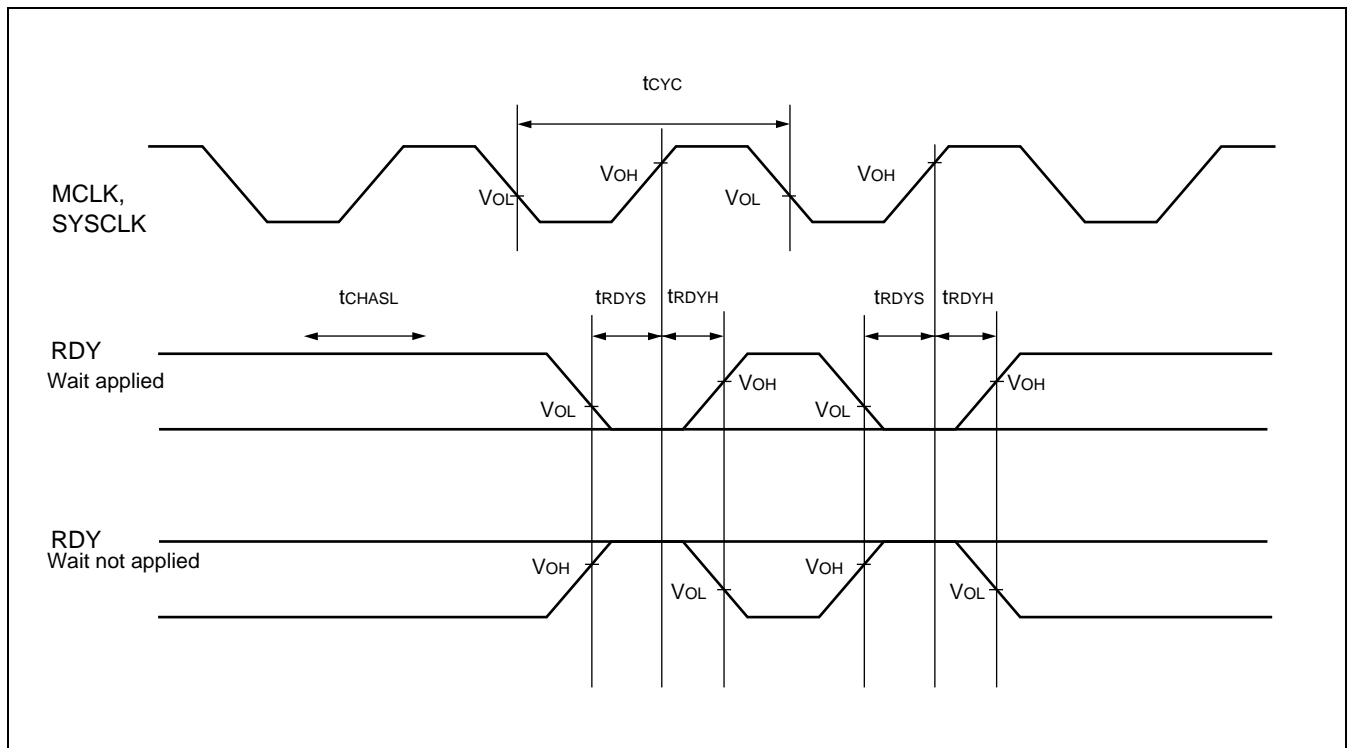
# MB91307 Series



## (5) Ready Input Timing

( $V_{CCI} = 1.65\text{ V to }1.95\text{ V}$ ,  $V_{CC} = 3.0\text{ V to }3.6\text{ V}$ ,  $V_{SS} = AV_{SS} = 0\text{ V}$ ,  $T_A = 0\text{ }^{\circ}\text{C to }+70\text{ }^{\circ}\text{C}$ )

Parameter	Symbol	Pin name	Condition	Value		Unit	Remarks
				Min	Max		
RDY setup time → MCLK↑, SYSCLK↑	$t_{RDYS}$	MCLK, SYSCLK, RDY	—	10	—	ns	
MCLK↑, SYSCLK↑ RDY hold time	$t_{RDYH}$	MCLK, SYSCLK, RDY	—	0	—	ns	



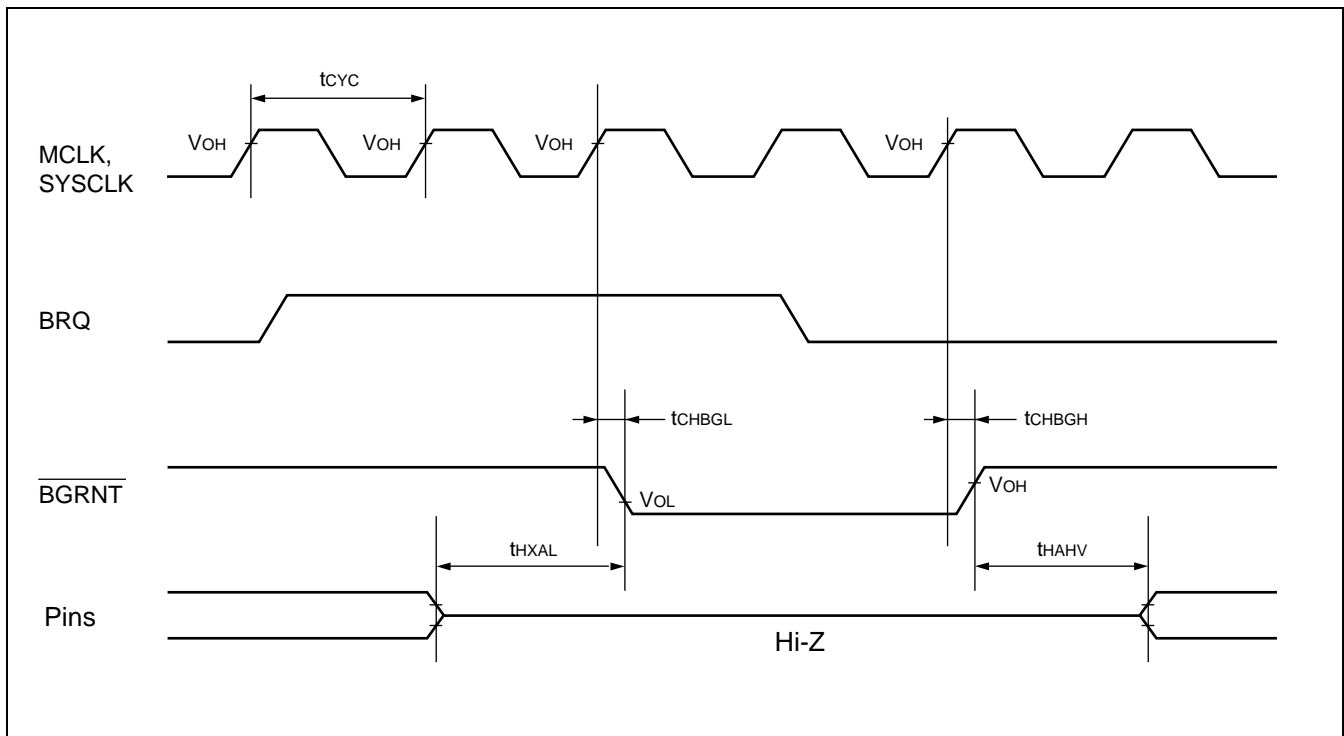
# MB91307 Series

## (6) Hold Timing

( $V_{CC1} = 1.65\text{ V to }1.95\text{ V}$ ,  $V_{CC} = 3.0\text{ V to }3.6\text{ V}$ ,  $V_{SS} = AV_{SS} = 0\text{ V}$ ,  $T_A = 0\text{ }^{\circ}\text{C to }+70\text{ }^{\circ}\text{C}$ )

Parameter	Symbol	Pin name	Condition	Value		Unit	Remarks
				Min	Max		
$\overline{\text{BGRNT}}$ delay time	$t_{\text{CHBGL}}$	MCLK, SYSCLK, $\overline{\text{BGRNT}}$	—	3	13.5	ns	
	$t_{\text{CHBGH}}$			3	13.5	ns	
Pin floating → $\overline{\text{BGRNT}}$ ↓ time	$t_{\text{XHAL}}$	$\overline{\text{BGRNT}}$	—	$t_{\text{CYC}} - 10$	$t_{\text{CYC}} + 10$	ns	
$\overline{\text{BGRNT}}$ ↑ → valid time	$t_{\text{HAHV}}$			$t_{\text{CYC}} - 10$	$t_{\text{CYC}} + 10$	ns	

Note: After a BRQ is accepted, a minimum of 1 cycle is required before  $\overline{\text{BGRNT}}$  changes.

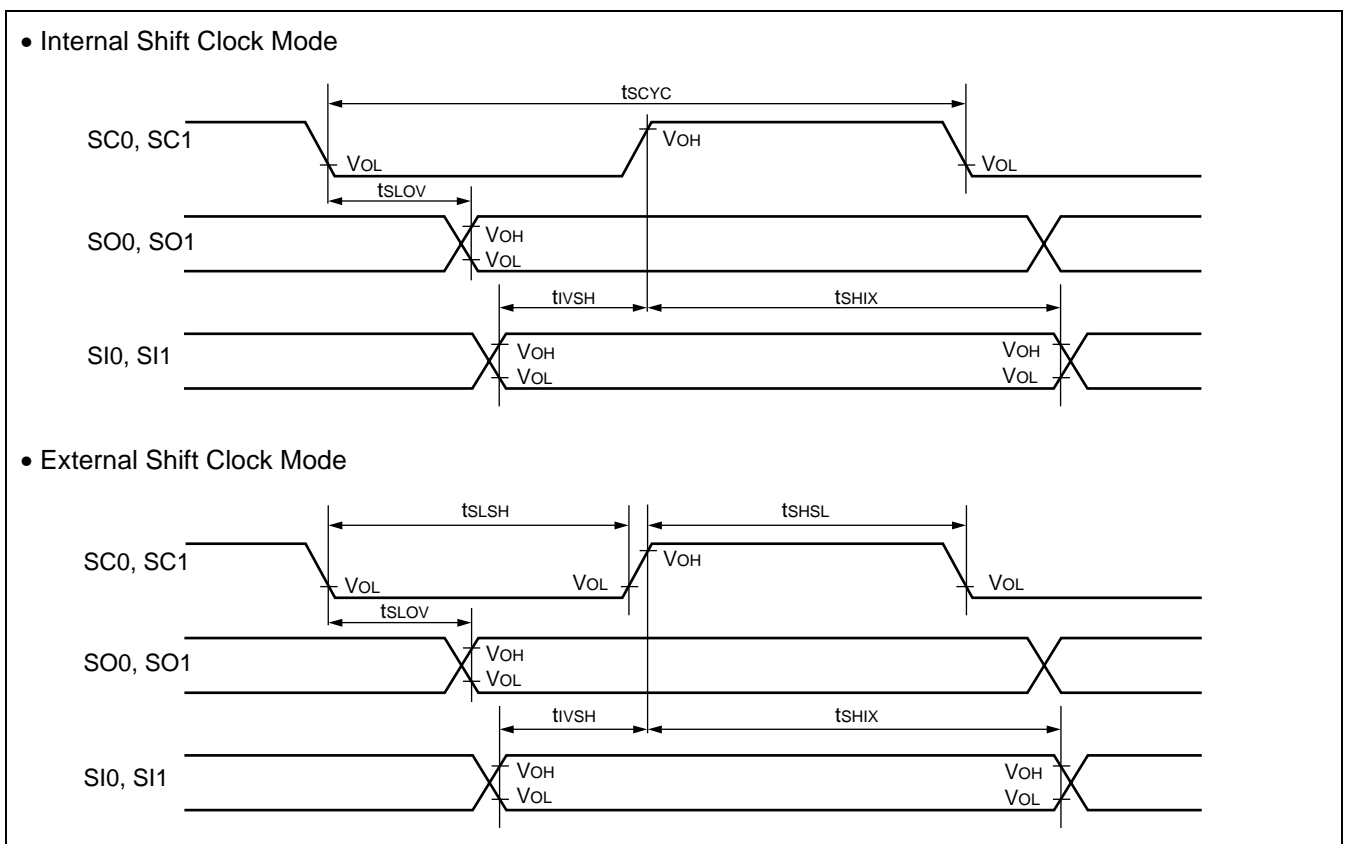


## (7) UART Timing

( $V_{CC1} = 1.65\text{ V to }1.95\text{ V}$ ,  $V_{CC} = 3.0\text{ V to }3.6\text{ V}$ ,  $V_{SS} = AV_{SS} = 0\text{ V}$ ,  $T_A = 0\text{ }^{\circ}\text{C to }+70\text{ }^{\circ}\text{C}$ )

Parameter	Symbol	Pin name	Condition	Value		Unit	Remarks
				Min	Max		
Serial clock cycle time	$t_{SCYC}$	SC0 to SC2	Internal shift clock mode	$8 t_{CPP}$	—	ns	
SCLK↓ → SOUT delay time	$t_{SLOV}$	SC0 to SC2, SO0 to SO2		-80	80	ns	
Valid SIN → SCLK↑	$t_{IVSH}$	SC0 to SC2, SI0 to SI2		100	—	ns	
SCLK↑ → valid SIN hold time	$t_{SHIX}$	SC0 to SC2, SI0 to SI2		60	—	ns	
Serial clock "H" pulse width	$t_{SHSL}$	SC0 to SC2	External shift clock mode	$4 t_{CPP}$	—	ns	
Serial clock "L" pulse width	$t_{LSLH}$	SC0 to SC2		$4 t_{CPP}$	—	ns	
SCLK↓ → SOUT delay time	$t_{SLOV}$	SC0 to SC2, SO0 to SO2		—	150	ns	
Valid SIN → SCLK↑	$t_{IVSH}$	SC0 to SC2, SI0 to SI2		60	—	ns	
SCLK↑ → valid SIN hold time	$t_{SHIX}$	SC0 to SC2, SI0 to SI2		60	—	ns	

Notes: • Above ratings are for operation in CLK synchronized mode.  
•  $t_{CPP}$  is the cycle time of the peripheral system clock.



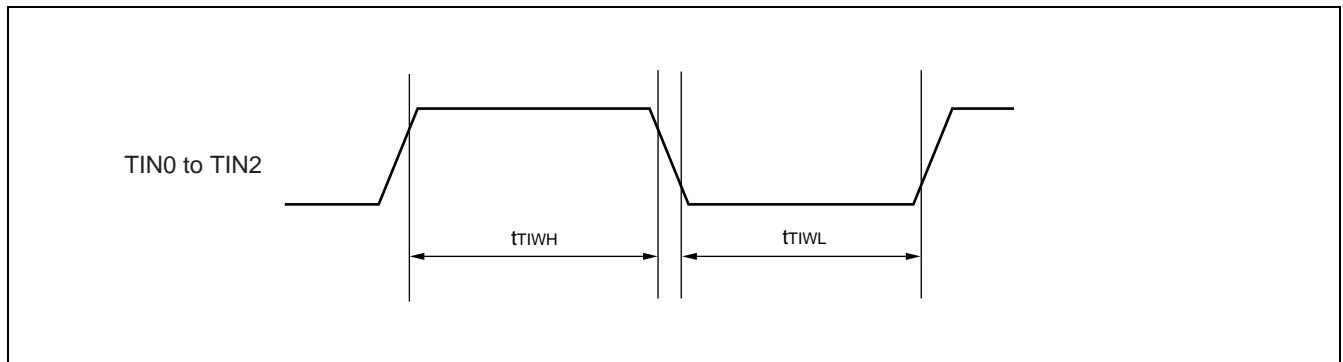
# MB91307 Series

## (8) Timer Clock Input Timing

( $V_{CCI} = 1.65 \text{ V to } 1.95 \text{ V}$ ,  $V_{CC} = 3.0 \text{ V to } 3.6 \text{ V}$ ,  $V_{SS} = AV_{SS} = 0 \text{ V}$ ,  $T_A = 0 \text{ }^\circ\text{C to } +70 \text{ }^\circ\text{C}$ )

Parameter	Symbol	Pin name	Condition	Value		Unit	Remarks
				Min	Max		
Input pulse width	$t_{TIWH}$ $t_{TIWL}$	TIN0 to TIN2	—	$2 t_{CYCP}$	—	ns	

Note:  $t_{CYCP}$  is the cycle time of the peripheral system clock.

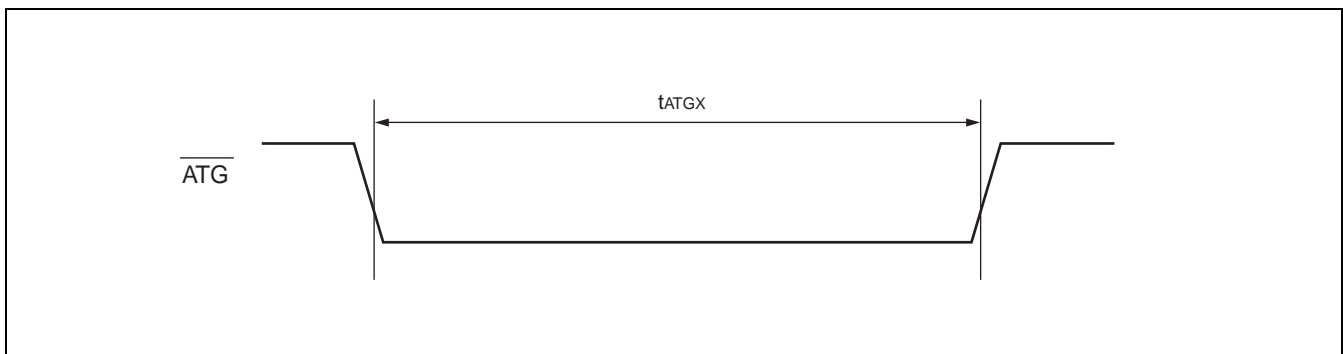


## (9) Trigger Input Timing

( $V_{CCI} = 1.65 \text{ V to } 1.95 \text{ V}$ ,  $V_{CC} = 3.0 \text{ V to } 3.6 \text{ V}$ ,  $V_{SS} = AV_{SS} = 0 \text{ V}$ ,  $T_A = 0 \text{ }^\circ\text{C to } +70 \text{ }^\circ\text{C}$ )

Parameter	Symbol	Pin name	Condition	Value		Unit	Remarks
				Min	Max		
A/D startup trigger input time	$t_{ATGX}$	$\overline{ATG}$	—	$5 t_{CYCP}$	—	ns	

Note:  $t_{CYCP}$  is the cycle time of the peripheral system clock.

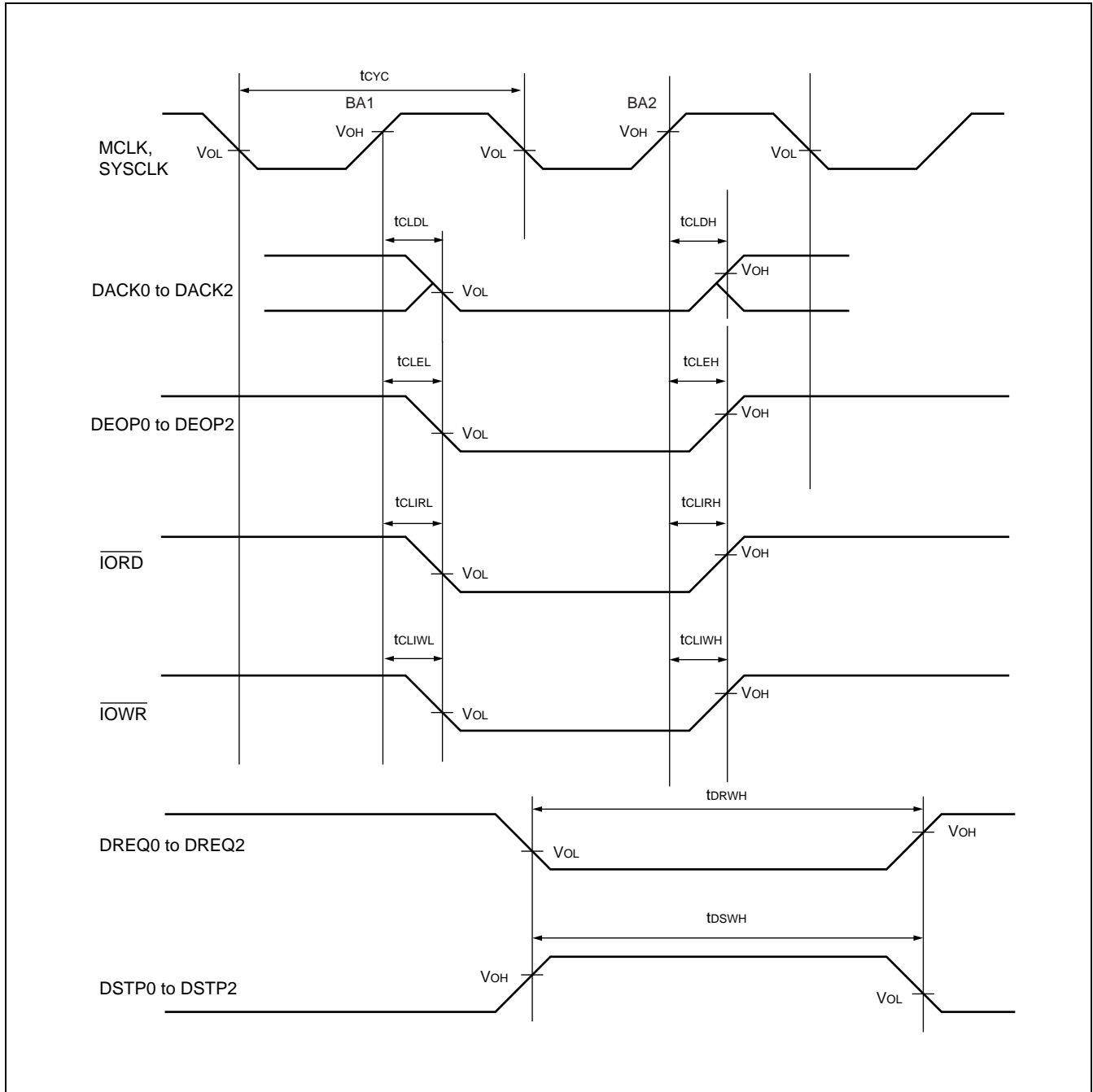


## (10) DMA Controller Timing

( $V_{CCI} = 1.65\text{ V to }1.95\text{ V}$ ,  $V_{CC} = 3.0\text{ V to }3.6\text{ V}$ ,  $V_{SS} = AV_{SS} = 0\text{ V}$ ,  $T_A = 0\text{ }^{\circ}\text{C to }+70\text{ }^{\circ}\text{C}$ )

Parameter	Symbol	Pin name	Condition	Value		Unit	Remarks
				Min	Max		
DREQ input pulse width	$t_{DRWH}$	DREQ 0 to DREQ2	—	5 $t_{CYC}$	—	ns	
DSTP input pulse width	$t_{DSWH}$	DSTP 0 to DSTP2		5 $t_{CYC}$	—	ns	
DACK delay time	$t_{CLDL}$	MCLK, SYSCLK, DACK0 to DACK2		—	6	ns	
	$t_{CLDH}$			—	6		
DEOP delay time	$t_{CLEL}$	MCLK, SYSCLK, DEOP 0 to DEOP2		—	6	ns	
	$t_{CLEH}$			—	6		
$\overline{IORD}$ delay time	$t_{CLIRL}$	MCLK, SYSCLK		—	6	ns	
	$t_{CLIRH}$			—	6		
$\overline{IOWR}$ delay time	$t_{CLIWL}$	MCLK, SYSCLK		—	6	ns	
	$t_{CLIWH}$			—	6		

# MB91307 Series



## (11) I<sup>2</sup>C Timing

(V<sub>CCI</sub> = 1.65 V to 1.95 V, V<sub>CC</sub> = 3.0 V to 3.6 V, V<sub>SS</sub> = AV<sub>SS</sub> = 0 V, T<sub>A</sub> = 0 °C to +70 °C)

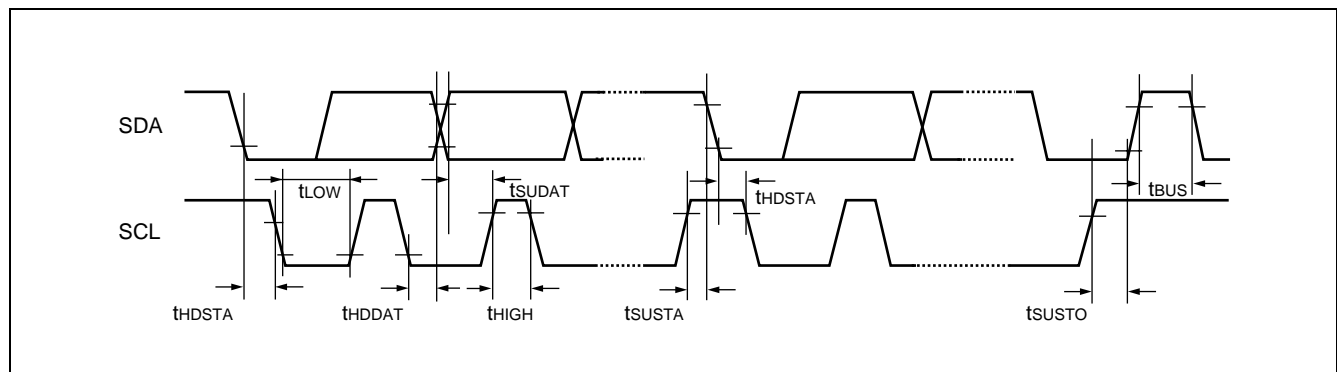
Parameter	Symbol	Condition	Standard mode		High-speed mode*4		Unit
			Min	Max	Min	Max	
SCL clock frequency	f <sub>SCL</sub>	R = 1.0 kΩ, C = 50 pF*1	0	100	0	400	kHz
(Repeat) "start" condition hold time SDA ↓ → SCL ↓	t <sub>HDSTA</sub>		4.0	—	0.6	—	μs
SCL clock "L" width	t <sub>LOW</sub>		4.7	—	1.3	—	μs
SCL clock "H" width	t <sub>HIGH</sub>		4.0	—	0.6	—	μs
Repeat "start" condition setup time SCL ↑ → SDA ↓	t <sub>SUSTA</sub>		4.7	—	0.6	—	μs
Data hold time SCL ↓ → SDA ↓ ↑	t <sub>HDDAT</sub>		0	3.45*2	0	0.9*3	μs
Data setup time SDA ↓ ↑ → SCL ↑	t <sub>SUDAT</sub>		250	—	100	—	ns
"Stop" condition setup time SCL ↑ → SDA ↑	t <sub>SUSTO</sub>		4.0	—	0.6	—	μs
Bus free time between "stop" and "start" conditions	t <sub>BUS</sub>		4.7	—	1.3	—	μs

\*1 : R, C : Pull-up resistor and load capacitor of the SCL and SDA lines.

\*2 : The maximum t<sub>HDDAT</sub> only has to be met if the device does not stretch the "L" width (t<sub>LOW</sub>) of the SCL signal.

\*3 : A Fast-mode I<sup>2</sup>C-bus device can be used in a Standard-mode I<sup>2</sup>C-bus system, but the requirement t<sub>SUDAT</sub> ≥ 250 ns must then be met.

\*4 : For use at over 100 kHz, set the resource clock to at least 6 MHz.



# MB91307 Series

## 5. A/D Converter Electrical Characteristics

( $V_{CC1} = 1.65\text{ V to }1.95\text{ V}$ ,  $V_{CC} = +3.0\text{ V to }+3.6\text{ V}$ ,  $V_{SS} = AV_{SS} = 0\text{ V}$ ,  $T_A = 0\text{ }^\circ\text{C to }+70\text{ }^\circ\text{C}$ )

Parameter	Symbol	Pin name	Value			Unit
			Min	Typ	Max	
Resolution	—	—	—	10	10	BIT
Total error	—	—	—	—	$\pm 4.5$	LSB
Linear error	—	—	—	—	$\pm 3.0$	LSB
Differential linear error	—	—	—	—	$\pm 2.5$	LSB
Zero transition voltage	$V_{OT}$	AN0 to AN3	$AV_{SS} - 1.5\text{ LSB}$	$AV_{SS} + 0.5\text{ LSB}$	$AV_{SS} + 4.5\text{ LSB}$	V
Full scale transition voltage	$V_{FST}$	AN0 to AN3	$AVRH - 4.5\text{ LSB}$	$AVRH - 1.5\text{ LSB}$	$AVRH + 4.5\text{ LSB}$	V
Conversion time	—	—	5.4 *1	—	—	$\mu\text{s}$
Analog port input current	$I_{AIN}$	AN0 to AN3	—	0.1	10	$\mu\text{A}$
Analog input voltage	$V_{AIN}$	AN0 to AN3	$AV_{SS}$	—	$AVRH$	V
Reference voltage	—	$AVRH$	$AV_{SS}$	—	$AV_{CC}$	V
Supply current	$I_A$	$AV_{CC}$	—	600	—	$\mu\text{A}$
	$I_{AH}$		—	—	$10^{*2}$	$\mu\text{A}$
Reference voltage supply current	$I_R$	$AVRH$	—	600	—	$\mu\text{A}$
	$I_{RH}$		—	—	$10^{*2}$	$\mu\text{A}$
Inter-channel variation	—	AN0 to AN3	—	—	5	LSB

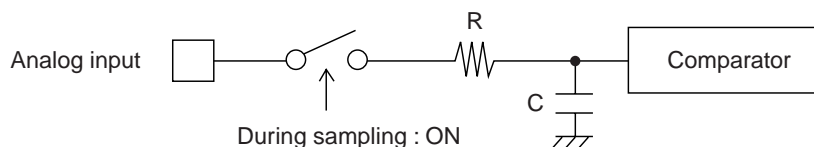
\*1 : At  $V_{CC} = AV_{CC} = 3.0\text{ V to }3.6\text{ V}$ ,  $V_{CC1} = 1.65\text{ V to }1.95\text{ V}$  peripheral clock 33 MHz.

\*2 : Current in CPU stop mode with A/D converter not operating (at  $V_{CC} = AV_{CC} = AVRH = 3.6\text{ V}$ ,  $V_{CC1} = 1.95\text{ V}$ )

### • About the external impedance of the analog input and its sampling time

- A/D converter with sample and hold circuit. If the external impedance is too high to keep sufficient sampling time, the analog voltage charged to the internal sample and hold capacitor is insufficient, adversely affecting A/D conversion precision.

#### • Analog input circuit model

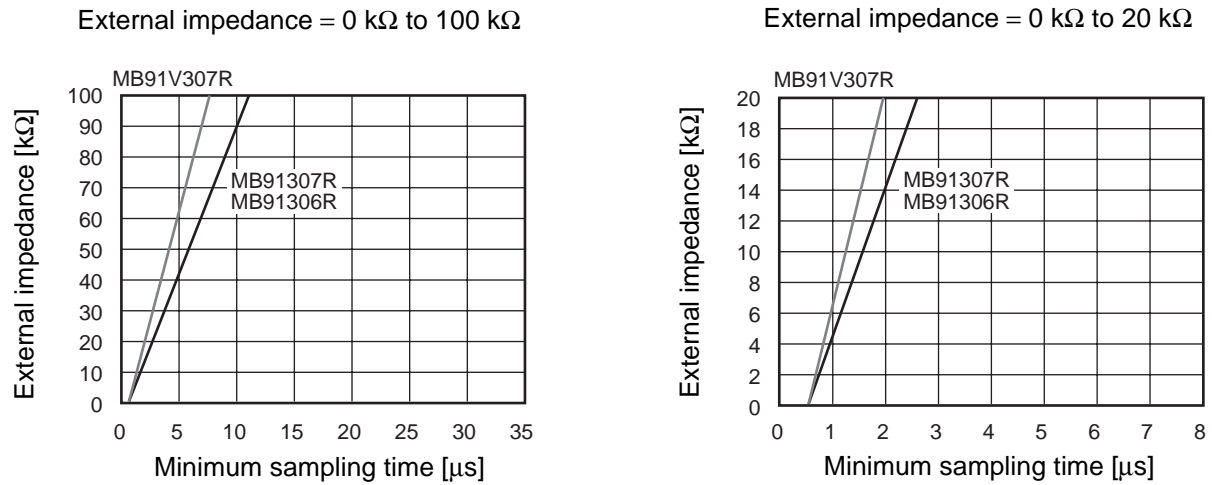


Note : The values are reference values.

	R	C
MB91307R/306R	5.0 k $\Omega$ (Max)	15 pF (Max)
MB91V307R	8.1 k $\Omega$ (Max)	10 pF (Max)

- To satisfy the A/D conversion precision standard, consider the relationship between the external impedance and minimum sampling time and either adjust the operating frequency or decrease the external impedance so that the sampling time is longer than the minimum value.

- The relationship between external impedance and minimum sampling time



- If the sampling time cannot be sufficient, connect a capacitor of about 0.1 μF to the analog input pin.

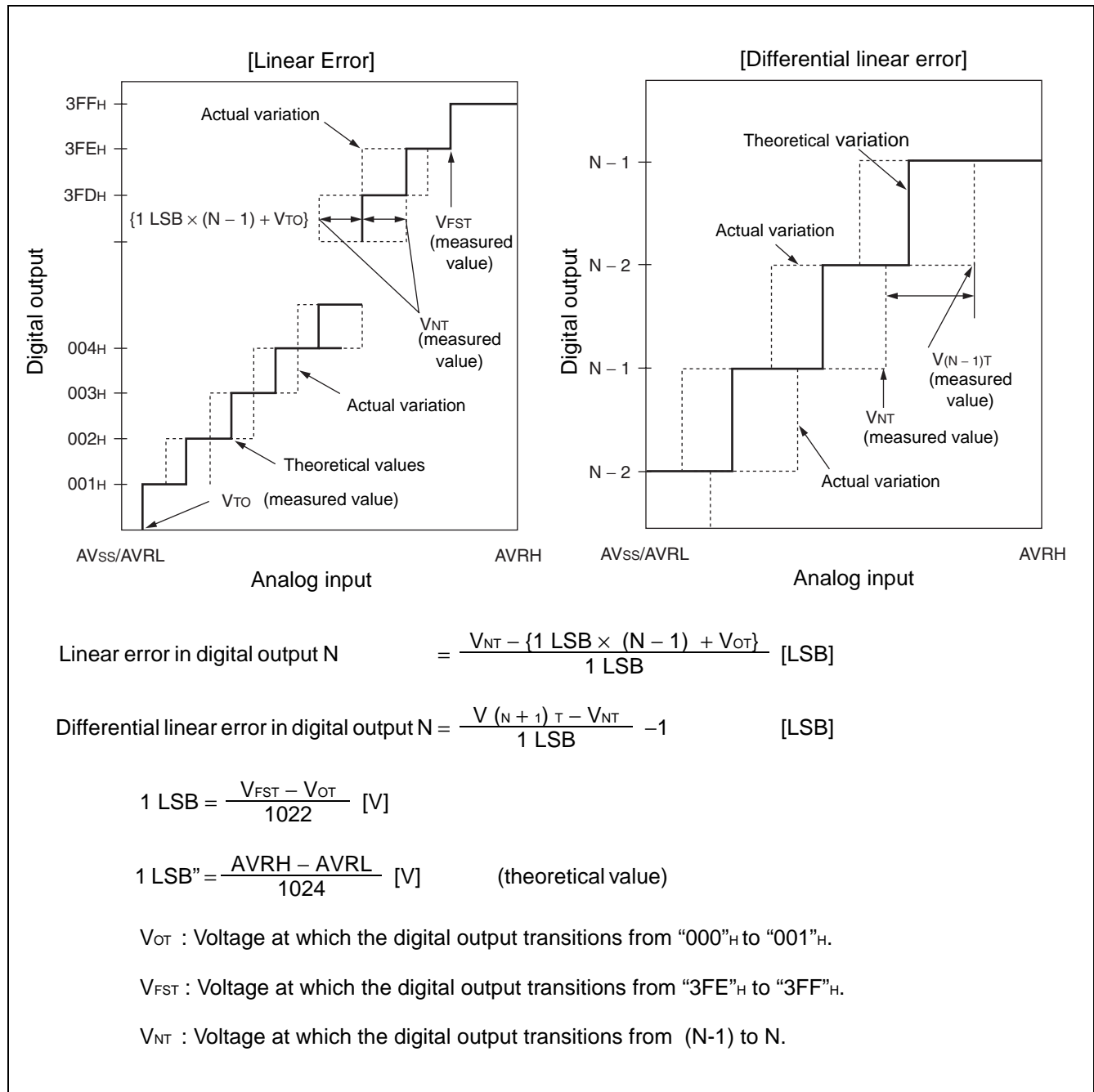
## • About errors

As  $|AVRH - AV_{SS}|$  becomes smaller, values of relative errors grow larger.

# MB91307 Series

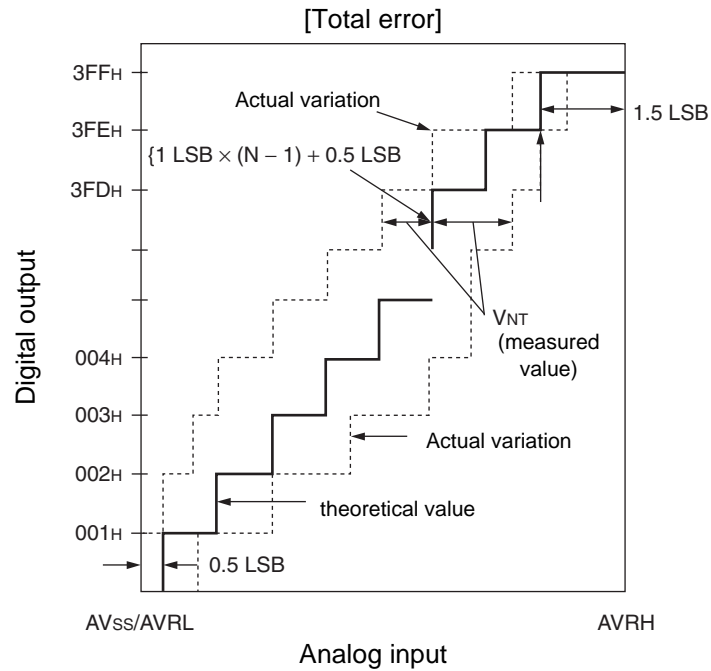
## • Definition of A/D Converter Terms

- Resolution  
Indicates the ability of the A/D converter to discriminate analog variation
- Linear error  
Expresses the deviation between actual conversion characteristics and a straight line connecting the device's zero transition point (00 0000 0000 $\leftarrow$ →00 0000 0001) and full scale transition point (11 1111 1110 $\leftarrow$ →11 1111 1111)
- Differential linear error  
Expresses the deviation of the logical value of input voltage required to create a variation of 1 LSB in output code.



- Total error

Expresses the difference between actual and theoretical values as error, including zero transition error, full-scale error, and linearity error.



$$\text{Total error in digital output } N = \frac{V_{NT} - \{1 \text{ LSB} \times (N - 1) + 0.5 \text{ LSB}\}}{1 \text{ LSB}} \text{ [LSB]}$$

$$V_{OT} \text{ (theoretical value)} = AVRL + 0.5 \text{ LSB} \text{ [V]}$$

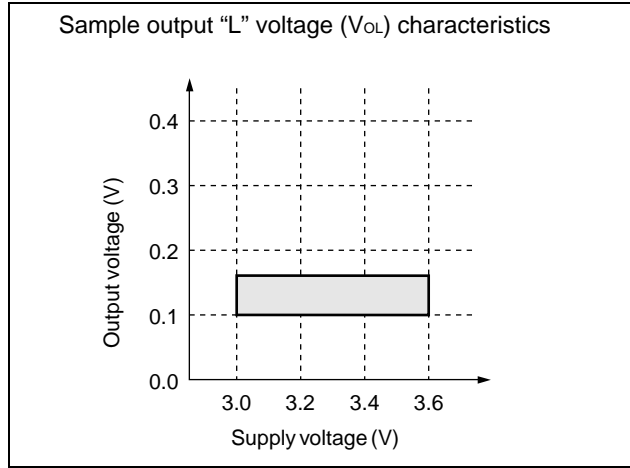
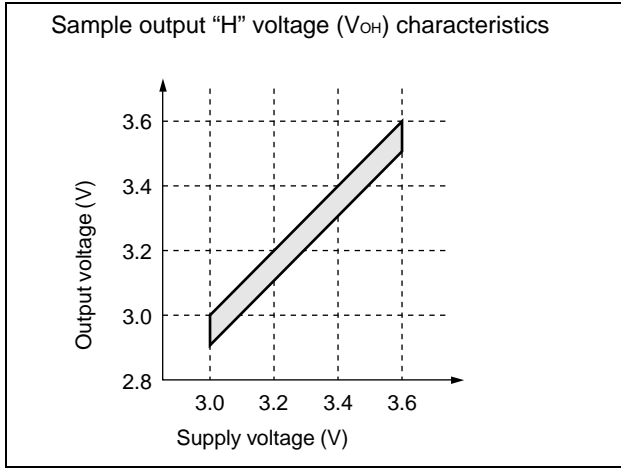
$$V_{FST} \text{ (theoretical value)} = AVRH - 1.5 \text{ LSB} \text{ [V]}$$

$V_{NT}$  : Voltage at which digital output transitions from (N-1) to N.

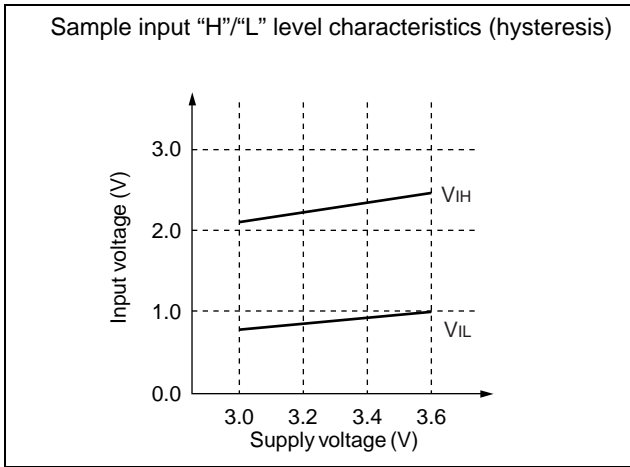
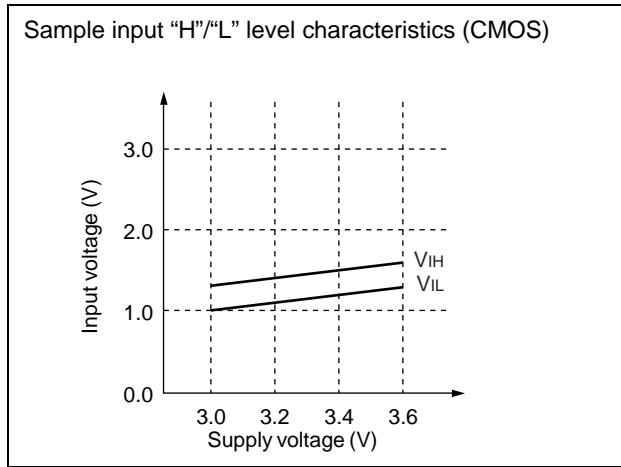
# MB91307 Series

## EXAMPLE CHARACTERISTICS

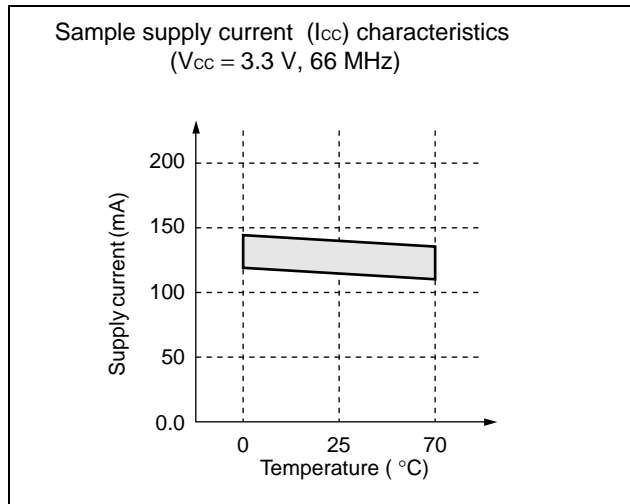
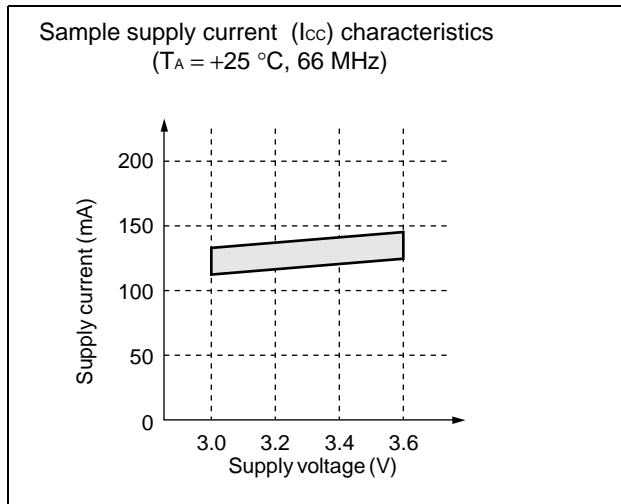
(1) Sample output voltage characteristics ( $T_A = +25\text{ }^\circ\text{C}$ )



(2) Sample input voltage characteristics ( $T_A = +25\text{ }^\circ\text{C}$ )

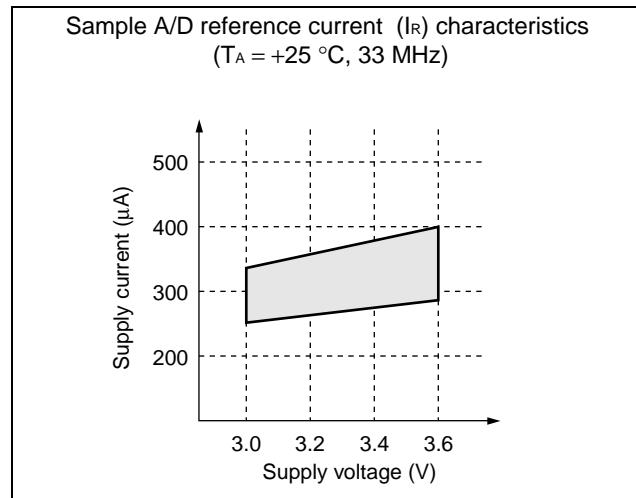
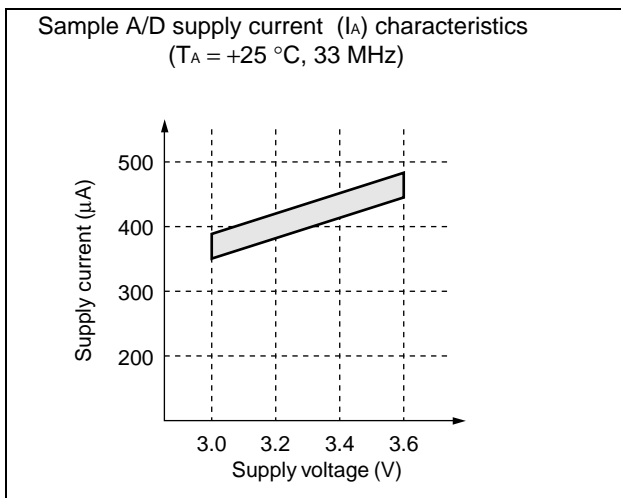
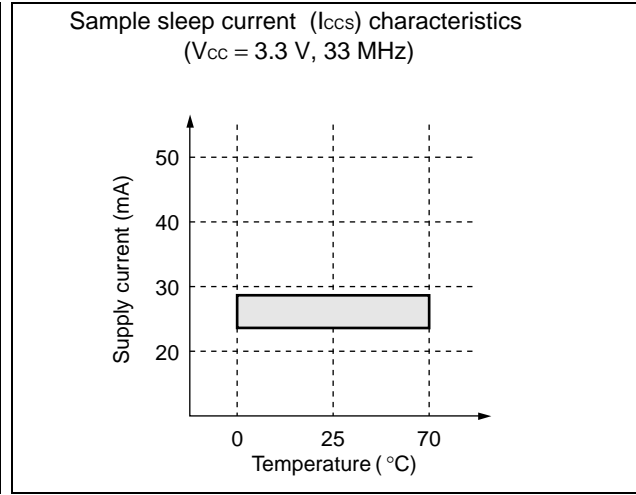
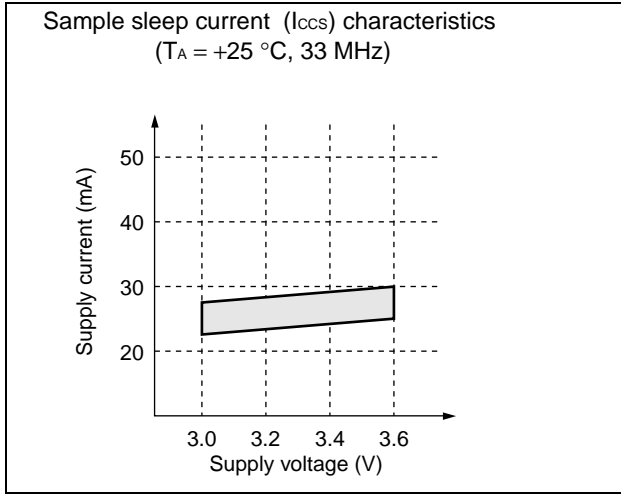


(3) Sample supply current characteristics

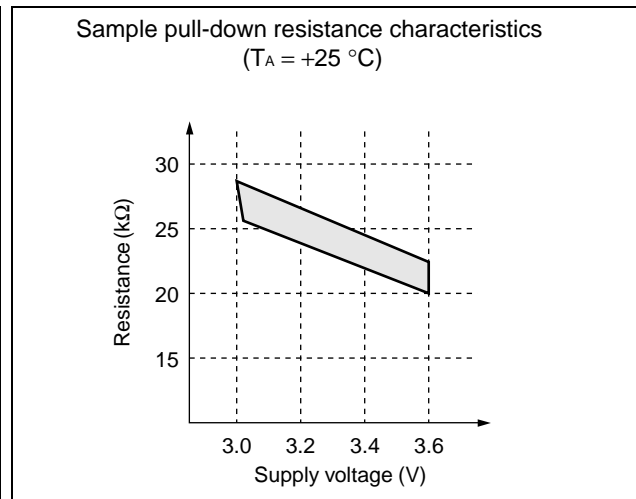
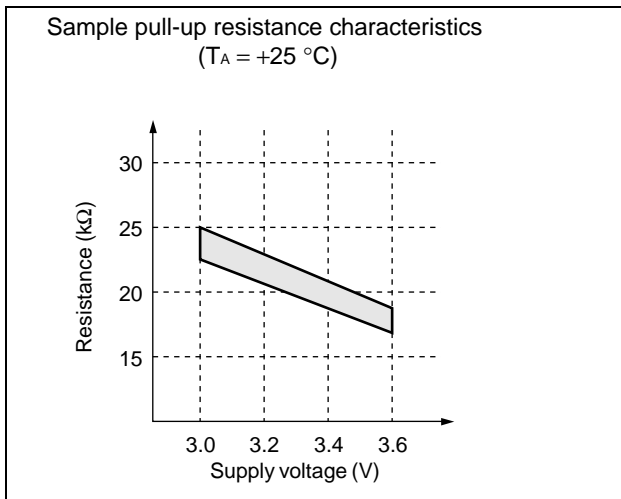


(Continued)

(Continued)



#### (4) Port resistance characteristics

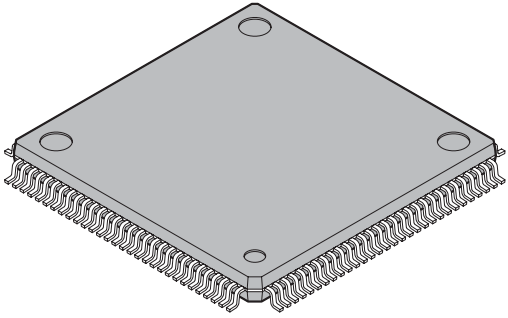


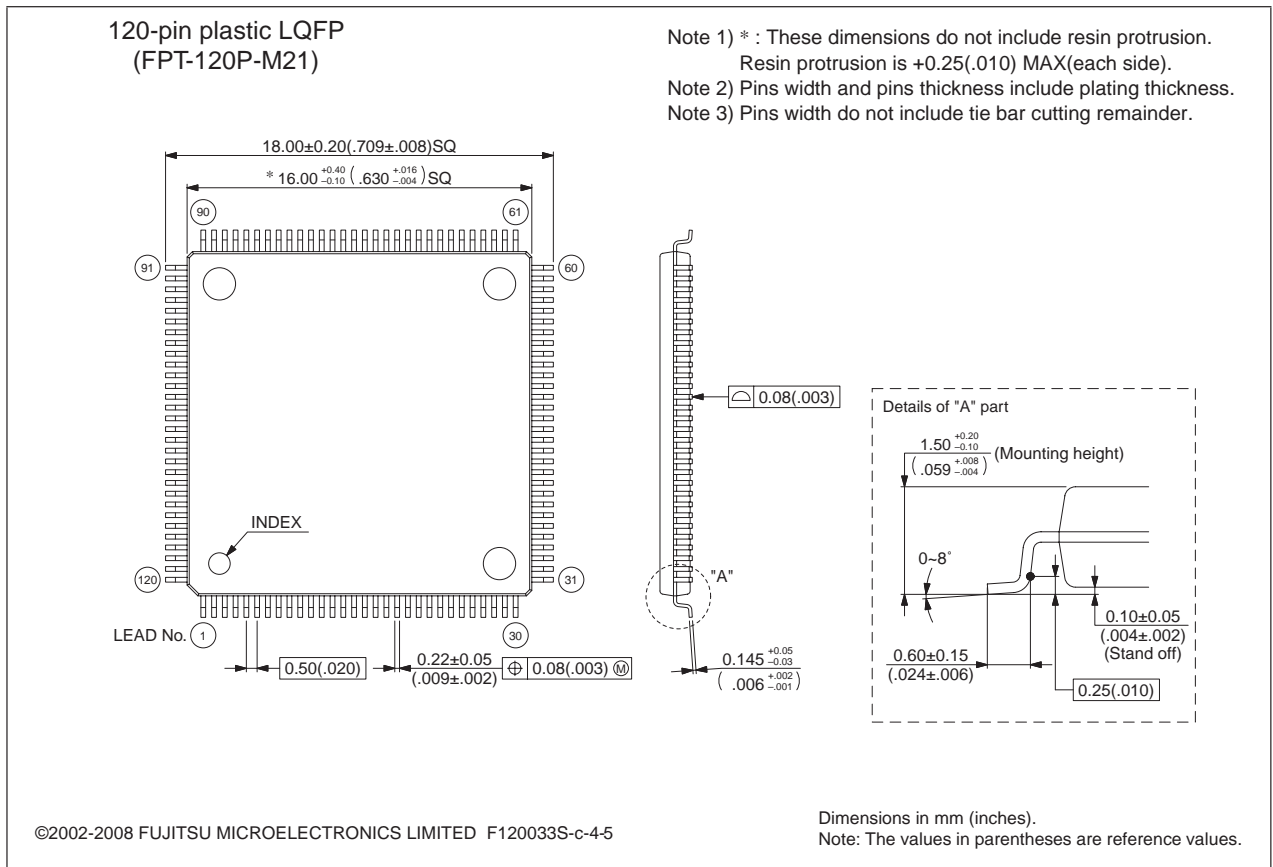
# MB91307 Series

## ■ ORDERING INFORMATION

Part number	Package	Remarks
MB91306RPFV MB91307RPFV	120-pin, Plastic LQFP (FPT-120P-M21)	Lead-free package
MB91V307RCR	135-pin, Ceramic PGA (PGA-135C-A02)	For development tool use

## ■ PACKAGE DIMENSION

<p>120-pin plastic LQFP</p>  <p>(FPT-120P-M21)</p>	Lead pitch	0.50 mm
	Package width × package length	16.0 × 16.0 mm
	Lead shape	Gullwing
	Sealing method	Plastic mold
	Mounting height	1.70 mm MAX
	Weight	0.88 g
	Code (Reference)	P-LFQFP120-16×16-0.50



Please confirm the latest Package dimension by following URL.  
<http://edevice.fujitsu.com/package/en-search/>

# MB91307 Series

## ■ MAIN CHANGES IN THIS EDITION

Page	Section	Change Results
10	■ PIN DESCRIPTIONS	Pin name : Changed the description of P91 and P93
31	■ MEMORY SPACE 2. Memory Map	Changed Internal RAM capacity of MB91306R. 128 K → 64 K
55, 60	■ PERIPHERAL RESOURCES 4. 16-bit Reload Timer 7. A/D Converter (Sequential comparison type)	Changed the operating clock name of peripheral resources machine clock → peripheral clock
61	7. A/D Converter (Sequential comparison type)	Changed the channel of the reload timer in Note channel 2 → channel 1
66	9. DMAC (DMA Controller) (2) Register Descriptions	Changed the register name of DMADA0 to DMADA4. Transfer source → Transfer destination
75	■ ELECTRICAL CHARACTERISTICS 4. AC Characteristics	Changed the value of the external bus system in “(1) Clock Timing Standards”. Internal operating clock frequency (max) 66 → 33 Internal operating clock cycle time (min) 15.2 → 30.3
88	5. A/D Converter Electrical Characteristics	Changed the items of “Zero transition voltage” and “Full scale transition voltage”. Parameter : transition error → transition voltage Unit : LSB → V Value : value → $AV_{SS} \pm \text{value LSB}$ Value : $AV_{RH} \pm \text{value}$ → $AV_{RH} \pm \text{value LSB}$
		Changed the operating clock name of peripheral resources machine clock → peripheral clock

The vertical lines marked in the left side of the page show the changes.

**MEMO**

**MEMO**

**MEMO**

# MB91307 Series

## FUJITSU MICROELECTRONICS LIMITED

Shinjuku Dai-Ichi Seimei Bldg., 7-1, Nishishinjuku 2-chome,  
Shinjuku-ku, Tokyo 163-0722, Japan  
Tel: +81-3-5322-3347 Fax: +81-3-5322-3387  
<http://jp.fujitsu.com/fml/en/>

*For further information please contact:*

### North and South America

FUJITSU MICROELECTRONICS AMERICA, INC.  
1250 E. Arques Avenue, M/S 333  
Sunnyvale, CA 94085-5401, U.S.A.  
Tel: +1-408-737-5600 Fax: +1-408-737-5999  
<http://www.fma.fujitsu.com/>

### Asia Pacific

FUJITSU MICROELECTRONICS ASIA PTE. LTD.  
151 Lorong Chuan,  
#05-08 New Tech Park 556741 Singapore  
Tel : +65-6281-0770 Fax : +65-6281-0220  
<http://www.fmal.fujitsu.com/>

### Europe

FUJITSU MICROELECTRONICS EUROPE GmbH  
Pittlerstrasse 47, 63225 Langen, Germany  
Tel: +49-6103-690-0 Fax: +49-6103-690-122  
<http://emea.fujitsu.com/microelectronics/>

### FUJITSU MICROELECTRONICS SHANGHAI CO., LTD.

Rm. 3102, Bund Center, No.222 Yan An Road (E),  
Shanghai 200002, China  
Tel : +86-21-6146-3688 Fax : +86-21-6335-1605  
<http://cn.fujitsu.com/fmc/>

### Korea

FUJITSU MICROELECTRONICS KOREA LTD.  
206 Kosmo Tower Building, 1002 Daechi-Dong,  
Gangnam-Gu, Seoul 135-280, Republic of Korea  
Tel: +82-2-3484-7100 Fax: +82-2-3484-7111  
<http://kr.fujitsu.com/fmk/>

### FUJITSU MICROELECTRONICS PACIFIC ASIA LTD.

10/F., World Commerce Centre, 11 Canton Road,  
Tsimshatsui, Kowloon, Hong Kong  
Tel : +852-2377-0226 Fax : +852-2376-3269  
<http://cn.fujitsu.com/fmc/en/>

Specifications are subject to change without notice. For further information please contact each office.

### All Rights Reserved.

The contents of this document are subject to change without notice.

Customers are advised to consult with sales representatives before ordering.

The information, such as descriptions of function and application circuit examples, in this document are presented solely for the purpose of reference to show examples of operations and uses of FUJITSU MICROELECTRONICS device; FUJITSU MICROELECTRONICS does not warrant proper operation of the device with respect to use based on such information. When you develop equipment incorporating the device based on such information, you must assume any responsibility arising out of such use of the information.

FUJITSU MICROELECTRONICS assumes no liability for any damages whatsoever arising out of the use of the information.

Any information in this document, including descriptions of function and schematic diagrams, shall not be construed as license of the use or exercise of any intellectual property right, such as patent right or copyright, or any other right of FUJITSU MICROELECTRONICS or any third party or does FUJITSU MICROELECTRONICS warrant non-infringement of any third-party's intellectual property right or other right by using such information. FUJITSU MICROELECTRONICS assumes no liability for any infringement of the intellectual property rights or other rights of third parties which would result from the use of information contained herein.

The products described in this document are designed, developed and manufactured as contemplated for general use, including without limitation, ordinary industrial use, general office use, personal use, and household use, but are not designed, developed and manufactured as contemplated (1) for use accompanying fatal risks or dangers that, unless extremely high safety is secured, could have a serious effect to the public, and could lead directly to death, personal injury, severe physical damage or other loss (i.e., nuclear reaction control in nuclear facility, aircraft flight control, air traffic control, mass transport control, medical life support system, missile launch control in weapon system), or (2) for use requiring extremely high reliability (i.e., submersible repeater and artificial satellite).

Please note that FUJITSU MICROELECTRONICS will not be liable against you and/or any third party for any claims or damages arising in connection with above-mentioned uses of the products.

Any semiconductor devices have an inherent chance of failure. You must protect against injury, damage or loss from such failures by incorporating safety design measures into your facility and equipment such as redundancy, fire protection, and prevention of over-current levels and other abnormal operating conditions.

Exportation/release of any products described in this document may require necessary procedures in accordance with the regulations of the Foreign Exchange and Foreign Trade Control Law of Japan and/or US export control laws.

The company names and brand names herein are the trademarks or registered trademarks of their respective owners.

Edited: Business & Media Promotion Dept.