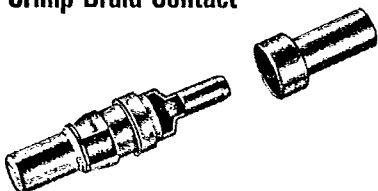


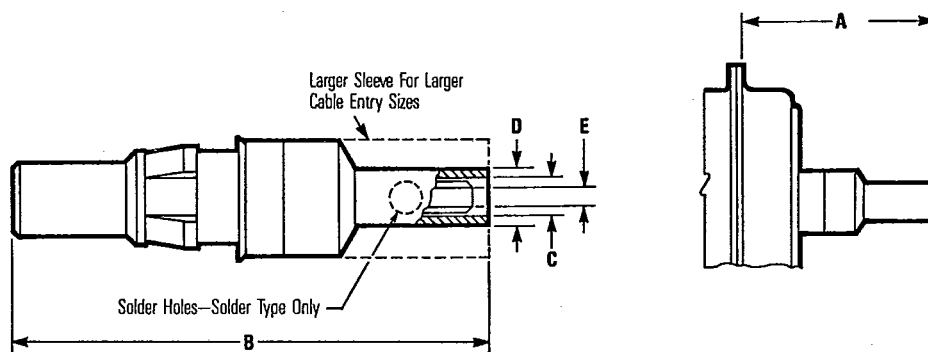
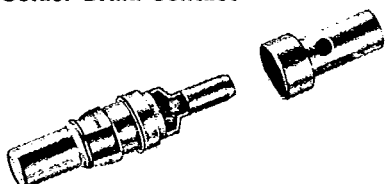
D-Subminiature Coaxial Contacts

Straight Plugs

Crimp Braid Contact



Solder Braid Contact



Photos are 1/2 x actual size

Ordering Information

Dimensions

Catalog Number Standard Plating	Military Plating	A		B		C		D		E		Use With RG Cable or Equivalent
		in	mm	in	mm	in	mm	in	mm	in	mm	
Crimp Braid Contact												
CN0961-P01C1	CN0961-P01C2	.739	18.77	.929	23.60	.093	2.36	.118	3.00	.040	1.02	RG 178 B/U
CN0961-P04C1	CN0961-P04C2	.739	18.77	.929	23.60	.125	3.18	.152	3.86	.067	1.70	RG 179 B/U RG 316 B/U
CN0961-P07C1	CN0961-P07C2	.847	21.51	1.037	26.34	.202	5.13	.235	5.97	.110	2.79	RG 180 B/U
CN0961-P08C1	CN0961-P08C2	.847	21.51	1.037	26.34	.202	5.13	.235	5.97	.125	3.18	RG 58 B/U

Specials

CN0961-P01C2-01												Description for each of these straight plugs can be determined by using the Part Number System explained on page 12.
CN0961-P04C8												
CN0961-P07C8												

Catalog Number Standard Plating	Military Plating	A		B		C		D		E		Use With RG Cable or Equivalent
		in	mm	in	mm	in	mm	in	mm	in	mm	
Solder Braid Contact												
CN0961-P01S1	CN0961-P01S2	.739	18.77	.929	23.60	.093	2.36	.118	3.00	.040	1.02	RG 178 B/U
CN0961-P04S1	CN0961-P04S2	.739	18.77	.929	23.60	.125	3.18	.152	3.86	.067	1.70	RG 179 B/U RG 316 B/U
CN0961-P07S1	CN0961-P07S2	.847	21.51	1.037	26.34	.202	5.13	.235	5.97	.110	2.79	RG 180 B/U
CN0961-P08S1	CN0961-P08S2	.847	21.51	1.037	26.34	.202	5.13	.235	5.97	.125	3.18	RG 58 B/U

Specials

CN0961-P01S1-02	CN0961-P01S8	CN0961-P04S16	CN0961-P07S16-09	Description for each of these straight plugs can be determined by using the Part Number System explained on page 12.
CN0961-P01S15	CN0961-P01S2	CN0961-P01S16	CN0961-P08S8	
CN0961-P01S8-08	CN0961-P04S1-02	CN0961-P07S1-09	CN0961-P08S16	
CN0961-P01S13-08	CN0961-P04S8	CN0961-P07S1-05	CN0961-P02S2	
CN0961-P01S14-02	CN0961-P04S13	CN0961-P07S8		
CN0961-P01S14	CN0961-P04S2-02	CN0961-P07S16		

Reverse Type Straight Plugs

The reverse type straight plug has a plug outer shell but a pin inner contact. All other D-Subminiature features are the same as regular D-Subminiature Coax Contacts.

Description for each of these reverse contacts can be determined by using the Part Number System on page 12.

Catalog Number Reverse Type Straight Plugs

CN0961-RP04S1	CN0961-RP08S1
CN0961-RP07S1	CN0961-RP01S1