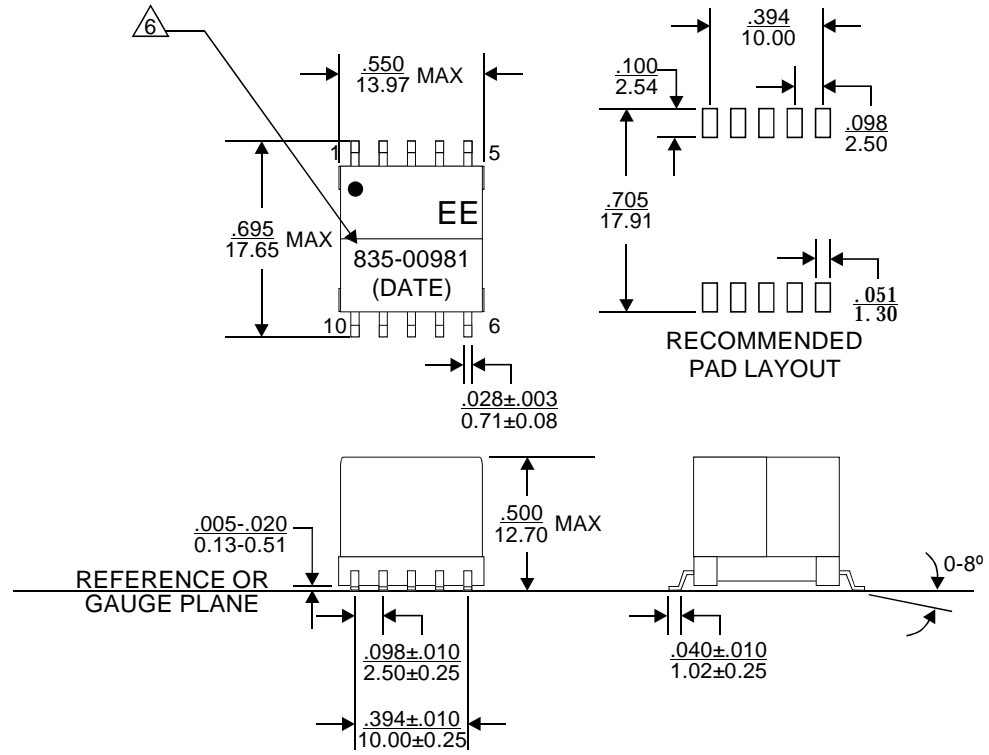


REVISIONS			
REV.	DESCRIPTION	ECN NO.	DATE
01	FIRST RELEASE	N/A	03/31/08

**PAGE 4 IS FOR INTERNAL ONLY**

PART NUMBER	PART DESCRIPTION	TITLE
835-00981	Standard version, with Lead(Pb)	TRANSFORMER, FLYBACK, SMT, 10 PIN
835-00981F	RoHS compliant per EU Directive 2002/95/EC(without exemption of solder content)	

<p align="center"><b><u>WARNING !</u></b></p> <p>ALL SHEETS OF THIS DOCUMENT ARE CONTROLLED DOCUMENTATION AND ARE NOT TO BE RELEASED OUTSIDE OF E&amp;E OR ITS SUB-CONTRACTORS WITHOUT AUTHORIZATION.</p>	<p>UNLESS OTHERWISE SPECIFIED, DIMENSIONS ARE IN INCH/mm.</p> <p align="center"><u>TOLERANCE ARE:</u></p> <table border="0"> <tr> <td>INCH</td> <td>mm</td> <td>ANGLE</td> </tr> <tr> <td>.XXX ± .005</td> <td>.XX ± 0.13</td> <td>X.X ± 0.3</td> </tr> <tr> <td>.XX ± .02</td> <td>.X ± 0.5</td> <td>X. ± 1</td> </tr> </table>	INCH	mm	ANGLE	.XXX ± .005	.XX ± 0.13	X.X ± 0.3	.XX ± .02	.X ± 0.5	X. ± 1	APPROVALS	DATE	 <b>E &amp; E Magnetic Products Ltd.</b>
		INCH	mm	ANGLE									
		.XXX ± .005	.XX ± 0.13	X.X ± 0.3									
		.XX ± .02	.X ± 0.5	X. ± 1									
		DRAWN BY											
PROJ. ENG				DRAWING NO./MODEL	REV								
APPROVED BY													
Q.A.				<b>835-00981</b>	<b>01</b>								
				SCALE	PAGE	OF							
				<b>DO NOT SCALE</b>	<b>1</b>	<b>4</b>							



1. Dimension are specified in  $\frac{\text{inches}}{\text{mm}}$  with higher precedence in mm.
  2. Unless otherwise specified, all tolerance are  $\pm \frac{.010}{0.25}$ .
  3. Coplanarity:  $\frac{.004}{0.10}$  max.
  4. "(DATE)" includes at least the manufacturing date code(in YYWW format) plus two character country code.
  5. Dimensions are to be measured in accordance with JEDEC standard 95-1.
- △ For RoHS compliant version, 835-00981F, the part will be marked with "835-00981F", instead of "835-00981".

## MECHANICAL OUTLINE



E & E Magnetic Products Ltd.

DRAWING NO./MODEL

835-00981

REV

01

SCALE

DO NOT SCALE

PAGE

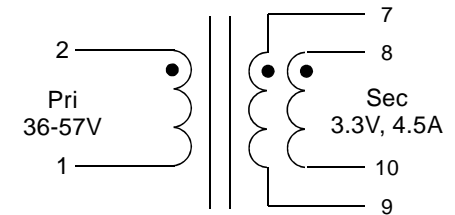
2

OF

4

**ELECTRICAL SPECIFICATION @25°C:**

PARAMETERS	UNIT	LIMITS
Turns Ratio(2-1):(7/8-9/10)	-	13 : 4 ± 2%
Polarity	-	Per Schematic
Inductance, Ls(2-1)@200kHz, 0.2Vrms, 0A <sub>dc</sub>	uH	40 ± 10%
Inductance, Ls(2-1)@200kHz, 0.2Vrms, 2.0A <sub>dc</sub>	uH	36 Min
DCR(2-1)	Ω	.100 Max
DCR(7-9)	Ω	.025 Max
DCR(8-10)	Ω	.025 Max
HIPOT(2-1):(7-8-9-10), 1 minute	Vrms	1500 Min
LL(2-1), short 7-8-9-10@200kHz, 0.2Vrms	uH	0.666 Max



**SCHEMATIC**

7. Operating temperature: -40°C to +85°C.
8. Output of the secondary is with the windings connected in parallel.
9. The transformer is designed to meet operational insulation only.



**E & E Magnetic Products Ltd.**

DRAWING NO./MODEL		REV
<b>835-00981</b>		<b>01</b>
SCALE	PAGE	OF
<b>DO NOT SCALE</b>	<b>3</b>	<b>4</b>