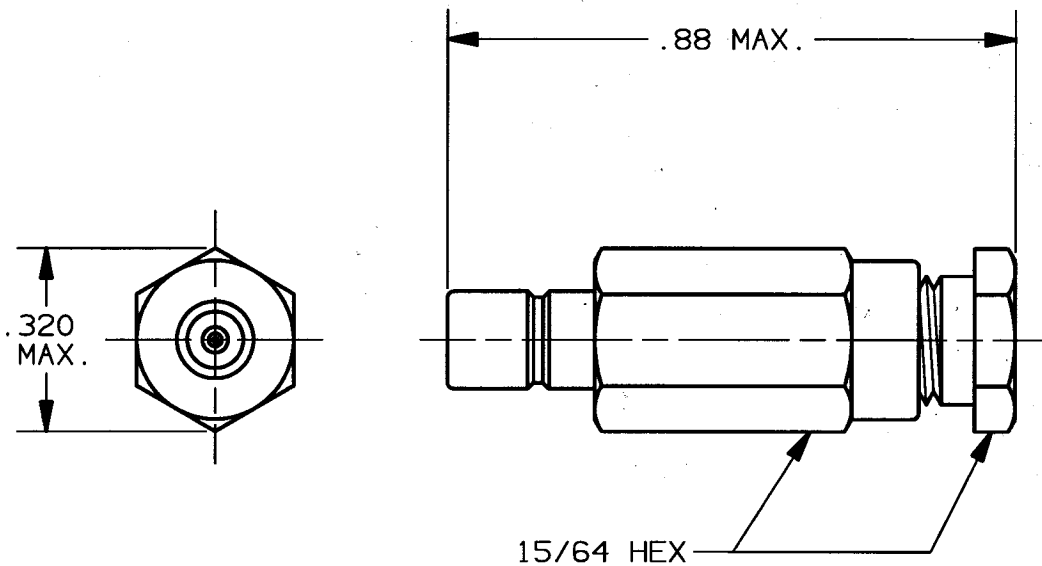


CONFIGURATION (TOLERANCE +/- .005 UNLESS OTHERWISE SPECIFIED)



"SMB" STRAIGHT, CLAMP TYPE PLUG FOR M17/93-RG178 AND M17/169-00001 CABLE

MATERIAL & FINISH:

BODY, CLAMP NUT, WASHERS & CLAMP: BRASS PER QQ-B-626, 1/2 H. ALLOY 360. GOLD PLATED PER MIL-G-45204, TYPE 1, GRADE C, CLASS 1; OVER COPPER PER MIL-C-14550, CLASS 4.

CONTACT: BRASS PER QQ-B-626, 1/2 H. ALLOY 360. GOLD PLATED PER MIL-G-45204, TYPE 1, GRADE C, CLASS 1; OVER NICKEL PER QQ-N-290, CLASS 1.

CLAMP: NICKEL SILVER. GOLD PLATED PER MIL-G-45204, TYPE 1, GRADE C, CLASS 1; OVER COPPER PER MIL-C-14550, CLASS 4.

GASKET: BUNA-N RUBBER PER MIL-P-5516, CLASS B.

INSULATORS: TEFLON PER ASTM-D170 & TYPE 1.

TEMP. RATING (DEGREES CENTIGRADE) -65°C TO +165°C
 VIBRATION (MIL-STD-202, METHOD 204, CONDITION B)
 SHOCK (MIL-STD-202, METHOD 213, COND. B)
 TEMP. CYCLING (MIL-STD-202, METHOD 107, COND. B, -65c TO 200° C)
 BAROMETRIC PRESSURE (ALTITUDE) MIL-STD-202, METHOD 105, COND. C, 70,000 FT., 185 VRMS)
 HERMETICITY N/A

CABLE ASSEMBLY INSTRUCTIONS PER S/M 300-80-509.

DWG. NO.

M39012/68-0003

ELECTRICAL:

NOMINAL IMPEDANCE (OHMS) 50
 FREQUENCY RANGE (GHZ) DC TO 4.0
 VOLTAGE RATING (MAX. VRMS) 250
 VSWR (MAX.) 1.30+.04f
 INSERTION LOSS (DB MAX.) .30 dB MAX. at 1.5 GHz
 RF LEAKAGE (MIN. DB DOWN) -55
 RF HIGH POTENTIAL (MAX. VRMS) 500 AT 5 MHZ
 DIELECTRIC WITHSTANDING VOLT. (MAX. VRMS) 750
 INSULATION RESISTANCE (MIN. MEGOHMS) 1000
 CONTACT RESISTANCE:
 CENTER CONTACT (MAX. MILLIOHMS) 6.0
 OUTER CONTACT (MAX. MILLIOHMS) 1.0

MECHANICAL:

PER MIL-C-39012/68B SERIES & S/M MD-121
 INTERFACE DIMENSIONS N/A
 RECOMMENDED MATING TORQUE N/A
 CENTER CONTACT AXIAL FORCES:
 INSERTION (MAX. OUNCES) N/A
 WITHDRAWAL (MIN. OUNCES) N/A
 CONNECTOR DURABILITY (MIN. CYCLES) 500
 CONNECTOR ENGAGEMENT & DISENGAGEMENT (MAX. LBS.) 14.0
 CENTER CONTACT RETENTION: 4 LBS. MIN. AXIAL FORCE

ENVIRONMENTAL:

SYM.	DESCRIPTION	DATE	APPR.	DRAWN:	APPROVED:
—	REL. 20719	4/93	DWC	D. CARNES	<i>[Signature]</i>
				DATE 4/23/93	DATE 4/23/93

**SOLITRON/VECTOR
MICROWAVE**

3301 ELECTRONICS WAY
WEST PALM BEACH, FL. 33407

DWG. NO.

M39012/68-0003