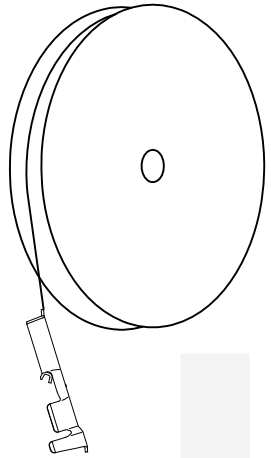
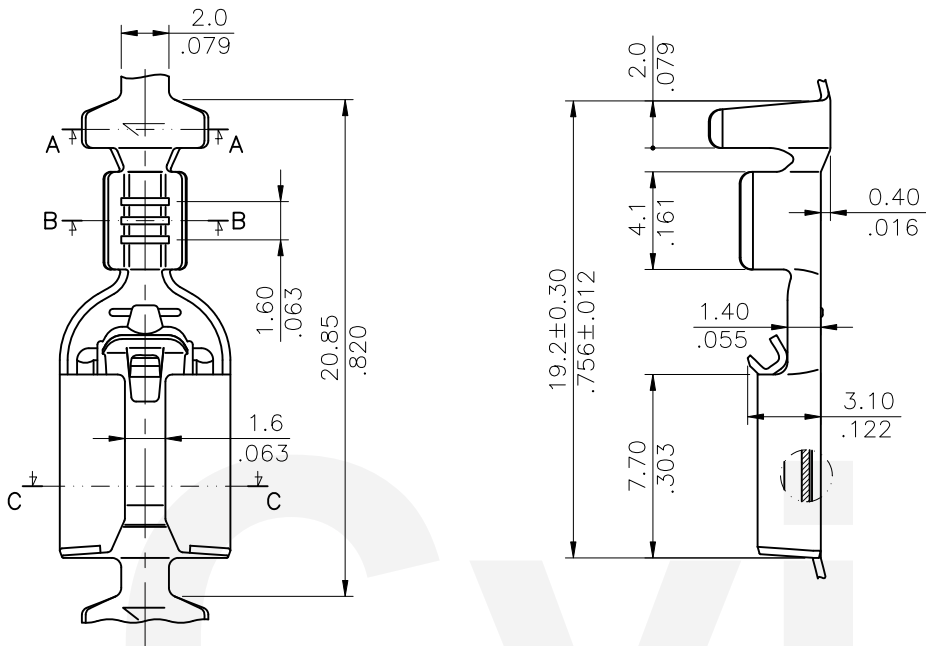


Part No.	Wire Range	Insulation Diameter	Reel Q'ty
CP50T031*P0	AWG #20~#22	2.55 (.100) MAX.	2,000 PCS.
CP50T041*P0	AWG #14~#18	3.45 (.136) MAX.	2,000 PCS.

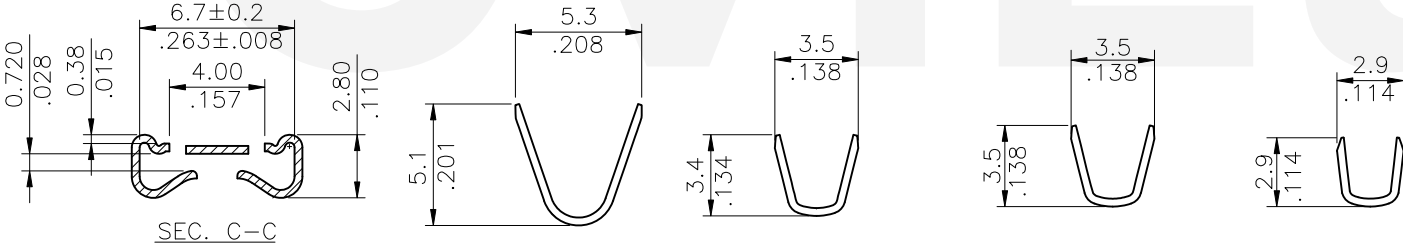


Feeding direction Δ

Ordering Code:

CP50 T04 1 B P 0
 ① ② ③ ④ ⑤ ⑥

- ① Series No.
- ② Type: T04= AWG #14 ~ #18
T03= AWG #20 ~ #22
- ③ Plating:
1= 3.05 μ m (120 μ "") Tin
over 0.76 μ m(30 μ "") Nickel
- ④ Material: B= Brass
P= Phosphor Bronze
- ⑤ Plating method: P= Post Plating
- ⑥ Option: 0= Standard



(P/N : CP50T041*P0)

(P/N : CP50T031*P0)

CIVILUX CORP
2020.10.23
ISSUED

SYM	NAME	DATE	REVISIONS	APPROVED BY:	DATE	UNIT: mm / inch	TITLE:	Crimlux Corporation				
4							CRIMP TERMINAL	瀚荃股份有限公司 CviLux Corporation				
3												
2	Kenny	10/13-20'	ECRT120070/ECNT120256	ENGINEER:	Kenny	10/13-20'	TOLERANCE UNLESS OTHERWISE SPECIFIED .X ± 0.30/.012 X' ± 1" .XX ± 0.20/.008 .X' ± .XXX ± 0.10/.004 .XX' ±	MATERIAL:	DRAWING NO.	CP5002SC	PART NO.	CP50T0*1*P0
1	Sun	9/10/15'	ECRB115047/ECNT115209	CHECKED BY:	Sun	10/19-20'		FINISH:	SCALE	6 / 1	SHEET	1 OF 1
				APPROVED BY:	Eisley	10/19-20'						