

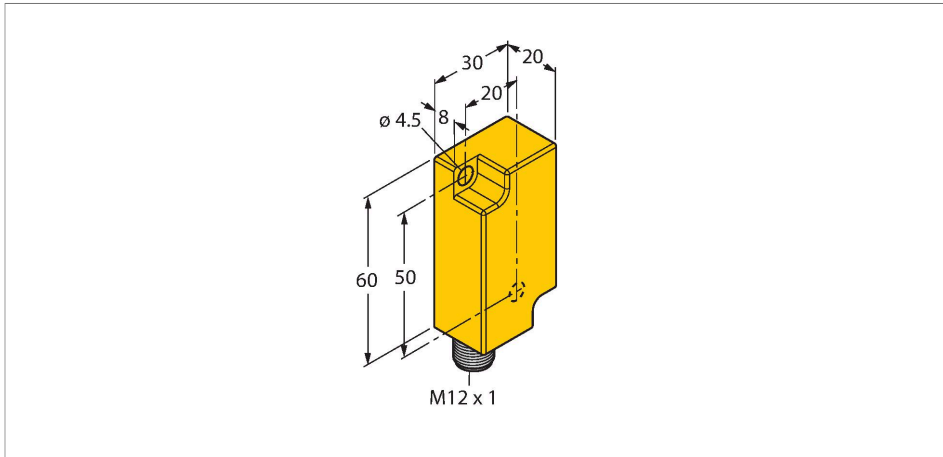
# B1N360V-Q20L60-LI2-H1151/S1225 Inclinometer

## Features

- Plastic, PC
- Measuring range adjustable via teach adapter TX1-Q20L60

## Functional principle

Inclination is determined by a wear-free semiconducting sensor element.

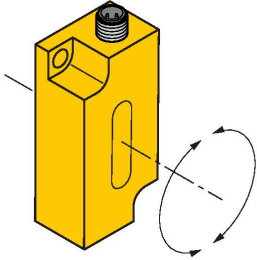


## Technical data

|                                 |  |
|---------------------------------|--|
| Type                            | B1N360V-Q20L60-LI2-H1151/S1225   |
| ID                              | 1534053  |
| Special version                 | S1225 corresponds to:<br>Inclinometers: 6 Hz low-pass filter and level 2 |
| Measuring principle             | Acceleration   |
| <b>General data</b>             |  |
| Measuring range                 | 0...360 °  |
| Number of measuring axes        | 1  |
| Linearity deviation             | ≤ 0.6 %  |
| <b>Electrical data</b>          |  |
| <b>Mechanical data</b>          |  |
| Design                          | Rectangular, Q20L60  |
| Dimensions                      | 60 x 30 x 20 mm  |
| Housing material                | Plastic, PC  |
| <b>Environmental conditions</b> |  |
| Ambient temperature             | -30...+70 °C   |
| Protection class                | IP68<br>IP69K  |
| MTTF                            | 203 years acc. to SN 29500 (Ed. 99) 40 °C                                |

## Mounting instructions

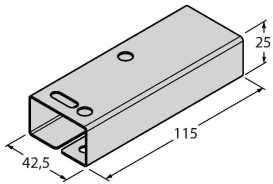
Mounting instructions/Description



## Accessories

GUARD-Q20L60

A9684



Protective housing for Q20L60 inclinometers for protecting against mechanical impact; material: Stainless steel