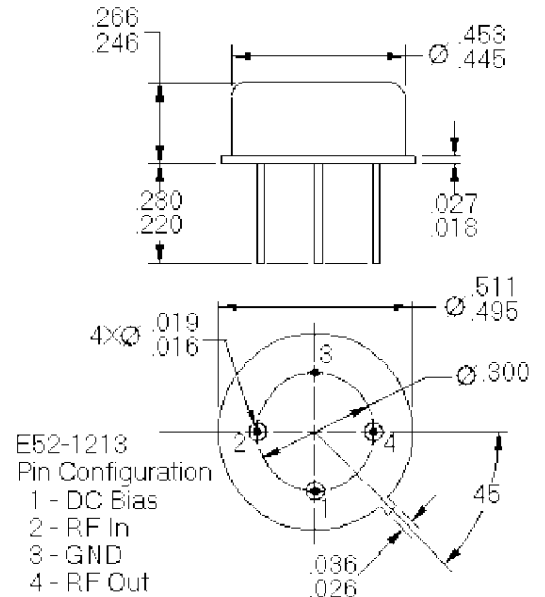


QBH-112 Amplifier Performance Specifications

Specifications	Min/Max +25 °C	Min/Max -55 to +85 °C
Frequency (MHz)	50 – 1000	
Gain (dB)	0.0	
Gain Flatness (dB)	+1.0	
Noise Figure (dB)	13.0	
Power Out (dBm)	+19.0	
3rd Order Int (dBm)	+30.0	
2nd Order Int (dBm)		
Reverse Isolation (dB)	+20.0	
Input VSWR	2.2:1	
Output VSWR		
DC Current (mA)	+125.0	
DC Voltage (V)	+15.0	
Gain vs. Vdc (dB/V)		

Mechanical Outline Drawing



Absolute Maximum Ratings	
Sustained Voltage (Vdc)	+16.5
Pulsed (Transient) Voltage (V)	+16.5
Operating Temperature	-55 to +85 °C
Storage Temperature	-65 to +150 °C
Maximum Input Drive (Vrms)	+2.0
Thermal Rise, junction-case	+42 °C

Q-bit Corporation

2144 Franklin Drive NE
Palm Bay, FL 32905
Q-Vision Ver. 1.0

Phone: (407) 727-1838
FAX: (407) 727-3729
Date: 06-03-1998

E-mail: sales@q-bit.com
Sales: (800) 226-1772

QBH-112 Amplifier Performance Specifications

Q-bit Corporation

2144 Franklin Drive NE
Palm Bay, FL 32905
Q-Vision Ver. 1.0

Phone: (407) 727-1838
FAX: (407) 727-3729
Date: 06-03-1998

E-mail: sales@q-bit.com
Sales: (800) 226-1772