

K4R521669A  
/K4R761869A for short channel 1066 MHz

Preliminary  
Direct RDRAM™

---

# 512/576Mbit RDRAM(A-die)

*1M x 16/18bit x 32s banks*

*Short channel Direct RDRAM™*

Version 1.4

July 2002

**K4R521669A**  
**/K4R761869A for short channel 1066 MHz**

**Preliminary**  
**Direct RDRAM™**

---

## Change History

<b>Version 1.4( July 2002) - Preliminary</b>
<i>- First Copy ( Version 1.4 is named to unify the version of component and device operation datasheets)</i>
<i>- Based on the 256/288Mb D-die for Short Channel datasheet version 1.4</i>

- First Copy ( Version 1.4 is named to unify the version of component and device operation datasheets)*
- Based on the 256/288Mb D-die for Short Channel datasheet version 1.4*

**Overview**

The Rambus Direct RDRAM™ is a general purpose high-performance memory device suitable for use in a broad range of applications including computer memory, graphics, video, and any other application where high bandwidth and low latency are required.

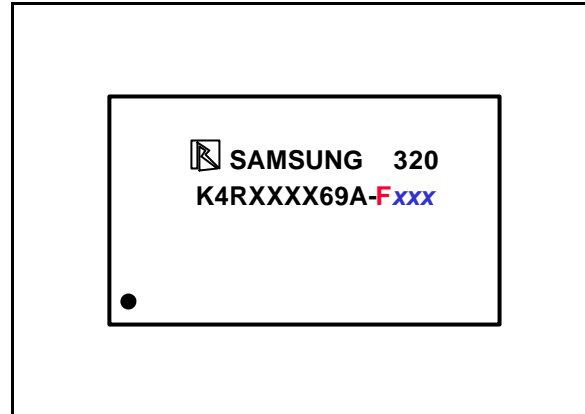
The 512/576-Mbit Direct Rambus DRAMs (RDRAM®) are extremely high-speed CMOS DRAMs organized as 32M words by 16 or 18 bits. The use of Rambus Signaling Level (RSL) technology permits up to 1066 MHz transfer rates while using conventional system and board design technologies. Direct RDRAM devices are capable of sustained data transfers up to at 0.938ns per two bytes (7.5ns per sixteen bytes).

The architecture of the Direct RDRAMs allows the highest sustained bandwidth for multiple, simultaneous randomly addressed memory transactions. The separate control and data buses with independent row and column control yield over 95% bus efficiency. The Direct RDRAM's 32 banks support up to four simultaneous transactions.

System oriented features for mobile, graphics and large memory systems include power management, byte masking, and x18 organization. The two data bits in the x18 organization are general and can be used for additional storage and bandwidth or for error correction.

**Features**

- ◆ Highest sustained bandwidth per DRAM device
  - 2.1GB/s sustained data transfer rate
  - Separate control and data buses for maximized efficiency
  - Separate row and column control buses for easy scheduling and highest performance
  - 32 banks: four transactions can take place simultaneously at full bandwidth data rates
- ◆ Low latency features
  - Write buffer to reduce read latency
  - 3 precharge mechanisms for controller flexibility
  - Interleaved transactions
- ◆ Advanced power management:
  - Multiple low power states allows flexibility in power consumption versus time to transition to active state
  - Power-down self-refresh
- ◆ Organization: 2kbyte pages and 32 banks, x 16/18
  - x18 organization allows ECC configurations or increased storage/bandwidth
  - x16 organization for low cost applications
- ◆ Uses Rambus Signaling Level (RSL) for up to 1066MHz operation



**Figure 1: Direct RDRAM CSP Package**

The 512/576-Mbit Direct RDRAMs are offered in a CSP horizontal package suitable for desktop as well as low-profile add-in card and mobile applications.

**Key Timing Parameters/Part Numbers**

Organization	Speed			Part Number
	Bin	I/O Freq. MHz	t <sub>RAC</sub> (Row Access Time) ns	
1Mx16x32s <sup>a</sup>	-CS9	1066	35	K4R521669A-F <sup>b</sup> C <sup>c</sup> S9
1Mx18x32s	-CS9	1066	35	K4R761869A-FCS9

a."32s" - 32 banks which use a "split" bank architecture.

b."F" - WBGA package.

c."C" - RDRAM core uses normal power self refresh.

**Pinouts and Definitions**

**Center-Bonded Devices**

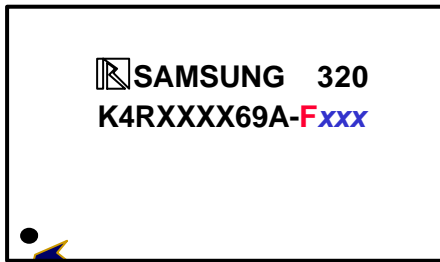
These tables shows the pin assignments of the center-bonded RDRAM package. The mechanical dimensions of this

package are shown in a later section. Refer to Section "Center-Bonded WBGA Package" on page 18. Note - pin #1 is at the A1 position.

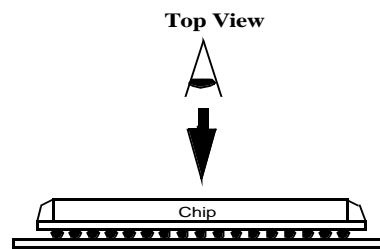
**Table 1: Center-Bonded Device (top view)**

10		V <sub>DD</sub>	GND		V <sub>DD</sub>	GND	V <sub>DD</sub>					V <sub>DD</sub>	V <sub>DD</sub>	V <sub>DD</sub>		GND	V <sub>DD</sub>		
9																			
8	GND	V <sub>DD</sub>	CMD	V <sub>DD</sub>	GND	GND <sub>a</sub>	GND <sub>a</sub>	V <sub>DD</sub>	V <sub>DD</sub>	GND	GND	V <sub>DD</sub>	V <sub>DD</sub>	GND	GND	V <sub>CMOS</sub>	V <sub>DD</sub>	GND	
7	V <sub>DD</sub>	DQA8	DQA7	DQA5	DQA3	DQA1	CTMN	CTM	RQ7	RQ5	RQ3	RQ1	DQB1	DQB3	DQB5	DQB7	DQB8	V <sub>DD</sub>	
6																			
5																			
4	GND	GND	DQA6	DQA4	DQA2	DQA0	CFM	CFMN	RQ6	RQ4	RQ2	RQ0	DQB0	DQB2	DQB4	DQB6	GND	GND	
3	V <sub>DD</sub>	GND	SCK	V <sub>CMOS</sub>	GND	V <sub>DD</sub>	GND	V <sub>DDa</sub>	V <sub>REF</sub>	GND	V <sub>DD</sub>	GND	GND	V <sub>DD</sub>	SIO0	SIO1	GND	V <sub>DD</sub>	
2																			
1		V <sub>DD</sub>	GND		GND	V <sub>DD</sub>	GND					GND	GND	GND		GND	V <sub>DD</sub>		
		A	B	C	D	E	F	G	H	J	K	L	M	N	P	R	S	T	U

↑ ROW  
 → COL



The pin #1(ROW 1, COL A) is located at the A1 position on the top side and the A1 position is marked by the marker "●".



**Table 2: Pin Description**

Signal	I/O	Type	# Pins center	Description
SIO1,SIO0	I/O	CMOS <sup>a</sup>	2	Serial input/output. Pins for reading from and writing to the control registers using a serial access protocol. Also used for power management.
CMD	I	CMOS <sup>a</sup>	1	Command input. Pins used in conjunction with SIO0 and SIO1 for reading from and writing to the control registers. Also used for power management.
SCK	I	CMOS <sup>a</sup>	1	Serial clock input. Clock source used for reading from and writing to the control registers
V <sub>DD</sub>			24	Supply voltage for the RDRAM core and interface logic.
V <sub>DDa</sub>			1	Supply voltage for the RDRAM analog circuitry.
V <sub>CMOS</sub>			2	Supply voltage for CMOS input/output pins.
GND			28	Ground reference for RDRAM core and interface.
GNDa			2	Ground reference for RDRAM analog circuitry.
DQA8..DQA0	I/O	RSL <sup>b</sup>	9	Data byte A. Nine pins which carry a byte of read or write data between the Channel and the RDRAM. DQA8 is not used (no connection) by RDRAMs with a x16 organization.
CFM	I	RSL <sup>b</sup>	1	Clock from master. Interface clock used for receiving RSL signals from the Channel. Positive polarity.
CFMN	I	RSL <sup>b</sup>	1	Clock from master. Interface clock used for receiving RSL signals from the Channel. Negative polarity
V <sub>REF</sub>			1	Logic threshold reference voltage for RSL signals
CTMN	I	RSL <sup>b</sup>	1	Clock to master. Interface clock used for transmitting RSL signals to the Channel. Negative polarity.
CTM	I	RSL <sup>b</sup>	1	Clock to master. Interface clock used for transmitting RSL signals to the Channel. Positive polarity.
RQ7..RQ5 or ROW2..ROW0	I	RSL <sup>b</sup>	3	Row access control. Three pins containing control and address information for row accesses.
RQ4..RQ0 or COL4..COL0	I	RSL <sup>b</sup>	5	Column access control. Five pins containing control and address information for column accesses.
DQB8..DQB0	I/O	RSL <sup>b</sup>	9	Data byte B. Nine pins which carry a byte of read or write data between the Channel and the RDRAM. DQB8 is not used (no connection) by RDRAMs with a x16 organization.
Total pin count per package			92	

a. All CMOS signals are high-true; a high voltage is a logic one and a low voltage is logic zero.

b. All RSL signals are low-true; a low voltage is a logic one and a high voltage is logic zero.

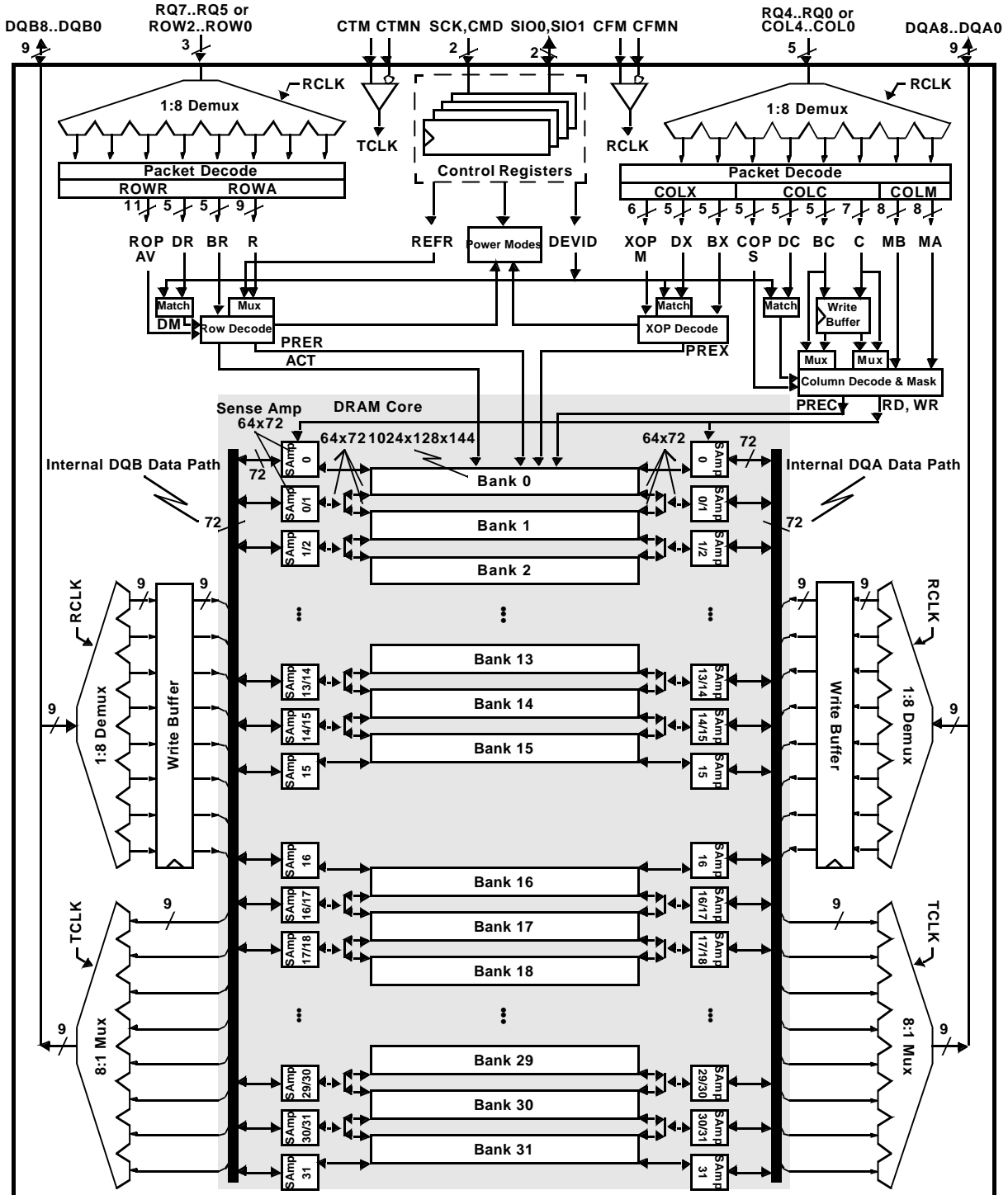


Figure 2: 512/576-Mbit (1Mx16/18x32s) Direct RDRAM Block Diagram

## General Description

Figure 2 is a block diagram of the 512/576-Mbit Direct RDRAM. It consists of two major blocks: a "core" block built from banks and sense amps similar to those found in other types of DRAM, and a Direct Rambus interface block which permits an external controller to access this core at up to 2.1GB/s.

**Control Registers:** The CMD, SCK, SIO0, and SIO1 pins appear in the upper center of Figure 2. They are used to write and read a block of control registers. These registers supply the RDRAM configuration information to a controller and they select the operating modes of the device. The REFR value is used for tracking the last refreshed row. Most importantly, the five bit DEVID specifies the device address of the RDRAM on the Channel.

**Clocking:** The CTM and CTMN pins (Clock-To-Master) generate TCLK (Transmit Clock), the internal clock used to transmit read data. The CFM and CFMN pins (Clock-From-Master) generate RCLK (Receive Clock), the internal clock signal used to receive write data and to receive the ROW and COL pins.

**DQA, DQB Pins:** These 16/18 pins carry read (Q) and write (D) data across the Channel. They are multiplexed/demultiplexed from/to two 64/72-bit data paths (running at one-eighth the data frequency) inside the RDRAM.

**Banks:** The 64Mbyte core of the RDRAM is divided into thirty two 2Mbyte banks, each organized as 1024 rows, with each row containing 128 dualocts, and each dualoct containing 16/18 bytes. A dualoct is the smallest unit of data that can be addressed.

**Sense Amps:** The RDRAM contains 34 sense amps. Each sense amp consists of 1kbyte of fast storage (512 bytes for DQA and 512 bytes for DQB) and can hold one-half of one row of one bank of the RDRAM. The sense amp may hold any of the 2048 half-rows of an associated bank. However, each sense amp is shared between two adjacent banks of the RDRAM (except for sense amps 0, 15, 16, and 31). This introduces the restriction that adjacent banks may not be simultaneously accessed.

**RQ Pins:** These pins carry control and address information. They are broken into two groups. RQ7..RQ5 are also called ROW2..ROW0, and are used primarily for controlling row accesses. RQ4..RQ0 are also called COL4..COL0, and are used primarily for controlling column accesses.

**ROW Pins:** The principle use of these three pins is to manage the transfer of data between the banks and the sense

amps of the RDRAM. These pins are de-multiplexed into a 24-bit ROWA (row-activate) or ROWR (row-operation) packet.

**COL Pins:** The principle use of these five pins is to manage the transfer of data between the DQA/DQB pins and the sense amps of the RDRAM. These pins are de-multiplexed into a 23-bit COLC (column-operation) packet and either a 17-bit COLM (mask) packet or a 17-bit COLX (extended-operation) packet.

**ACT Command:** An ACT (activate) command from an ROWA packet causes one of the 1024 rows of the selected bank to be loaded to its associated sense amps (two 512 bytes sense amps for DQA and two for DQB).

**PRER Command:** A PRER (precharge) command from an ROWR packet causes the selected bank to release its two associated sense amps, permitting a different row in that bank to be activated, or permitting adjacent banks to be activated.

**RD Command:** The RD (read) command causes one of the 128 dualocts of one of the sense amps to be transmitted on the DQA/DQB pins of the Channel.

**WR Command:** The WR (write) command causes a dualoct received from the DQA/DQB data pins of the Channel to be loaded into the write buffer. There is also space in the write buffer for the BC bank address and C column address information. The data in the write buffer is automatically retired (written with optional bytemask) to one of the 128 dualocts of one of the sense amps during a subsequent COP command. A retire can take place during a RD, WR, or NOCOP to another device, or during a WR or NOCOP to the same device. The write buffer will not retire during a RD to the same device. The write buffer reduces the delay needed for the internal DQA/DQB data path turn-around.

**PREC Precharge:** The PREC, RDA and WRA commands are similar to NOCOP, RD and WR, except that a precharge operation is performed at the end of the column operation. These commands provide a second mechanism for performing precharge.

**PREX Precharge:** After a RD command, or after a WR command with no byte masking (M=0), a COLX packet may be used to specify an extended operation (XOP). The most important XOP command is PREX. This command provides a third mechanism for performing precharge.

**Packet Format**

Figure3 shows the formats of the ROWA and ROWR packets on the ROW pins. Table3 describes the fields which comprise these packets. DR4T and DR4F bits are encoded to contain both the DR4 device address bit and a framing bit which allows the ROWA or ROWR packet to be recognized by the RDRAM.

The AV (ROWA/ROWR packet selection) bit distinguishes between the two packet types. Both the ROWA and ROWR packet provide a five bit device address and a five bit bank address. An ROWA packet uses the remaining bits to specify a nine bit row address, and the ROWR packet uses the remaining bits for an eleven bit opcode field. Note the use of the "RsvX" notation to reserve bits for future address field extension.

**Table 3: Field Description for ROWA Packet and ROWR Packet**

Field	Description
DR4T,DR4F	Bits for framing (recognizing) a ROWA or ROWR packet. Also encodes highest device address bit.
DR3..DR0	Device address for ROWA or ROWR packet.
BR4..BR0	Bank address for ROWA or ROWR packet. RsvB denotes bits ignored by the RDRAM.
AV	Selects between ROWA packet (AV=1) and ROWR packet (AV=0).
R9..R0	Row address for ROWA packet. RsvR denotes bits ignored by the RDRAM.
ROP10..ROP0	Opcode field for ROWR packet. Specifies precharge, refresh, and power management functions.

Figure3 also shows the formats of the COLC, COLM, and COLX packets on the COL pins. Table4 describes the fields which comprise these packets.

The COLC packet uses the S (Start) bit for framing. A COLM or COLX packet is aligned with this COLC packet, and is also framed by the S bit.

The 23 bit COLC packet has a five bit device address, a five bit bank address, a seven bit column address, and a four bit opcode. The COLC packet specifies a read or write command, as well as some power management commands.

The remaining 17 bits are interpreted as a COLM (M=1) or COLX (M=0) packet. A COLM packet is used for a COLC write command which needs bytemask control. The COLM packet is associated with the COLC packet from at least  $t_{RTR}$  earlier. A COLX packet may be used to specify an independent precharge command. It contains a five bit device address, a five bit bank address, and a five bit opcode. The COLX packet may also be used to specify some house-keeping and power management commands. The COLX packet is framed within a COLC packet but is not otherwise associated with any other packet.

**Table 4: Field Description for COLC Packet, COLM Packet, and COLX Packet**

Field	Description
S	Bit for framing (recognizing) a COLC packet, and indirectly for framing COLM and COLX packets.
DC4..DC0	Device address for COLC packet.
BC4..BC0	Bank address for COLC packet. RsvB denotes bits reserved for future extension (controller drives 0' s).
C6..C0	Column address for COLC packet. RsvC denotes bits ignored by the RDRAM.
COP3..COP0	Opcode field for COLC packet. Specifies read, write, precharge, and power management functions.
M	Selects between COLM packet (M=1) and COLX packet (M=0).
MA7..MA0	Bytemask write control bits. 1=write, 0=no-write. MA0 controls the earliest byte on DQA8..0.
MB7..MB0	Bytemask write control bits. 1=write, 0=no-write. MB0 controls the earliest byte on DQB8..0.
DX4..DX0	Device address for COLX packet.
BX4..BX0	Bank address for COLX packet. RsvB denotes bits reserved for future extension (controller drives 0' s).
XOP4..XOP0	Opcode field for COLX packet. Specifies precharge, I <sub>OL</sub> control, and power management functions.

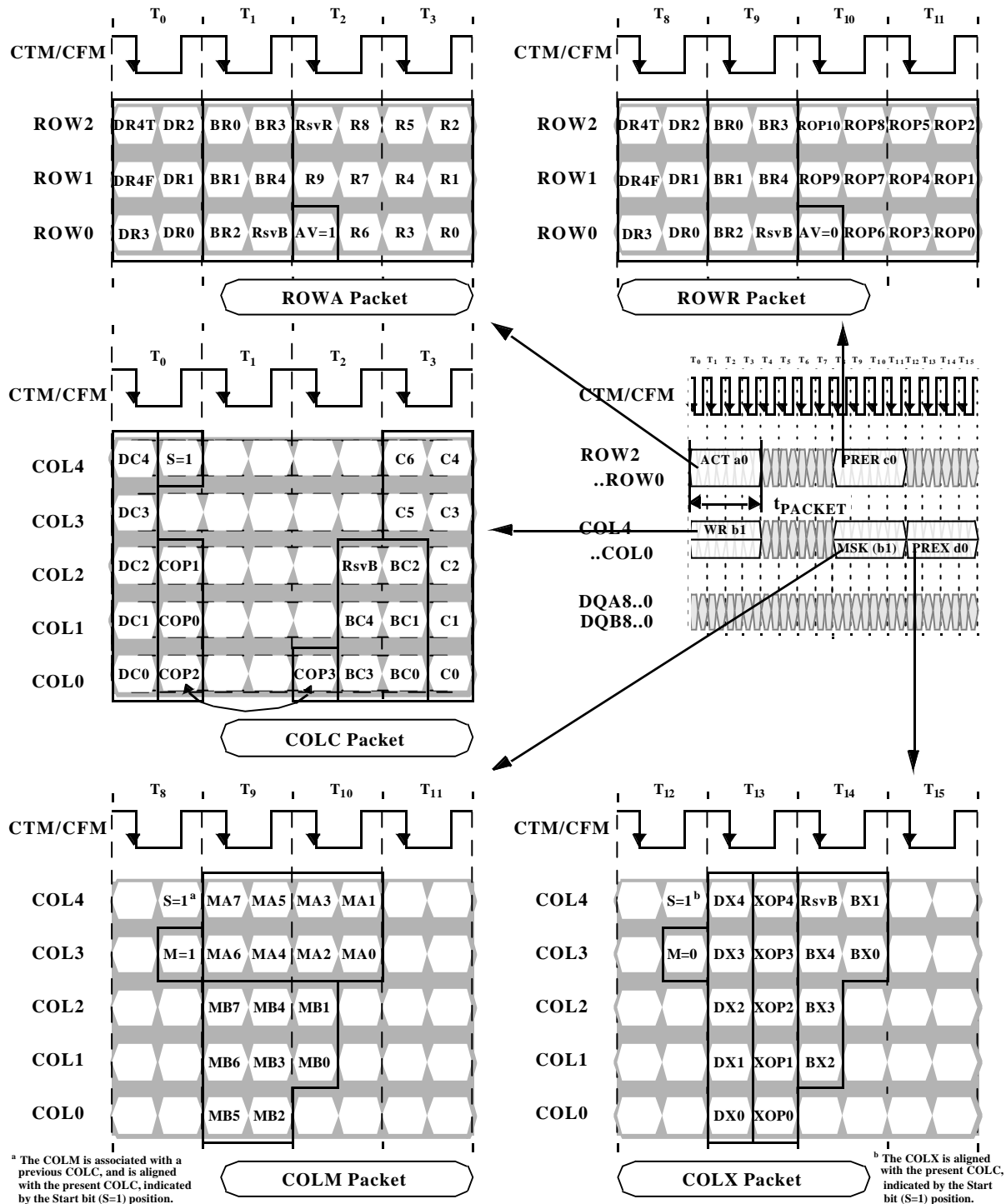


Figure 3: Packet Formats

**Field Encoding Summary**

Table5 shows how the six device address bits are decoded for the ROWA and ROWR packets. The DR4T and DR4F encoding merges a fifth device bit with a framing bit. When neither bit is asserted, the device is not selected. Note that a

broadcast operation is indicated when both bits are set. Broadcast operation would typically be used for refresh and power management commands. If the device is selected, the DM (DeviceMatch) signal is asserted and an ACT or ROP command is performed.

**Table 5: Device Field Encodings for ROWA Packet and ROWR Packet**

DR4T	DR4F	Device Selection	Device Match signal (DM)
1	1	All devices (broadcast)	DM is set to 1
0	1	One device selected	DM is set to 1 if {DEVID4..DEVID0} == {0,DR3..DR0} else DM is set to 0
1	0	One device selected	DM is set to 1 if {DEVID4..DEVID0} == {1,DR3..DR0} else DM is set to 0
0	0	No packet present	DM is set to 0

Table6 shows the encodings of the remaining fields of the ROWA and ROWR packets. An ROWA packet is specified by asserting the AV bit. This causes the specified row of the specified bank of this device to be loaded into the associated sense amps.

row address comes from an internal register REFR, and REFR is incremented at the largest bank address. The REFP (refresh-precharge) command is identical to a PRER command.

An ROWR packet is specified when AV is not asserted. An 11 bit opcode field encodes a command for one of the banks of this device. The PRER command causes a bank and its two associated sense amps to precharge, so another row or an adjacent bank may be activated. The REFA (refresh-activate) command is similar to the ACT command, except the

The NAPR, NAPRC, PDNR, ATTN, and RLXR commands are used for managing the power dissipation of the RDRAM and are described in more detail in "Power State Management" on page50. The TCEN and TCAL commands are used to adjust the output driver slew rate and they are described in more detail in "Current and Temperature Control" on page56.

**Table 6: ROWA Packet and ROWR Packet Field Encodings**

DM <sup>a</sup>	AV	ROP10..ROP0 Field									Name	Command Description
		10	9	8	7	6	5	4	3	2:0		
0	-	-	-	-	-	-	-	-	-	---	-	No operation.
1	1	Row address									ACT	Activate row R9..R0 of bank BR4..BR0 of device and move device to ATTN <sup>b</sup> .
1	0	1	1	0	0	0	x <sup>c</sup>	x	x	000	PRER	Precharge bank BR4..BR0 of this device.
1	0	0	0	0	1	1	0	0	x	000	REFA	Refresh (activate) row REFR8..REFR0 of bank BR4..BR0 of device. Increment REFR if BR4..BR0 = 11111 (see Figure52).
1	0	1	0	1	0	1	0	0	x	000	REFP	Precharge bank BR4..BR0 of this device after REFA (see Figure52).
1	0	x	x	0	0	0	0	1	x	000	PDNR	Move this device into the powerdown (PDN) power state (see Figure49).
1	0	x	x	0	0	0	1	0	x	000	NAPR	Move this device into the nap (NAP) power state (see Figure49).
1	0	x	x	0	0	0	1	1	x	000	NAPRC	Move this device into the nap (NAP) power state conditionally
1	0	x	x	x	x	x	x	x	0	000	ATTN <sup>b</sup>	Move this device into the attention (ATTN) power state (see Figure47).
1	0	x	x	x	x	x	x	x	1	000	RLXR	Move this device into the standby (STBY) power state (see Figure48).
1	0	0	0	0	0	0	0	0	x	001	TCAL	Temperature calibrate this device (see Figure55).
1	0	0	0	0	0	0	0	0	x	010	TCEN	Temperature calibrate/enable this device (see Figure55).
1	0	0	0	0	0	0	0	0	0	000	NOROP	No operation.

a. The DM (Device Match signal) value is determined by the DR4T,DR4F, DR3..DR0 field of the ROWA and ROWR packets. See Table5.  
 b. The ATTN command does not cause a RLX-to-ATTN transition for a broadcast operation (DR4T/DR4F=1/1).  
 c. An "x" entry indicates which commands may be combined. For instance, the three commands PRER/NAPRC/RLXR may be specified in one ROP value (011000111000).

Table 7 shows the COP field encoding. The device must be in the ATTN power state in order to receive COLC packets. The COLC packet is used primarily to specify RD (read) and WR (write) commands. Retire operations (moving data from the write buffer to a sense amp) happen automatically. See Figure 18 for a more detailed description.

The COLC packet can also specify a PREC command, which precharges a bank and its associated sense amps. The RDA/WRA commands are equivalent to combining RD/WR with a PREC. RLXC (relax) performs a power mode transition. See "Power State Management" on page 50.

**Table 7: COLC Packet Field Encodings**

S	DC4..DC0 (select device) <sup>a</sup>	COP3..0	Name	Command Description
0	----	----	-	No operation.
1	/= (DEVID4 ..0)	----	-	Retire write buffer of this device.
1	== (DEVID4 ..0)	x000 <sup>b</sup>	NOCOP	Retire write buffer of this device.
1	== (DEVID4 ..0)	x001	WR	Retire write buffer of this device, then write column C6..C0 of bank BC4..BC0 to write buffer.
1	== (DEVID4 ..0)	x010	RSRV	Reserved, no operation.
1	== (DEVID4 ..0)	x011	RD	Read column C6..C0 of bank BC4..BC0 of this device.
1	== (DEVID4 ..0)	x100	PREC	Retire write buffer of this device, then precharge bank BC4..BC0 (see Figure 15).
1	== (DEVID4 ..0)	x101	WRA	Same as WR, but precharge bank BC4..BC0 after write buffer (with new data) is retired.
1	== (DEVID4 ..0)	x110	RSRV	Reserved, no operation.
1	== (DEVID4 ..0)	x111	RDA	Same as RD, but precharge bank BC4..BC0 afterward.
1	== (DEVID4 ..0)	1xxx	RLXC	Move this device into the standby (STBY) power state (see Figure 48).

a. "/=" means not equal, "==" means equal.

b. An "x" entry indicates which commands may be combined. For instance, the two commands WR/RLXC may be specified in one COP value (1001).

Table 8 shows the COLM and COLX field encodings. The M bit is asserted to specify a COLM packet with two 8 bit bytemask fields MA and MB. If the M bit is not asserted, an COLX is specified. It has device and bank address fields, and an opcode field. The primary use of the COLX packet is to permit an independent PREX (precharge) command to be

specified without consuming control bandwidth on the ROW pins. It is also used for the CAL (calibrate) and SAM (sample) current control commands (see "Current and Temperature Control" on page 56), and for the RLXX power mode command (see "Power State Management" on page 50).

**Table 8: COLM Packet and COLX Packet Field Encodings**

M	DX4 .. DX0 (selects device)	XOP4..0	Name	Command Description
1	----	-	MSK	MB/MA bytemasks used by WR/WRA.
0	/= (DEVID4 ..0)	-	-	No operation.
0	== (DEVID4 ..0)	00000	NOXOP	No operation.
0	== (DEVID4 ..0)	1xxx0 <sup>a</sup>	PREX	Precharge bank BX3..BX0 of this device (see Figure 15).
0	== (DEVID4 ..0)	x10x0	CAL	Calibrate (drive) I <sub>OL</sub> current for this device (see Figure 54).
0	== (DEVID4 ..0)	x11x0	CAL/SAM	Calibrate (drive) and Sample (update) I <sub>OL</sub> current for this device (see Figure 54).
0	== (DEVID4 ..0)	xxx10	RLXX	Move this device into the standby (STBY) power state (see Figure 48).
0	== (DEVID4 ..0)	xxxx1	RSRV	Reserved, no operation.

a. An "x" entry indicates which commands may be combined. For instance, the two commands PREX/RLXX may be specified in one XOP value (10010).

**Electrical Conditions**

**Table 9: Electrical Conditions**

Symbol	Parameter and Conditions	Min	Max	Unit
T <sub>J</sub>	Junction temperature under bias	-	100	°C
V <sub>DD</sub> , V <sub>DDA</sub>	Supply voltage	2.50 - 0.13	2.50 + 0.13	V
V <sub>DD,N</sub> , V <sub>DDA,N</sub>	Supply voltage droop (DC) during NAP interval (t <sub>NLIMIT</sub> )	-	2.0	%
v <sub>DD,N</sub> , v <sub>DDA,N</sub>	Supply voltage ripple (AC) during NAP interval (t <sub>NLIMIT</sub> )	-2.0	2.0	%
V <sub>CMOS</sub> <sup>a</sup>	Supply voltage for CMOS pins (2.5V controllers) Supply voltage for CMOS pins (1.8V controllers)	V <sub>DD</sub> 1.80 - 0.1	V <sub>DD</sub> 1.80 + 0.2	V V
V <sub>REF</sub>	Reference voltage	1.40 - 0.2	1.40 + 0.2	V
V <sub>DIL</sub>	RSL data input - low voltage @ t <sub>CYCLE</sub> =1.875ns	V <sub>REF</sub> - 0.5	V <sub>REF</sub> - 0.2	V
V <sub>DIH</sub>	RSL data input - high voltage <sup>b</sup> @ t <sub>CYCLE</sub> =1.875ns	V <sub>REF</sub> + 0.2	V <sub>REF</sub> + 0.5	V
R <sub>DA</sub>	RSL data asymmetry : R <sub>DA</sub> = (V <sub>DIH</sub> - V <sub>REF</sub> ) / (V <sub>REF</sub> - V <sub>DIL</sub> )	0.67	1.00	-
V <sub>CM</sub>	RSL clock input - common mode V <sub>CM</sub> = (V <sub>CIH</sub> +V <sub>CIL</sub> )/2	1.3	1.8	V
V <sub>CIS,CTM</sub>	RSL clock input swing: V <sub>CIS</sub> = V <sub>CIH</sub> - V <sub>CIL</sub> (CTM,CTMN pins).	0.35	1.00	V
V <sub>CIS,CFM</sub>	RSL clock input swing: V <sub>CIS</sub> = V <sub>CIH</sub> - V <sub>CIL</sub> (CFM,CFMN pins).	0.225	1.00	V
V <sub>IL,CMOS</sub>	CMOS input low voltage	-0.3 <sup>c</sup>	V <sub>CMOS</sub> /2 - 0.25	V
V <sub>IH,CMOS</sub>	CMOS input high voltage	V <sub>CMOS</sub> /2 + 0.25	V <sub>CMOS</sub> +0.3 <sup>d</sup>	V

- a. V<sub>CMOS</sub> must remain on as long as V<sub>DD</sub> is applied and cannot be turned off.
- b. V<sub>DIH</sub> is typically equal to V<sub>TERM</sub> (1.8V±0.1V) under DC conditions in a system.
- c. Voltage undershoot is limited to -0.7V for a duration of less than 5ns.
- d. Voltage overshoot is limited to V<sub>CMOS</sub> +0.7V for a duration of less than 5ns

**Electrical Characteristics**

**Table 10: Electrical Characteristics**

Symbol	Parameter and Conditions	Min	Max	Unit
$\Theta_{JC}$	Junction-to-Case thermal resistance	-	0.5	°C/Watt
$I_{REF}$	$V_{REF}$ current @ $V_{REF,MAX}$	-10	10	μA
$I_{OH}$	RSL output high current @ ( $0 \leq V_{OUT} \leq V_{DD}$ )	-10	10	μA
$I_{ALL}$	RSL $I_{OL}$ current @ $t_{CYCLE} = 1.875ns$ $V_{OL} = 0.9V$ , $V_{DD,MIN}$ , $T_{J,MAX}$ <sup>a</sup>	30.0	90.0	mA
$\Delta I_{OL}$	RSL $I_{OL}$ current resolution step	-	2.0	mA
$r_{OUT}$	Dynamic output impedance @ $V_{OL} = 0.9V$	150	-	Ω
$I_{OL,NOM}$	RSL $I_{OL}$ current @ $V_{OL} = 1.0V$ <sup>b,c</sup> @ $t_{CYCLE} = 1.875ns$	26.6	30.6	mA
$I_{I,CMOS}$	CMOS input leakage current @ ( $0 \leq V_{I,CMOS} \leq V_{CMOS}$ )	-10.0	10.0	μA
$V_{OL,CMOS}$	CMOS output voltage @ $I_{OL,CMOS} = 1.0mA$	-	0.3	V
$V_{OH,CMOS}$	CMOS output high voltage @ $I_{OH,CMOS} = -0.25mA$	$V_{CMOS} - 0.3$	-	V

- a. This measurement is made in manual current control mode; i.e. with all output device legs sinking current.
- b. This measurement is made in automatic current control mode after at least 64 current control calibration operations to a device and after CCA and CCB are initialized to a value of 64. This value applies to all DQA and DQB pins.
- c. This measurement is made in automatic current control mode in a 25Ω test system with  $V_{TERM} = 1.714V$  and  $V_{REF} = 1.357V$  and with the ASYMA and ASYMB register fields set to 0.

**Timing Conditions**

**Table 11: Timing Conditions**

Symbol	Parameter	Min	Max	Unit	Figure(s)
$t_{CYCLE}$	CTM and CFM cycle times (-1066)	1.875	2.5	ns	Figure56
$t_{CR}, t_{CF}$	CTM and CFM input rise and fall times. Use the minimum value of these parameters during testing.	0.2	0.5	ns	Figure56
$t_{CH}, t_{CL}$	CTM and CFM high and low times	40%	60%	$t_{CYCLE}$	Figure56
$t_{TR}$	CTM-CFM differential (MSE/MS=0/0) CTM-CFM differential (MSE/MS=1/1) <sup>a</sup>	0.0 0.9	1.0 1.0	$t_{CYCLE}$	Figure43 Figure56
$t_{DCW}$	Domain crossing window	-0.1	0.1	$t_{CYCLE}$	Figure62
$t_{DR}, t_{DF}$	DQA/DQB/ROW/COL input rise/fall times (20% to 80%). Use the minimum value of these parameters during testing. @ $t_{CYCLE}=1.875ns$	0.2	0.65	ns	Figure57
$t_S, t_H$	DQA/DQB/ROW/COL-to-CFM set/hold @ $t_{CYCLE}=1.875ns$	0.190 <sup>b</sup>	-	ns	Figure57
$t_{DR1}, t_{DF1}$	SIO0, SIO1 input rise and fall times	-	5.0	ns	Figure59
$t_{DR2}, t_{DF2}$	CMD, SCK input rise and fall times	-	2.0	ns	Figure59
$t_{CYCLE1}$	SCK cycle time - Serial control register transactions	1000	-	ns	Figure59
	SCK cycle time - Power transitions @ $t_{CYCLE}=1.875ns$	7.5	-		
$t_{CH1}, t_{CL1}$	SCK high and low times @ $t_{CYCLE}=1.875ns$	4.25	-	ns	Figure59
$t_{S1}$	CMD setup time to SCK rising or falling edge <sup>c</sup> @ $t_{CYCLE}=1.875ns$	1.25	-	ns	Figure59
$t_{H1}$	CMD hold time to SCK rising or falling edge <sup>d</sup>	1	-	ns	Figure59
$t_{S2}$	SIO0 setup time to SCK falling edge	40	-	ns	Figure59
$t_{H2}$	SIO0 hold time to SCK falling edge	40	-	ns	Figure59
$t_{S3}$	PDEV setup time on DQA5..0 to SCK rising edge.	0	-	ns	Figure50
$t_{H3}$	PDEV hold time on DQA5..0 to SCK rising edge.	5.5	-	ns	Figure60
$t_{S4}$	ROW2..0, COL4..0 setup time for quiet window	-1	-	$t_{CYCLE}$	Figure50
$t_{H4}$	ROW2..0, COL4..0 hold time for quiet window <sup>d</sup>	5	-	$t_{CYCLE}$	Figure50
$t_{NPQ}$	Quiet on ROW/COL bits during NAP/PDN entry	4	-	$t_{CYCLE}$	Figure49
$t_{READTOCC}$	Offset between read data and CC packets (same device)	12	-	$t_{CYCLE}$	Figure54
$t_{CCSAMTOREAD}$	Offset between CC packet and read data (same device)	8	-	$t_{CYCLE}$	Figure54
$t_{CE}$	CTM/CFM stable before NAP/PDN exit	2	-	$t_{CYCLE}$	Figure50
$t_{CD}$	CTM/CFM stable after NAP/PDN entry	100	-	$t_{CYCLE}$	Figure49
$t_{FRM}$	ROW packet to COL packet ATTN framing delay	7	-	$t_{CYCLE}$	Figure48
$t_{NLIMIT}$	Maximum time in NAP mode		10.0	$\mu s$	Figure47
$t_{REF}$	Refresh interval		32	ms	Figure52
$t_{BURST}$	Interval after PDN or NAP (with self-refresh) exit in which all banks of the RDRAM must be refreshed at least once.		200	$\mu s$	Figure53
$t_{CTRL}$	Current control interval	34 $t_{CYCLE}$	100ms	ms/ $t_{CYCLE}$	Figure54

**Table 11: Timing Conditions**

Symbol	Parameter	Min	Max	Unit	Figure(s)
t <sub>TEMP</sub>	Temperature control interval		100	ms	Figure55
t <sub>TCEN</sub>	TCE command to TCAL command	150	-	t <sub>CYCLE</sub>	Figure55
t <sub>TCAL</sub>	TCAL command to quiet window	2	2	t <sub>CYCLE</sub>	Figure55
t <sub>TCQUIET</sub>	Quiet window (no read data)	140	-	t <sub>CYCLE</sub>	Figure55
t <sub>PAUSE</sub>	RDRAM delay (no RSL operations allowed)		200.0	μs	page 38

a. MSE/MS are fields of the SKIP register. For this combination (skip override) the tDCW parameter range is effectively 0.0 to 0.0.

b. t<sub>S,MIN</sub> and t<sub>H,MIN</sub> for other t<sub>CYCLE</sub> values can be interpolated between or extrapolated from the timings at the 2 specified t<sub>CYCLE</sub> values.

c. With V<sub>IL,CMOS</sub>=0.5V<sub>CMOS</sub>-0.4V and V<sub>IH,CMOS</sub>=0.5V<sub>CMOS</sub>+0.4V

d. Effective hold becomes t<sub>H4</sub>' = t<sub>H4</sub> + [PDNXA•64•t<sub>SCYCLE</sub> + t<sub>PDNXB,MAX</sub>] - [PDNX•256•t<sub>SCYCLE</sub>]  
 if [PDNX•256•t<sub>SCYCLE</sub>] < [PDNXA•64•t<sub>SCYCLE</sub> + t<sub>PDNXB,MAX</sub>]. See Figure50.

## Timing Characteristics

**Table 12: Timing Characteristics**

Symbol	Parameter	Min	Max	Unit	Figure(s)
$t_Q$	CTM-to-DQA/DQB output time @ $t_{CYCLE}=1.875ns$	-0.240 <sup>a</sup>	+0.240 <sup>a</sup>	ns	Figure58
$t_{QR}, t_{QF}$	DQA/DQB output rise and fall times @ $t_{CYCLE}=1.875ns$	0.2	0.45	ns	Figure58
$t_{Q1}$	SCK(neg)-to-SIO0 delay @ $C_{LOAD,MAX} = 20pF$ (SD read data valid).	-	10	ns	Figure61
$t_{HR}$	SCK(pos)-to-SIO0 delay @ $C_{LOAD,MAX} = 20pF$ (SD read data hold).	2	-	ns	Figure61
$t_{QR1}, t_{QF1}$	SIO <sub>OUT</sub> rise/fall @ $C_{LOAD,MAX} = 20pF$	-	12	ns	Figure61
$t_{PROP1}$	SIO0-to-SIO1 or SIO1-to-SIO0 delay @ $C_{LOAD,MAX} = 20pF$	-	20	ns	Figure61
$t_{NAPXA}$	NAP exit delay - phase A	-	50	ns	Figure50
$t_{NAPXB}$	NAP exit delay - phase B	-	40	ns	Figure50
$t_{PDNXA}$	PDN exit delay - phase A	-	4	μs	Figure50
$t_{PDNXB}$	PDN exit delay - phase B	-	9000	$t_{CYCLE}$	Figure50
$t_{AS}$	ATTN-to-STBY power state delay	-	1	$t_{CYCLE}$	Figure48
$t_{SA}$	STBY-to-ATTN power state delay	-	0	$t_{CYCLE}$	Figure48
$t_{ASN}$	ATTN/STBY-to-NAP power state delay	-	8	$t_{CYCLE}$	Figure49
$t_{ASP}$	ATTN/STBY-to-PDN power state delay	-	8	$t_{CYCLE}$	Figure49

a.  $t_{Q,MIN}$  and  $t_{Q,MAX}$  for other  $t_{CYCLE}$  values can be interpolated between or extrapolated from the timings at the 3 specified  $t_{CYCLE}$  values.

## Timing Parameters

**Table 13: Timing Parameter Summary**

Parameter	Description	Min -35 -1066	Max	Units	Figure(s)
$t_{RC}$	Row Cycle time of RDRAM banks -the interval between ROWA packets with ACT commands to the same bank.	32	-	$t_{CYCLE}$	Figure16 Figure17
$t_{RAS}$	RAS-asserted time of RDRAM bank - the interval between ROWA packet with ACT command and next ROWR packet with PRER <sup>a</sup> command to the same bank.	22	64 $\mu$ s <sup>b</sup>	$t_{CYCLE}$	Figure16 Figure17
$t_{RP}$	Row Precharge time of RDRAM banks - the interval between ROWR packet with PRER <sup>a</sup> command and next ROWA packet with ACT command to the same bank.	10	-	$t_{CYCLE}$	Figure16 Figure17
$t_{PP}$	Precharge-to-precharge time of RDRAM device - the interval between successive ROWR packets with PRER <sup>a</sup> commands to any banks of the same device.	8	-	$t_{CYCLE}$	Figure13
$t_{RR}$	RAS-to-RAS time of RDRAM device - the interval between successive ROWA packets with ACT commands to any banks of the same device.	8	-	$t_{CYCLE}$	Figure14
$t_{RCD}$	RAS-to-CAS Delay - the interval from ROWA packet with ACT command to COLC packet with RD or WR command). Note - the RAS-to-CAS delay seen by the RDRAM core ( $t_{RCD-C}$ ) is equal to $t_{RCD-C} = 1 + t_{RCD}$ because of differences in the row and column paths through the RDRAM interface.	9	-	$t_{CYCLE}$	Figure16 Figure17
$t_{CAC}$	CAS Access delay - the interval from RD command to Q read data. The equation for $t_{CAC}$ is given in the TPARM register in Figure40.	9	12	$t_{CYCLE}$	Figure5 Figure40
$t_{CWD}$	CAS Write Delay (interval from WR command to D write data.	6	6	$t_{CYCLE}$	Figure5
$t_{CC}$	CAS-to-CAS time of RDRAM bank - the interval between successive COLC commands).	4	-	$t_{CYCLE}$	Figure16 Figure17
$t_{PACKET}$	Length of ROWA, ROWR, COLC, COLM or COLX packet.	4	4	$t_{CYCLE}$	Figure3
$t_{RTR}$	Interval from COLC packet with WR command to COLC packet which causes retire, and to COLM packet with bytemask.	8	-	$t_{CYCLE}$	Figure18
$t_{OFFP}$	The interval (offset) from COLC packet with RDA command, or from COLC packet with retire command (after WRA automatic precharge), or from COLC packet with PREC command, or from COLX packet with PREX command to the equivalent ROWR packet with PRER. The equation for $t_{OFFP}$ is given in the TPARM register in Figure40.	4	4	$t_{CYCLE}$	Figure15 Figure40
$t_{RDP}$	Interval from last COLC packet with RD command to ROWR packet with PRER.	5	-	$t_{CYCLE}$	Figure16
$t_{RTP}$	Interval from last COLC packet with automatic retire command to ROWR packet with PRER.	5	-	$t_{CYCLE}$	Figure17

a. Or equivalent PREC or PREX command. See Figure15.

b. This is a constraint imposed by the core, and is therefore in units of  $\mu$ s rather than  $t_{CYCLE}$ .

**Absolute Maximum Ratings**

**Table 14: Absolute Maximum Ratings**

Symbol	Parameter	Min	Max	Unit
V <sub>LABS</sub>	Voltage applied to any RSL or CMOS pin with respect to Gnd	- 0.3	V <sub>DD</sub> +0.3	V
V <sub>DD,ABS</sub> , V <sub>VDDA,ABS</sub>	Voltage on VDD and VDDA with respect to Gnd	- 0.5	V <sub>DD</sub> +1.0	V
T <sub>STORE</sub>	Storage temperature	- 50	100	°C
T <sub>MIN</sub>	Minimum operation temperature	0	Note*	°C

Note\*) Component : refer to T<sub>J</sub>,Θ<sub>JC</sub> RIMM: refer to T<sub>PLATE, MAX</sub>

**I<sub>DD</sub> - Supply Current Profile**

**Table 15: Supply Current Profile**

I <sub>DD</sub> value	RDRAM Power State and Steady-State Transaction Rates <sup>a</sup>	Min	Max (1066MHz, -35)	Unit
I <sub>DD,PDN</sub>	Device in PDN, self-refresh enabled and INIT.LSR=0.	-	TBD	μA
I <sub>DD,NAP</sub>	Device in NAP.	-	TBD	mA
I <sub>DD,STBY</sub>	Device in STBY. This is the average for a device in STBY with (1) no packets on the Channel, and (2) with packets sent to other devices.	-	TBD	mA
I <sub>DD,REFRESH</sub>	Device in STBY and refreshing rows at the t <sub>REF,MAX</sub> period.	-	TBD	mA
I <sub>DD,ATTN</sub>	Device in ATTN. This is the average for a device in ATTN with (1) no packets on the Channel, and (2) with packets sent to other devices.	-	TBD	mA
I <sub>DD,ATTN-W</sub>	Device in ATTN. ACT command every 8•t <sub>CYCLE</sub> , PRE command every 8•t <sub>CYCLE</sub> , WR command every 4•t <sub>CYCLE</sub> , and data is 1100..1100	-	TBD	mA
I <sub>DD,ATTN-R</sub>	Device in ATTN. ACT command every 8•t <sub>CYCLE</sub> , PRE command every 8•t <sub>CYCLE</sub> , RD command every 4•t <sub>CYCLE</sub> , and data is 1111..1111 <sup>b</sup>	-	TBD	mA

a. CMOS interface consumes power in all power states.

b. This does not include the I<sub>OL</sub> sink current. The RDRAM dissipates I<sub>OL</sub>•V<sub>OL</sub> in each output driver when a logic one is driven.

**Table 16: Supply Current at Initialization**

Symbol	Parameter	Allowed Range of t <sub>CYCLE</sub>	V <sub>DD</sub>	Min	Max	Unit
I <sub>DD,PWRUP,D</sub>	I <sub>DD</sub> from power -on to SETR	1.875ns to 2.5ns	V <sub>DD,MIN</sub>	-	TBD	mA
I <sub>DD,SETR,D</sub>	I <sub>DD</sub> from SETR to CLRR	1.875ns to 2.5ns	V <sub>DD,MIN</sub>	-	TBD	mA

**Capacitance and Inductance**

**Table 17: RSL Pin Parasitics**

Symbol	Parameter and Conditions - RSL pins	Min	Max	Unit	Figure
$L_I$	RSL effective input inductance @ $t_{CYCLE}=1.875ns$	-	4.0	nH	Figure 63
$L_{12}$	Mutual inductance between any DQA or DQB RSL signals.	-	0.2	nH	Figure 63
	Mutual inductance between any ROW or COL RSL signals.	-	0.6	nH	
$\Delta L_I$	Difference in $L_I$ value between any RSL pins of a single device.	-	1.0	nH	Figure 63
$C_I$	RSL effective input capacitance <sup>a</sup> @ $t_{CYCLE}=1.875ns$	2.0	2.4	pF	Figure 63
$C_{12}$	Mutual capacitance between any RSL signals.	-	0.1	pF	Figure 63
$\Delta C_I$	Difference in $C_I$ value between average of {CTM, CTMN, CFM, CFMN} and any RSL pins of a single device.	-	0.06	pF	Figure 63
$R_I$	RSL effective input resistance @ $t_{CYCLE}=1.875ns$	4	15	$\Omega$	Figure 63

a. This value is a combination of the device IO circuitry and package capacitances measured at VDD=2.5V and f=400MHz with pin biased at 1.4V.

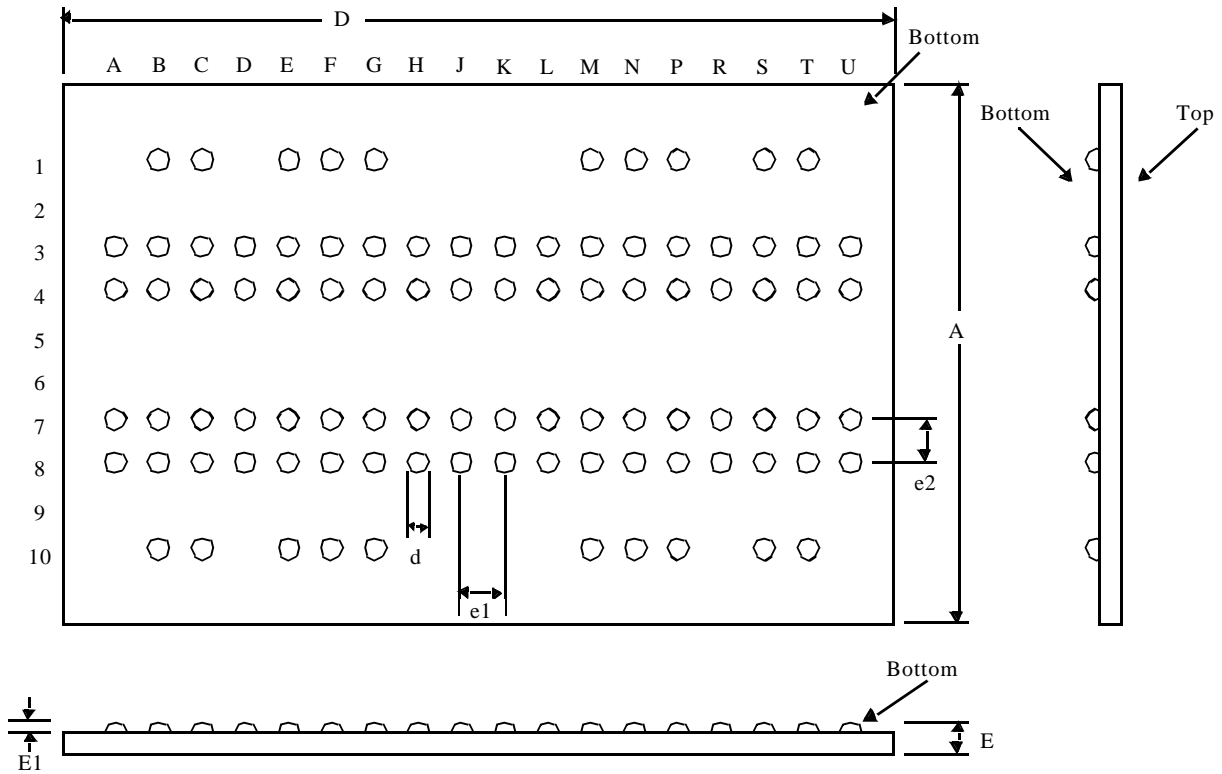
**Table 18: CMOS Pin Parasitics**

Symbol	Parameter and Conditions - CMOS pins	Min	Max	Unit	Figure
$L_{I,CMOS}$	CMOS effective input inductance		8.0	nH	Figure 63
$C_{I,CMOS}$	CMOS effective input capacitance (SCK,CMD) <sup>a</sup>	1.7	2.1	pF	
$C_{I,CMOS,SIO}$	CMOS effective input capacitance (SIO1, SIO0) <sup>a</sup>	-	7.0	pF	

a. This value is a combination of the device IO circuitry and package capacitances.

**Center-Bonded WBGA Package**  
**(92balls)**

Figure4 shows the form and dimensions of the recommended package for the 92balls center-bonded WBGA device class.



**Figure 4: Center-Bonded WBGA Package**

Table19 lists the numerical values corresponding to dimensions shown in Figure4.

**Table 19: Center-Bonded WBGA Package Dimensions**

Symbol	Parameter	Min.	Max.	Unit
e1	Ball pitch (x-axis)	0.80	0.80	mm
e2	Ball pitch (y-axis)	0.80	0.80	mm
A	Package body length	13.3	13.5	mm
D	Package body width	15.0	15.2	mm
E	Package total thickness	0.98	1.08	mm
E1	Ball height	0.30	0.40	mm
d	Ball diameter	0.40	0.50	mm