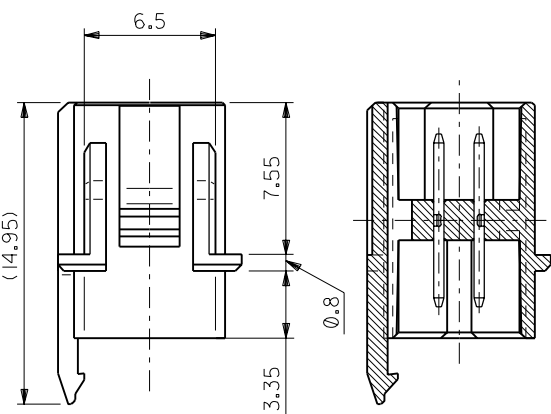
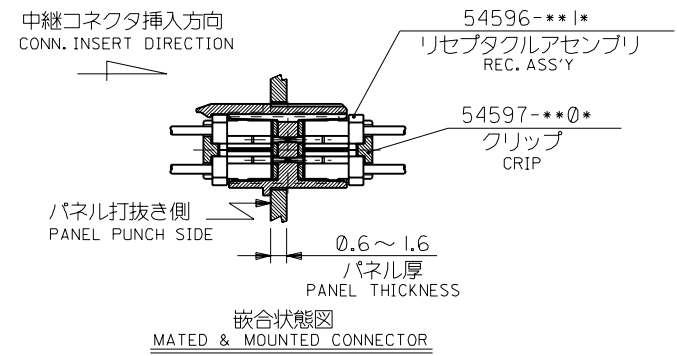


推奨パネル加工寸法 (SCALE:2-1)
RECOMMENDED PANEL CUT DIMENSION



注記
NOTES

- 材質
MATERIAL
フェーハ: ナイロン, UL-94V0
WAFER: NYLON, UL94-V0
ピン: 黄銅, スズメッキ
PIN: BRASS, PRE-TINNED
- 嵌合相手
MATES WITH
リセプタクルアセンブリ: 54596-***I*
REC. ASS'Y: 54596-***I*
クリップ: 54597-***0*
CRIP: 54597-***0*



34.05	23.75	30.25	33.85	40	55659-4010	55659-***10
32.8	22.5	29	32.6	38	55659-3810	
31.55	21.25	27.75	31.35	36	55659-3610	
30.3	20	26.5	30.1	34	55659-3410	
29.05	18.75	25.25	28.85	32	55659-3210	
27.8	17.5	24	27.6	30	55659-3010	
26.55	16.25	22.75	26.35	28	55659-2810	
25.3	15	21.5	25.1	26	55659-2610	
24.05	13.75	20.25	23.85	24	55659-2410	
22.8	12.5	19	22.6	22	55659-2210	
21.55	11.25	17.75	21.35	20	55659-2010	
20.3	10	16.5	20.1	18	55659-1810	
19.05	8.75	15.25	18.85	16	55659-1610	
17.8	7.5	14	17.6	14	55659-1410	
16.55	6.25	12.75	16.35	12	55659-1210	
15.3	5	11.5	15.1	10	55659-1010	
D	C	B	A	CKT	MATERIAL NO.	MODEL NO.

DO NOT SCALE DRAWING

EC NO. DRWN: CHK: APPR:	EC NO. DRWN: CHK: APPR:	EC NO. DRWN: CHK: APPR:	変更 REVISED EC NO. JD2001-1753 DRWN: M.ISOGAYA CHK: S.ICHIKAWA S.ICHIKAWA APPR: Y.ITO 新規作成 RELEASED EC NO. JD2001-1355 DRWN: M.ISOGAYA CHK: S.ICHIKAWA S.ICHIKAWA APPR: H.IKESUGI	DESCRIPTION	MATERIAL 材料	FINISH 仕上げ	WIRE RANGE 適用線径範囲	INS. RANGE 被覆外径	GENERAL TOLERANCES: (UNLESS SPECIFIED) 一般公差	SCALE 4-1	DESIGN UNITS <input checked="" type="checkbox"/> mm <input type="checkbox"/> INCH	THIRD ANGLE PROJECTION	DIMENSIONS: <input type="checkbox"/> mm <input type="checkbox"/> INCH <input checked="" type="checkbox"/> mm ONLY	SHT REV	REVISE ON CAD ONLY
A	0									55659003.S01			MATERIAL NO. SEE CHART	DRAWING NO. SD-55659-003	SHEET NO. 1 OF 1

THIS DRAWING CONTAINS INFORMATION THAT IS PROPRIETARY TO MOLEX INCORPORATED AND SHOULD NOT BE USED WITHOUT WRITTEN PERMISSION.

A
55659003.S01