

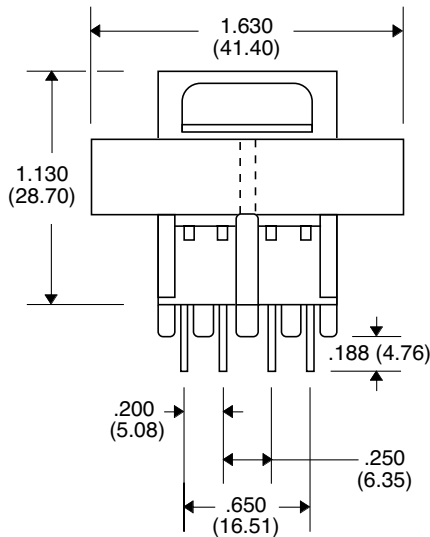
- Dual Primaries : 115 V / 230 V
- UL 94V-0 Recognized Components
- UL 1446 Class F Insulation System
- Meets or exceeds CSA/TUV/VDE Specifications for Creepage, Clearance and Dielectric Strength

### Electrical Parameters @ 25° C

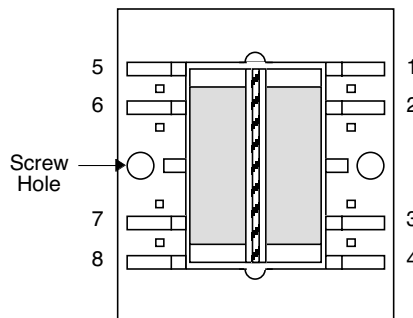
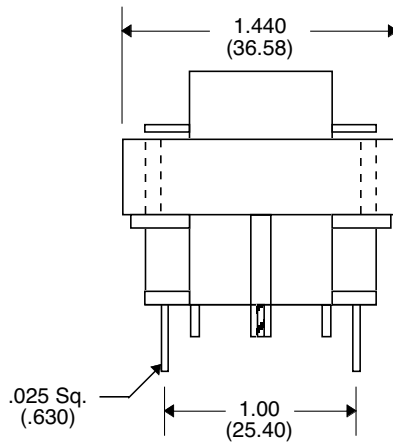
Part Number	Primary Voltage		Secondary Voltage		Secondary Current (A-Rms)		Power Rating (VA)
	Parallel Connection	Series Connection	Parallel Connection	Series Connection	Parallel Connection	Series Connection	
EPC3078-1	115	230	5.0	10	.500	.250	2.5
EPC3078-2	115	230	6.3	12.6	.400	.200	2.5
EPC3078-3	115	230	8.0	16	.310	.150	2.5
EPC3078-4	115	230	10	20	.250	.120	2.5
EPC3078-5	115	230	12	24	.210	.100	2.5
EPC3078-6	115	230	14	28	.180	.090	2.5
EPC3078-7	115	230	18	36	.140	.070	2.5

• Switching Frequency : 50 Hz - 500 Hz • Isolation : 4000 Vrms •

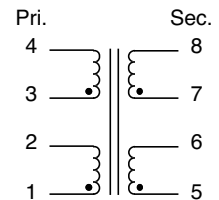
### Package



Mounting Screw Size #4  
(Qty. : 2)



### Schematic



Unless Otherwise Specified Dimensions are in Inches /mm ±.010 /.25