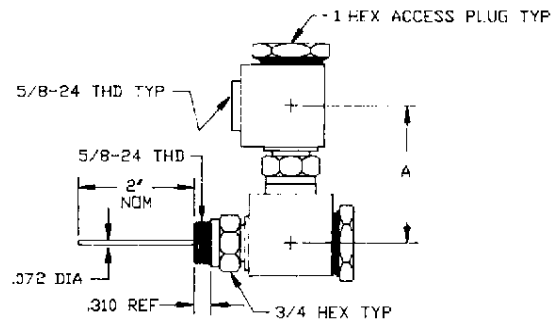


**180° ADAPTORS
& EXTENSIONS**

Ordering Information — 180° Adaptor

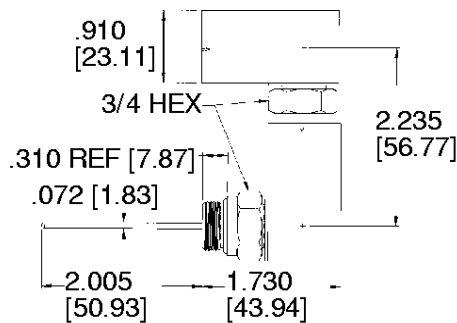
PART NUMBER	DIMENSION A
EU180	1.990
EU1803	3.270
EU18045	4.265

Accepts Center Conductor Size Up To .185



**Ordering Information —
180° Adaptor: Auto Seize (Screwless)**

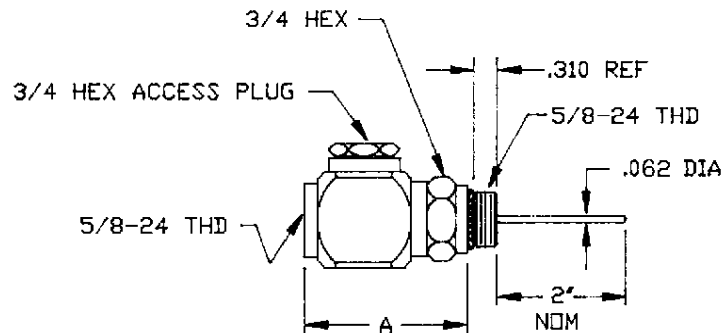
PART NUMBER
EU180AS



Ordering Information — Entry Extension

PART NUMBER	DIMENSION A
EXT175	1.750
EXT45	4.000
EXT66	6.250
EXT90	8.500

Accepts Center Conductor Size Up To .185



Dimensions shown are for reference only. Dimensions are in inches.