



Sprint - ST12A3 - 032107 - No
 (Family) (Model) (Part #) (In Stock)

Electrical Specifications

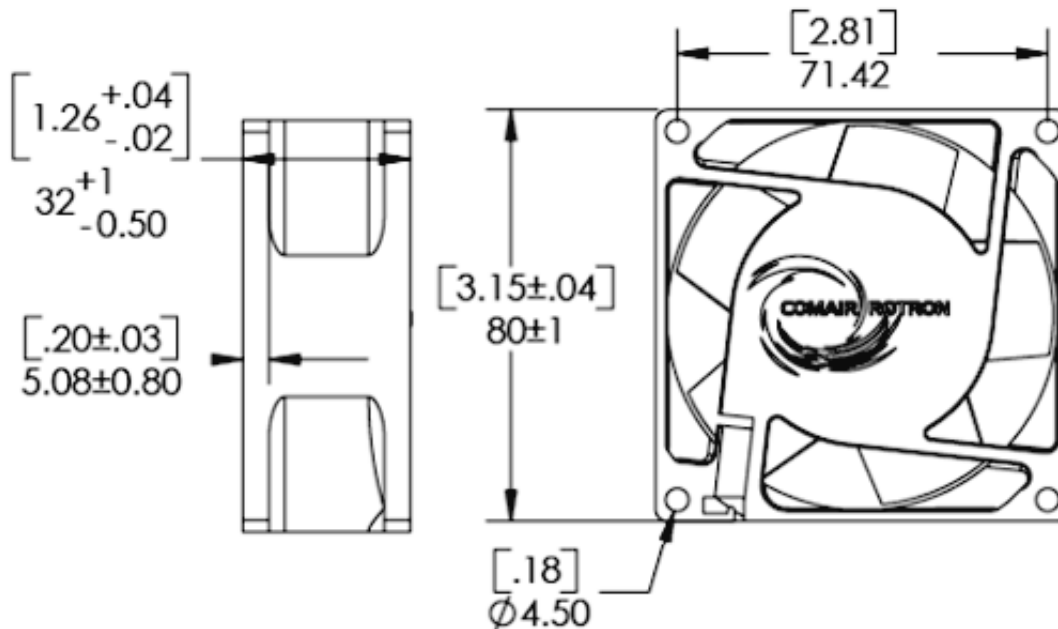
Operating Voltage:	12 Volts
Voltage Range:	6 - 14 Volts
Power Supply:	3.4 Watts
Line Current:	0.28 Amps
Locked Rotor Current	0.88 Amps
Nominal Speed:	3400 RPM

Mechanical Specifications

Dimensions:	3.1 x 3.1 x 1.3 in
Weight	6.35 oz
Max Airflow @ 0 in H ₂ O	34.0 CFM
Max Pressure @ 0 CFM	0.225 in H ₂ O
Noise	40.9 dBA



Mechanical Drawing



Comair Rotron, Inc.
 Phone: 619.651.2000
 sales@comairrotron.com

Comair Rotron Europe, Ltd.
 Phone: +44.1527.520525
 saleseurope@comairrotron.com

Comair Rotron Fan Company Ltd.
 Phone: +86.21.52260581
 salesasia@comairrotron.com

Print Date: Friday, March 23, 2012 at 01:18:12 - DC Fan Datasheet - Web Version 1.0 Rev. B



Fan Performance Curve

Fan Configuration Options

Sprint **ST12A3** / **032107** **No** **305 mm [12 inch] Leads**
 (Family) (Model) (Part #) (In Stock) (Features)

Fan Speed:	3400 RPM	Fan Bearings:	Sleeve Bearings
Fan Airflow Direction:	Flow R (CCW Rotation)	Fan Termination:	Leads

Fan Monitoring Options: **No Fan Monitoring Options Selected**

Fan Speed Control Option: **No ThermaPro-V Fan Speed Control Options Selected**

Environmental Protection Options: **No Enviroshield Options Selected**

Comair Rotron, Inc.
 Phone: 619.651.2000
 sales@comairrotron.com

Comair Rotron Europe, Ltd.
 Phone: +44.1527.520525
 saleseurope@comairrotron.com

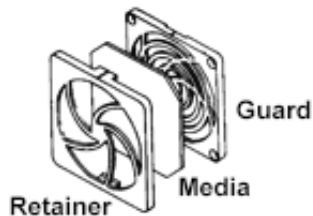
Comair Rotron Fan Company Ltd.
 Phone: +86.21.52260581
 salesasia@comairrotron.com

Print Date: Friday, March 23, 2012 at 01:18:12 - DC Fan Datasheet - Web Version 1.0 Rev. B

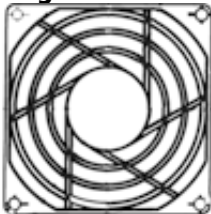


Accessories [\(Click on part number for detailed drawing.\)](#)

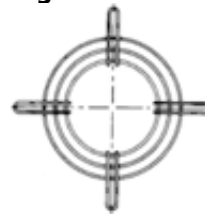
554141
Filter Guard Assembly



550648
Finger Guard



476143
Finger Guard



Comair Rotron, Inc.
Phone: 619.651.2000
sales@comairrotron.com

Comair Rotron Europe, Ltd.
Phone: +44.1527.520525
saleseurope@comairrotron.com

Comair Rotron Fan Company Ltd.
Phone: +86.21.52260581
salesasia@comairrotron.com

Print Date: Friday, March 23, 2012 at 01:18:12 - DC Fan Datasheet - Web Version 1.0 Rev. B