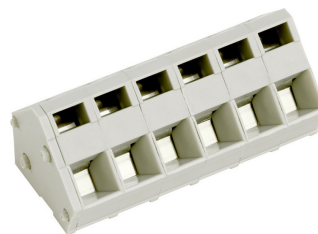


AK3000/..-5.0-PEBBLE GREY

1- to n-poles



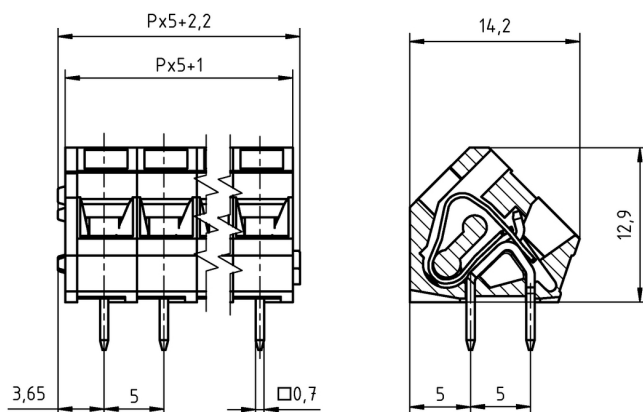
Technical Data

Wire Sizes		Insulating Material	
Solid min	0.08 mm ²	Material	PA 6.6
Solid max	2.5 mm ²	Flammability Class	UL 94 V-0
Stranded (flexible)		Temperatures	
min	0.14 mm ²	Operating Temperature	-30 °C - 105 °C
max	2.5 mm ²	Wave Soldering Process	
Stranded with Ferrule		Soldering Temperature, recommended	265 °C
min	0.14 mm ²	Peak Soldering Time, recommended	3-4 s
max	1.5 mm ²	Reflow Process	
Dimensions		Soldering Temperature, recommended	-
Stripped Length	6.0 mm	Peak Soldering Time, recommended	-
PCB Hole Diameter	1.0 mm	Materials	
Solder Tag		Copper Alloy	
Tension Spring		Stainless Steel	

Colours

PEBBLE GREY	RAL7032	
ORANGE	RAL2011	
BLUE	RAL5015	
LIGHT GREEN	similar RAL 6018	

Colours according to RAL, there may be variations on colour due to production conditions. Special colours on request.



Order Data (Spacing 5.0 mm)

Poles	Width (mm)	Article Designation	Article Number	PU
2	12.20	AK3000/2-5.0-PEBBLE GREY	53000020001F	200
3	17.20	AK3000/3-5.0-PEBBLE GREY	53000030001F	200
4	22.20	AK3000/4-5.0-PEBBLE GREY	53000040001F	200
5	27.20	AK3000/5-5.0-PEBBLE GREY	53000050001E	100
6	32.20	AK3000/6-5.0-PEBBLE GREY	53000060001E	100
7	37.20	AK3000/7-5.0-PEBBLE GREY	53000070001E	100
8	42.20	AK3000/8-5.0-PEBBLE GREY	53000080001D	50
9	47.20	AK3000/9-5.0-PEBBLE GREY	53000090001D	50
10	52.20	AK3000/10-5.0-PEBBLE GREY	53000100001D	50
11	57.20	AK3000/11-5.0-PEBBLE GREY	53000110001D	50
12	62.20	AK3000/12-5.0-PEBBLE GREY	53000120001D	50
13	67.20	AK3000/13-5.0-PEBBLE GREY	53000130001D	50
14	72.20	AK3000/14-5.0-PEBBLE GREY	53000140001D	50
15	77.20	AK3000/15-5.0-PEBBLE GREY	53000150001D	50
16	82.20	AK3000/16-5.0-PEBBLE GREY	53000160001D	50
17	87.20	AK3000/17-5.0-PEBBLE GREY	53000170001D	50
18	92.20	AK3000/18-5.0-PEBBLE GREY	53000180001D	50
19	97.20	AK3000/19-5.0-PEBBLE GREY	53000190001D	50
20	102.20	AK3000/20-5.0-PEBBLE GREY	53000200001D	50
21	107.20	AK3000/21-5.0-PEBBLE GREY	53000210001D	50
22	112.20	AK3000/22-5.0-PEBBLE GREY	53000220001D	50
23	117.20	AK3000/23-5.0-PEBBLE GREY	53000230001D	50
24	122.20	AK3000/24-5.0-PEBBLE GREY	53000240001D	50

Accessories

Figure	Designation	Article Number
	Bridge, 2-pole, insulated, BRI/2-5.0/5.08-LIGHT GREY	50000000006
	Bridge, 3-pole, insulated, BRI/3-5.0/5.08-LIGHT GREY	50000000007
	Bridge, 2-pole, BR/2-5.0/5.08-L7.0	50000000008

Ratings



Usegroup	B	C	D		
Rated Voltage	300 V	-	300 V	250 V	
Rated Current	15 A	-	10 A	24 A	
Rated Wire Size	solid	AWG 28-14	-	min	max
	stranded	AWG 28-14	-	0.5 mm ²	2.5 mm ²
Test Voltage	1.6 kV	-	1.6 kV	2.0 kV	