

**1 310 nm AlGaInAs MQW-DFB LASER DIODE
FOR 10 Gb/s APPLICATION**

DESCRIPTION

The NX8341 Series is a 1 310 nm Multiple Quantum Well (MQW) structured Distributed Feed-Back (DFB) laser diode TOSA (transmitter optical subassembly) with InGaAs monitor PIN-PD in a receptacle type package designed for XENPAK/XPAK/X2/XFP transceiver.

APPLICATIONS

- 10 G BASE-LW/LR
- 10 G Fibre Channel

FEATURES

- Internal optical isolator
- Optical output power
- Low threshold current
- Wide operating temperature range
- InGaAs monitor PIN-PD

$$P_i = -2 \text{ dBm}$$

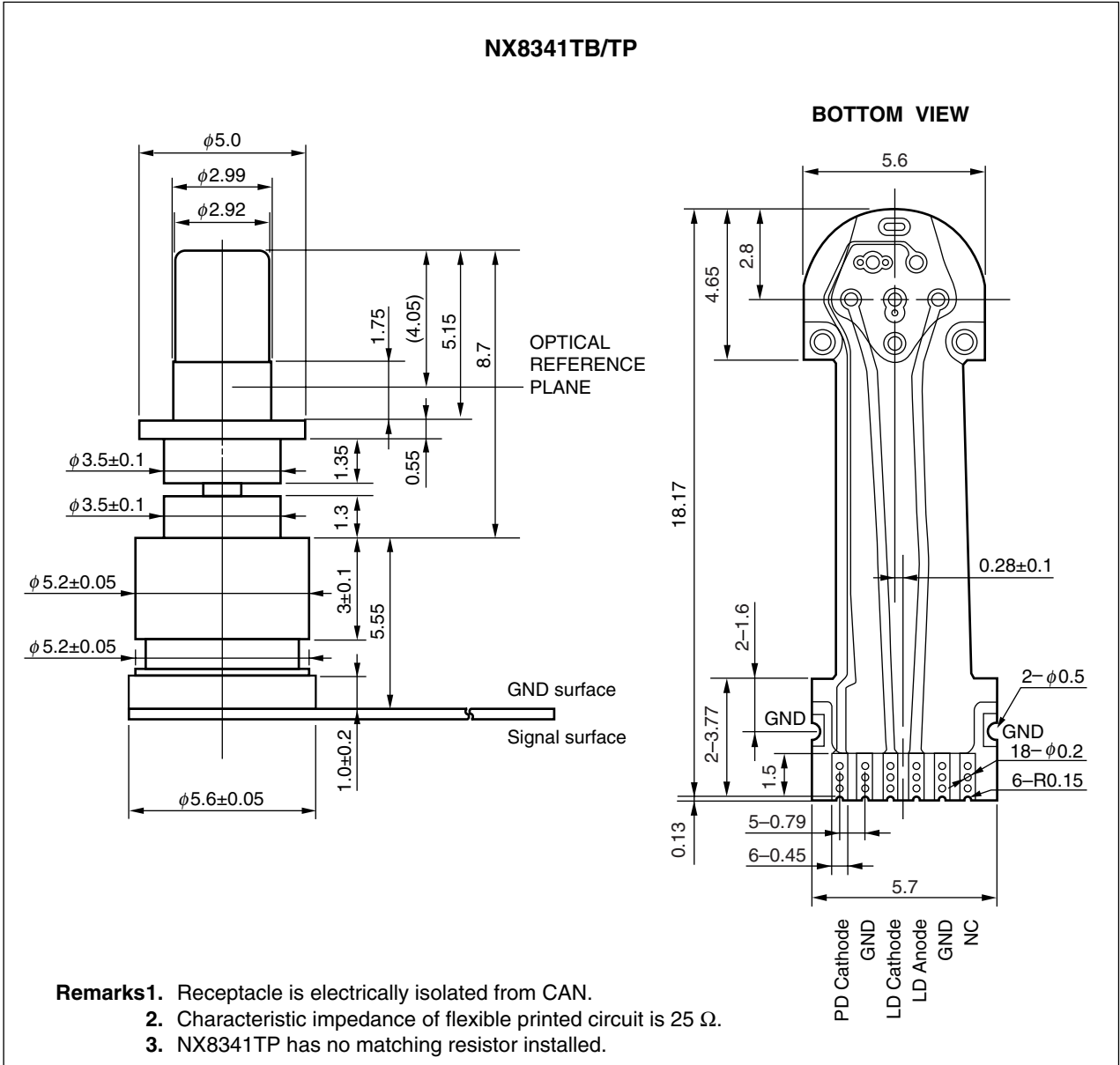
$$I_{th} = 8 \text{ mA TYP. @ } T_C = 25^\circ\text{C}$$

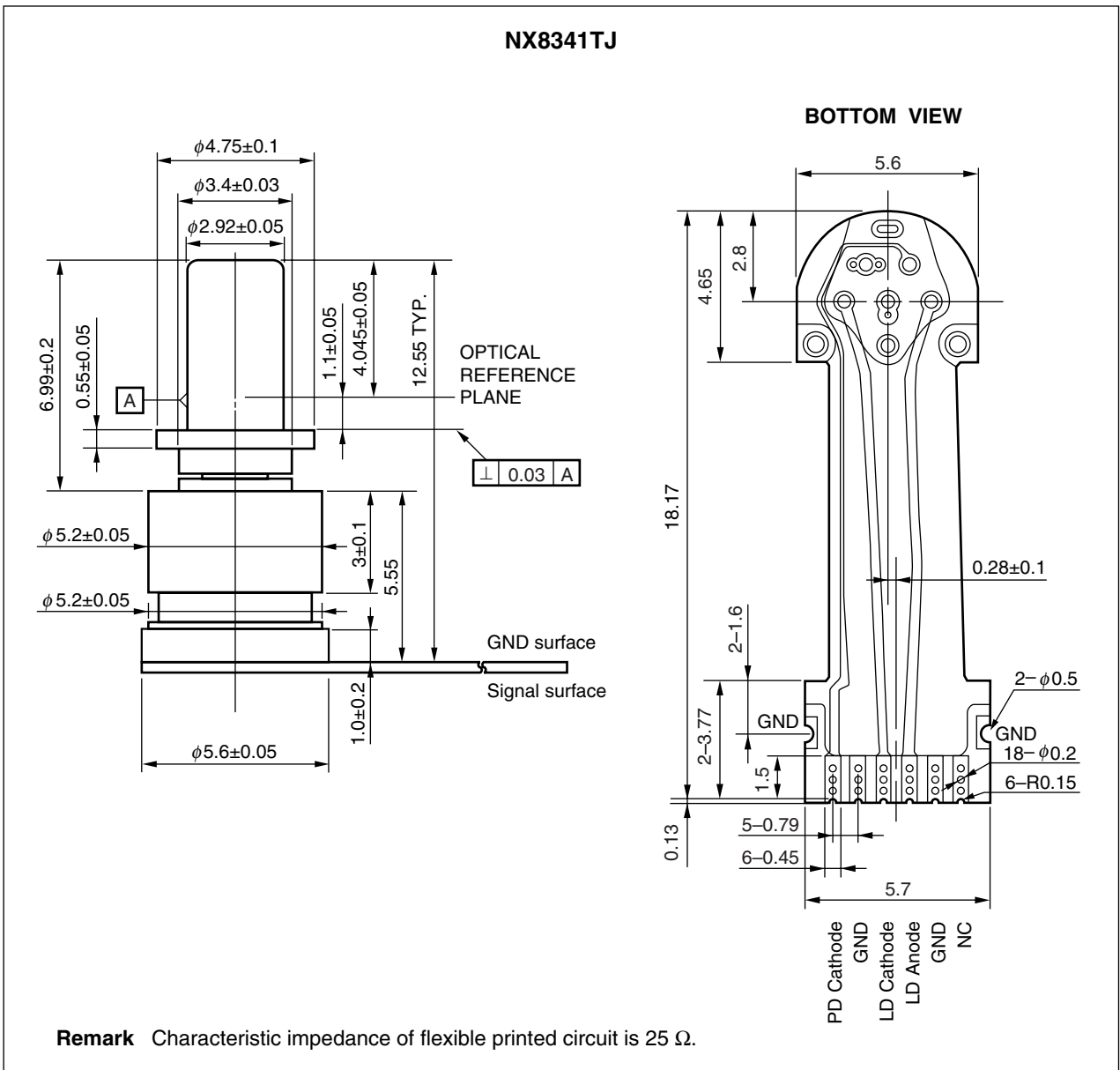
$$T_C = -5 \text{ to } +85^\circ\text{C}$$

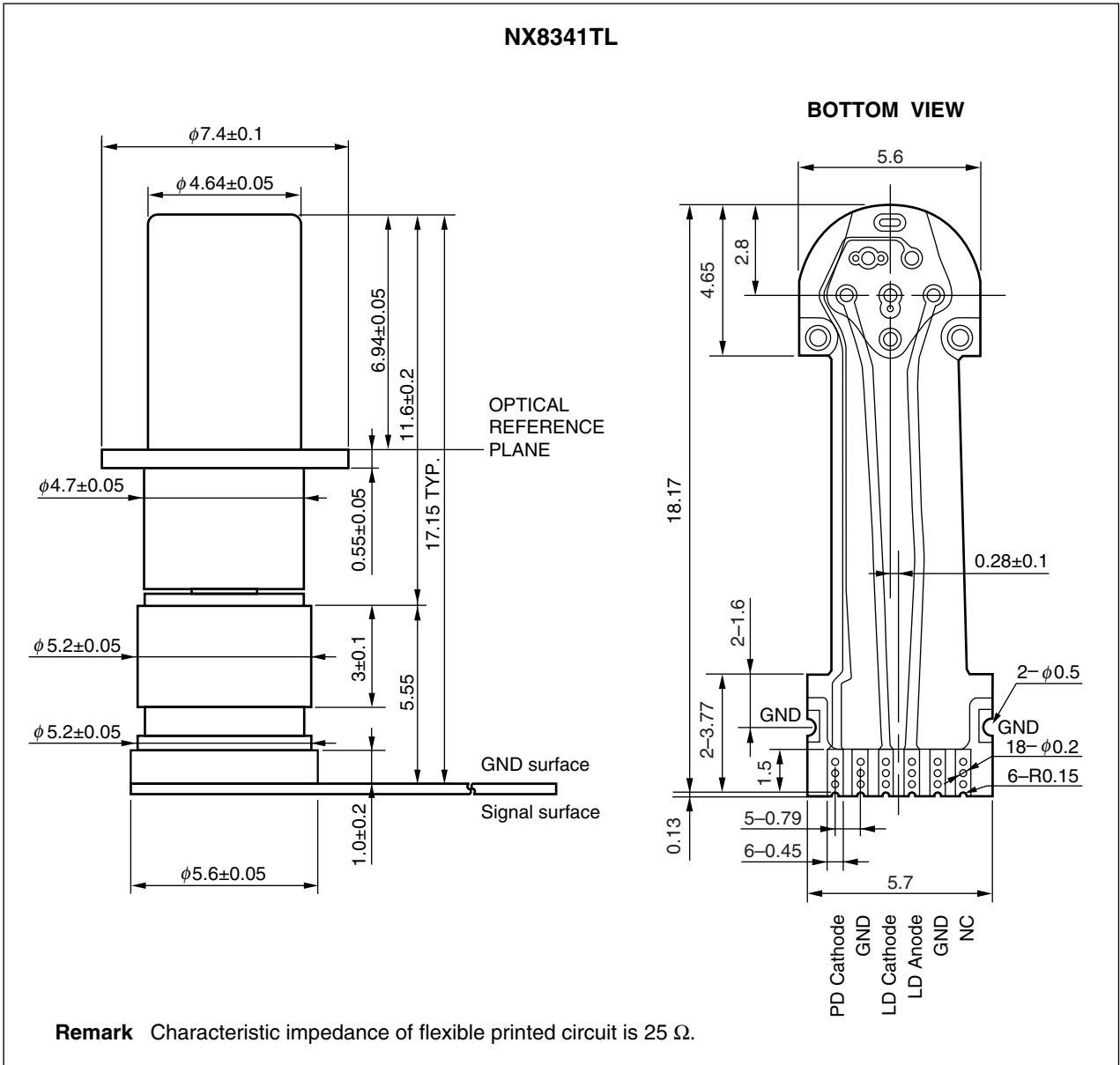


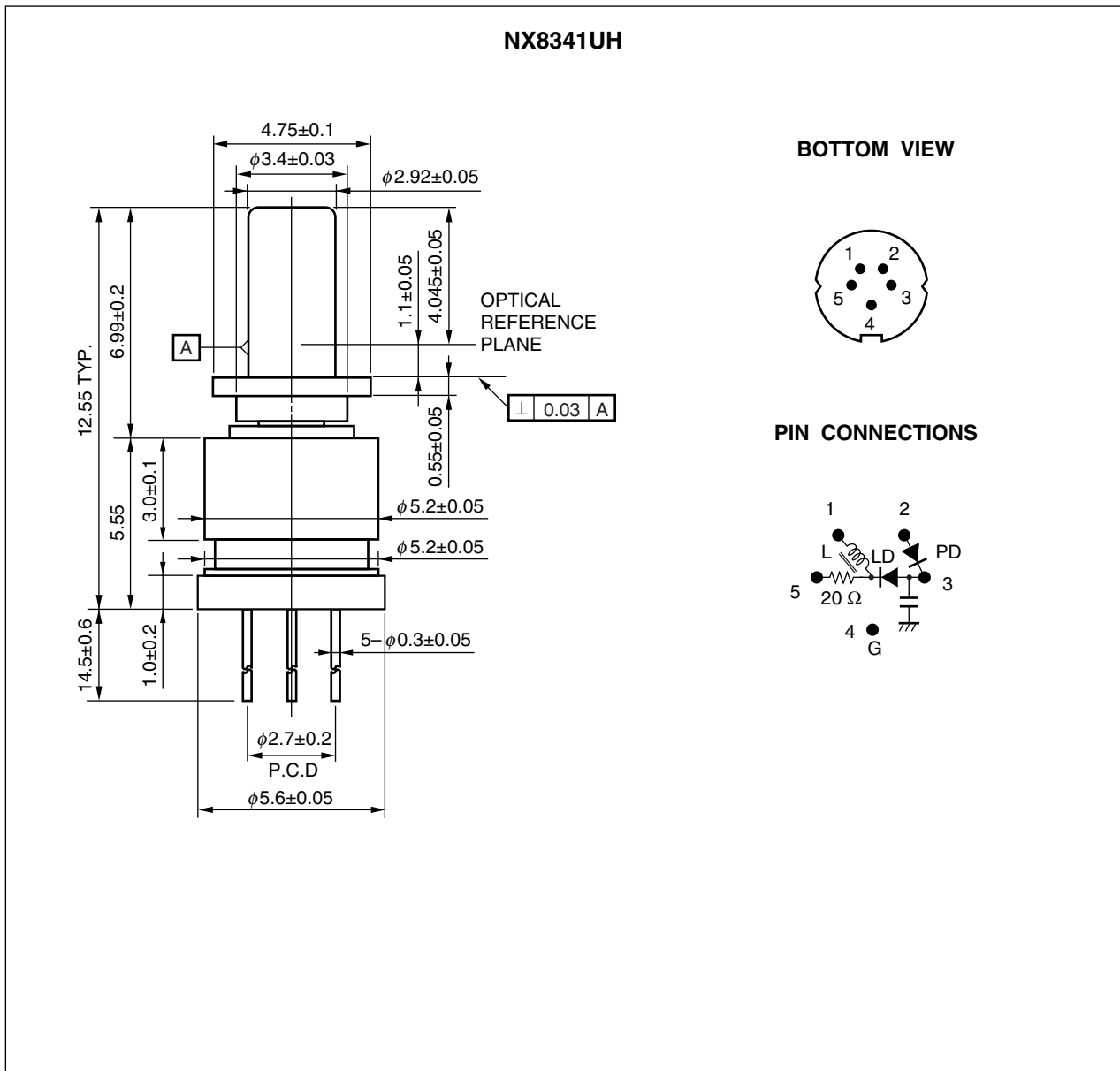
The information in this document is subject to change without notice. Before using this document, please confirm that this is the latest version.
Not all products and/or types are available in every country. Please check with an NEC Electronics sales representative for availability and additional information.

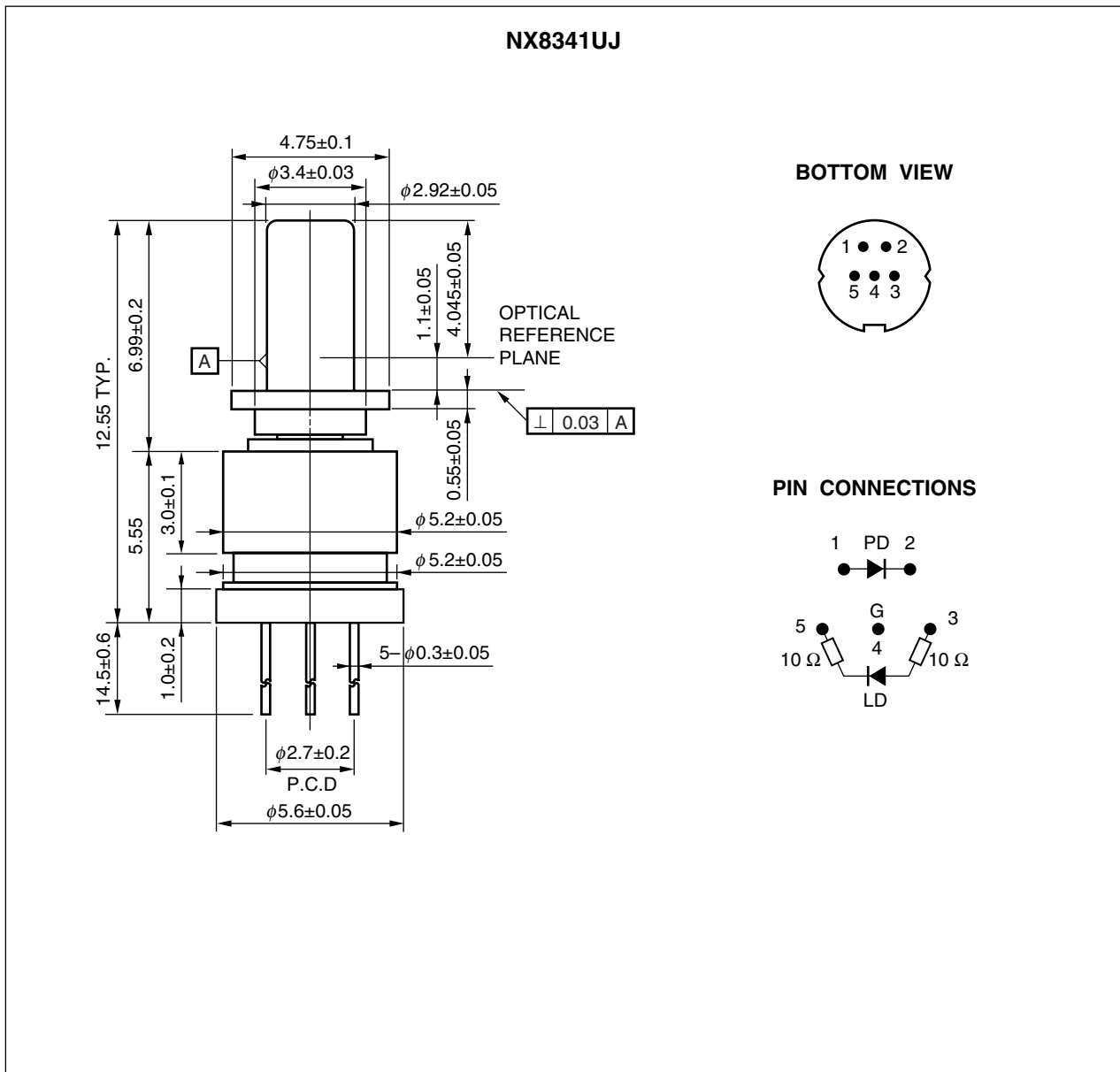
<R> PACKAGE DIMENSIONS (UNIT : mm)

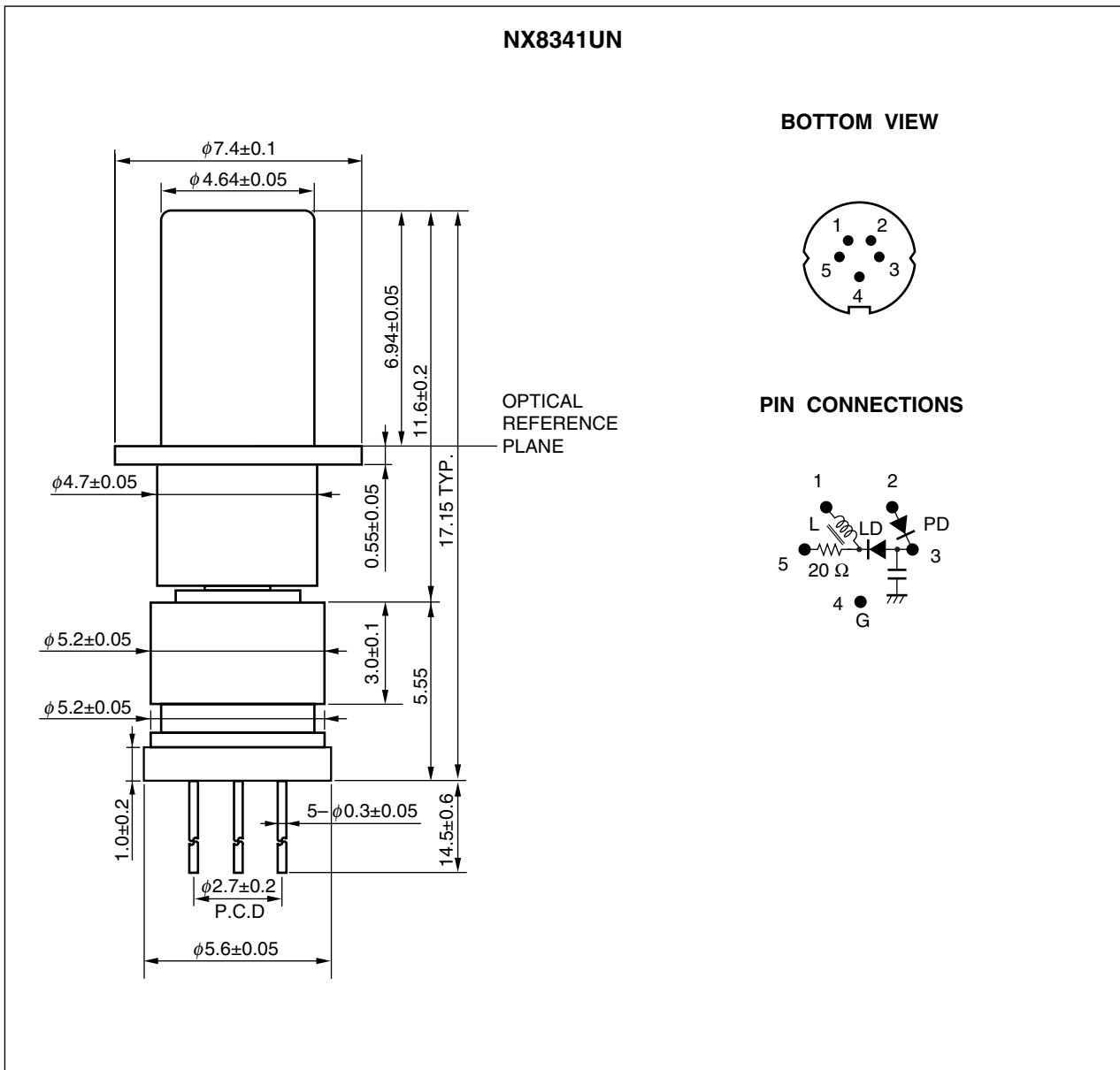












<R> **ORDERING INFORMATION**

Part Number	Receptacle Type	Note
NX8341TB	LC, Electrically isolated	Differential input with flexible PCB
NX8341TJ	LC	Differential input with flexible PCB
NX8341TL	SC	Differential input with flexible PCB
NX8341TP	LC, Electrically isolated	Differential input with flexible PCB, without matching resistor
NX8341UH	LC	Single-ended, 5-pin
NX8341UJ	LC	Differential input, 5-pin
NX8341UL	SC	Differential input, 5-pin
NX8341UN	SC	Single-ended, 5-pin

ABSOLUTE MAXIMUM RATINGS

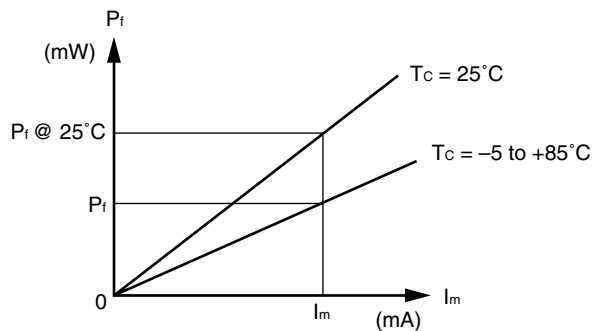
Parameter	Symbol	Ratings	Unit
Storage Temperature	T _{stg}	-40 to +85	°C
Operating Case Temperature	T _C	-5 to +85	°C
Forward Current of LD	I _{FLD}	120	mA
Reverse Voltage of LD	V _{RLD}	2	V
Forward Current of PD	I _{FPD}	10	mA
Reverse Voltage of PD	V _{RPD}	20	V
Lead Soldering Temperature	T _{slid}	350 (3.5 sec.)	°C
Optical Output Power	P _f	5	mW

ELECTRO-OPTICAL CHARACTERISTICS (Tc = -5 to +85°C, BOL, unless otherwise specified)

Parameter	Symbol	Conditions	MIN.	TYP.	MAX.	Unit
Mean Optical Output Power	P _r			-2		dBm
Peak Emission Wavelength	λ _p	CW, P _r = -2 dBm	1 290		1 330	nm
Side Mode Suppression Ratio	SMSR	CW, P _r = -2 dBm	30			dB
Threshold Current	I _{th}	CW, T _c = 25°C		8	20	mA
		CW	2		40	
Differential Efficiency	η _d	CW, P _r = -2 dBm, T _c = 25°C	0.02	0.025	0.04	W/A
		CW, P _r = -2 dBm	0.005		0.05	
Operation Voltage	V _{op}	CW, P _r = -2 dBm			2	V
Monitor Current	I _m	P _r = -2 dBm, V _R = 1.5 V	*1	90	700	μA
Monitor Dark Current	I _D	V _R = 1.5 V, T _c = 25°C			5	nA
		V _R = 1.5 V			50	
Rise Time	t _r	20-80%	*1	30	50	ps
Fall Time	t _f	20-80%	*1	40	50	ps
Extinction Ratio	Ex	10 GbE, 10 G FC	*1	4	5	dB
Tracking Error ²	γ		-1.0		1.0	dB
Input Impedance	Z _{in}			25		Ω
Connector Repeatability	CR	With master pigtail	-1.0		1.0	dB

*1 9.95/10.3/10.5 Gb/s, PRBS 2³¹-1, NRZ, Duty Cycle = 50%

*2 Tracking Error: γ



$$\gamma = \left| 10 \log \frac{P_r}{P_r @ 25^\circ\text{C}} \right| \text{ [dB]}$$

REFERENCE

Document Name	Document No.
Opto-Electronics Devices Pamphlet	PX10160E

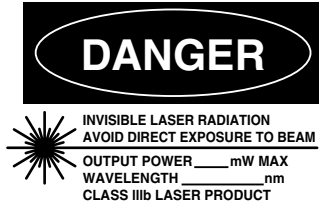
- **The information in this document is current as of November, 2007. The information is subject to change without notice. For actual design-in, refer to the latest publications of NEC Electronics data sheets or data books, etc., for the most up-to-date specifications of NEC Electronics products. Not all products and/or types are available in every country. Please check with an NEC Electronics sales representative for availability and additional information.**
- No part of this document may be copied or reproduced in any form or by any means without the prior written consent of NEC Electronics. NEC Electronics assumes no responsibility for any errors that may appear in this document.
- NEC Electronics does not assume any liability for infringement of patents, copyrights or other intellectual property rights of third parties by or arising from the use of NEC Electronics products listed in this document or any other liability arising from the use of such products. No license, express, implied or otherwise, is granted under any patents, copyrights or other intellectual property rights of NEC Electronics or others.
- Descriptions of circuits, software and other related information in this document are provided for illustrative purposes in semiconductor product operation and application examples. The incorporation of these circuits, software and information in the design of a customer's equipment shall be done under the full responsibility of the customer. NEC Electronics assumes no responsibility for any losses incurred by customers or third parties arising from the use of these circuits, software and information.
- While NEC Electronics endeavors to enhance the quality, reliability and safety of NEC Electronics products, customers agree and acknowledge that the possibility of defects thereof cannot be eliminated entirely. To minimize risks of damage to property or injury (including death) to persons arising from defects in NEC Electronics products, customers must incorporate sufficient safety measures in their design, such as redundancy, fire-containment and anti-failure features.
- NEC Electronics products are classified into the following three quality grades: "Standard", "Special" and "Specific".
 The "Specific" quality grade applies only to NEC Electronics products developed based on a customer-designated "quality assurance program" for a specific application. The recommended applications of an NEC Electronics product depend on its quality grade, as indicated below. Customers must check the quality grade of each NEC Electronics product before using it in a particular application.
 "Standard": Computers, office equipment, communications equipment, test and measurement equipment, audio and visual equipment, home electronic appliances, machine tools, personal electronic equipment and industrial robots.
 "Special": Transportation equipment (automobiles, trains, ships, etc.), traffic control systems, anti-disaster systems, anti-crime systems, safety equipment and medical equipment (not specifically designed for life support).
 "Specific": Aircraft, aerospace equipment, submersible repeaters, nuclear reactor control systems, life support systems and medical equipment for life support, etc.

The quality grade of NEC Electronics products is "Standard" unless otherwise expressly specified in NEC Electronics data sheets or data books, etc. If customers wish to use NEC Electronics products in applications not intended by NEC Electronics, they must contact an NEC Electronics sales representative in advance to determine NEC Electronics' willingness to support a given application.

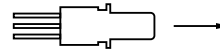
(Note)

- (1) "NEC Electronics" as used in this statement means NEC Electronics Corporation and also includes its majority-owned subsidiaries.
- (2) "NEC Electronics products" means any product developed or manufactured by or for NEC Electronics (as defined above).

SAFETY INFORMATION ON THIS PRODUCT



SEMICONDUCTOR LASER



AVOID EXPOSURE-Invisible
Laser Radiation is emitted from
this aperture

<p>Warning Laser Beam</p>	<p>A laser beam is emitted from this diode during operation. The laser beam, visible or invisible, directly or indirectly, may cause injury to the eye or loss of eyesight.</p> <ul style="list-style-type: none"> • Do not look directly into the laser beam. • Avoid exposure to the laser beam, any reflected or collimated beam.
<p>Caution GaAs Products</p>	<p>This product uses gallium arsenide (GaAs). GaAs vapor and powder are hazardous to human health if inhaled or ingested, so please observe the following points.</p> <ul style="list-style-type: none"> • Follow related laws and ordinances when disposing of the product. If there are no applicable laws and/or ordinances, dispose of the product as recommended below. <ol style="list-style-type: none"> 1. Commission a disposal company able to (with a license to) collect, transport and dispose of materials that contain arsenic and other such industrial waste materials. 2. Exclude the product from general industrial waste and household garbage, and ensure that the product is controlled (as industrial waste subject to special control) up until final disposal. • Do not burn, destroy, cut, crush, or chemically dissolve the product. • Do not lick the product or in any way allow it to enter the mouth.
<p>Caution Optical Fiber</p>	<p>A glass-fiber is attached on the product. Handle with care.</p> <ul style="list-style-type: none"> • When the fiber is broken or damaged, handle carefully to avoid injury from the damaged part or fragments.