

PLEASE CHECK WWW.MOLEX.COM FOR LATEST PART INFORMATION

Part Number: [0734043000](#)
Status: **Active**
Overview: [SMB RF Connectors](#)
Description: 75 Ohms, SMB Plug, Right-Angle, Crimp, RG-179 Cable, One Piece Per Bag

Documents:

[3D Model](#) [Drawing \(PDF\)](#)
[3D Model \(PDF\)](#) [RoHS Certificate of Compliance \(PDF\)](#)

General

Product Family [RF/Coax Connectors](#)
 Series [73404](#)
 Overview [SMB RF Connectors](#)
 Product Name [SMB](#)
 Style [Cable](#)
 Type [Subminiature](#)
 UPC [884982691520](#)
 Wire/Cable Type [RG-179](#)

Physical

Gender [Plug](#)
 Keying to Mating Part [None](#)
 Net Weight [3.600/g](#)
 Orientation [Right Angle](#)
 PCB Mounting [N/A](#)
 Packaging Type [Bag](#)
 Panel Mount [No](#)
 Panel Mount Method [N/A](#)
 Reverse Polar [No](#)

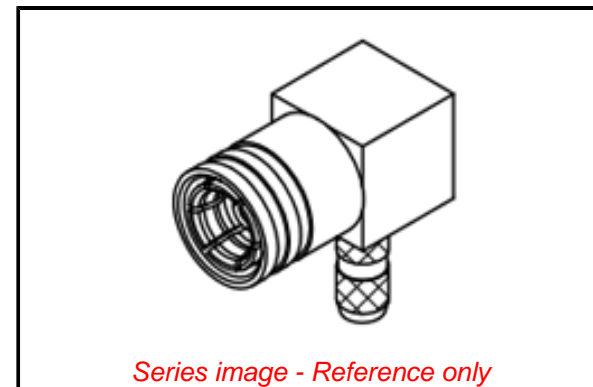
Electrical

Frequency [4 GHz](#)
 Impedance [75Ω](#)
 Power / Voltage [VOLTAGE: 335 Vrms@Sea Level](#)

Material Info

Reference - Drawing Numbers

Sales Drawing [SD-73100-0256-001, SD-73404-300-001](#)



Series image - Reference only

EU ELV

Not Relevant

EU RoHS

Not Relevant

REACH SVHC

Not Relevant

Halogen-Free

Status

Not Relevant

For more information, please visit [Contact US](#)

China ROHS

Not Relevant

ELV

Not Relevant

RoHS Phthalates

Not Relevant

Search Parts in this Series

[73404 Series](#)

Mouser Electronics

Authorized Distributor

Click to View Pricing, Inventory, Delivery & Lifecycle Information:

[Molex:](#)

[73404-3000](#)