

THIS DRAWING IS UNPUBLISHED. RELEASED FOR PUBLICATION .19
 © COPYRIGHT 19 BY AMP INCORPORATED. ALL RIGHTS RESERVED.

LOC	DIST	REVISIONS					
		P	LTR	DESCRIPTION	DATE	DWN	APVD
DY	-	A		NPR PER ECR-08-014305	22JUL2008	SYJ	LSF

NOTES:
 1 MATERIAL: HOUSING: L.C.P. (HIGH TEMP THERMO-PLASTIC)
 UL 94V-0, NATURAL.
 CONTACT: COPPER ALLOY
 PCB : FR4; DOUBLED-SIDED WITH COPPER PADS
 SOLDERPASTE: LEADFREE

2 FINISH:
 FOR CONNECTOR:
 ENGAGEMENT AREA: 0.00076 MIN GOLD
 SOLDERED AREA: 0.002 MIN MATTE TIN
 UNDERCOAT: 0.0013 MIN NICKEL ALL OVER.

FOR PCB:
 SURFACE FINISH: OSP

3. SEE SERIES TABLE FOR PART NUMBERS

4. MATED CONNECTORS STACKED HEIGHT IS COMBINATION OF INTERPOSER HEIGHT "Z" AND PLUGS HEIGHTS "Y1" AND "Y2", LESS 10.0 mm.

STACKED HEIGHT = Z + Y1 + Y2 - 10

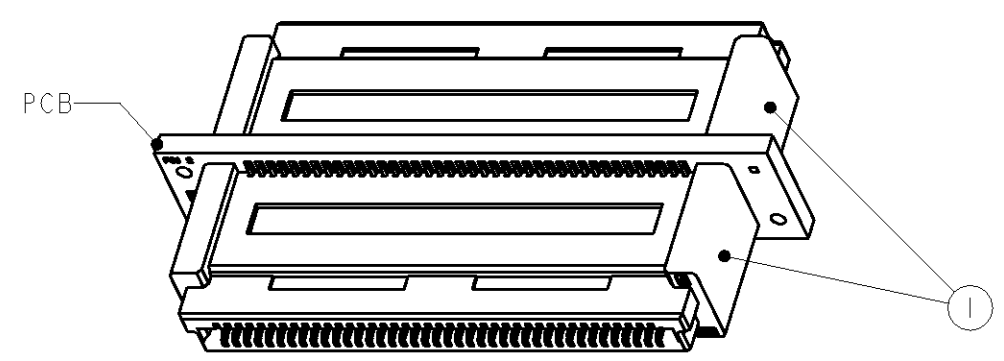
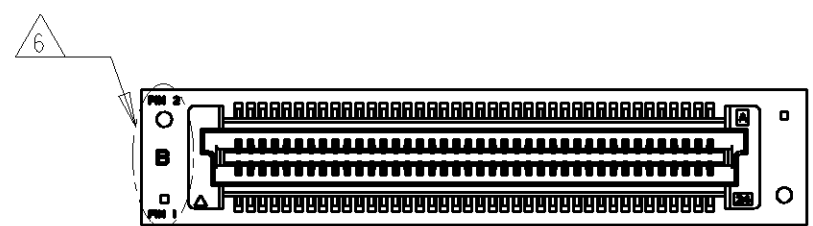
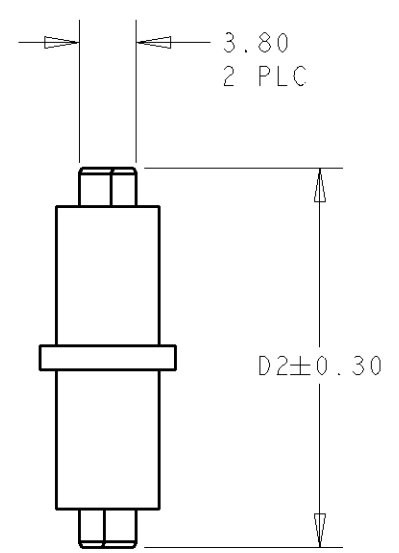
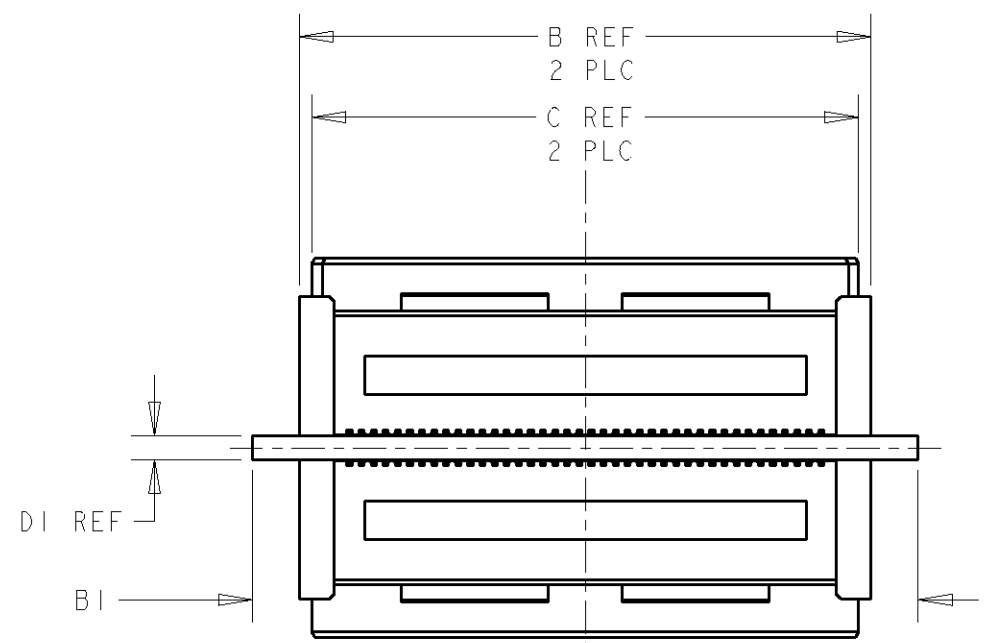
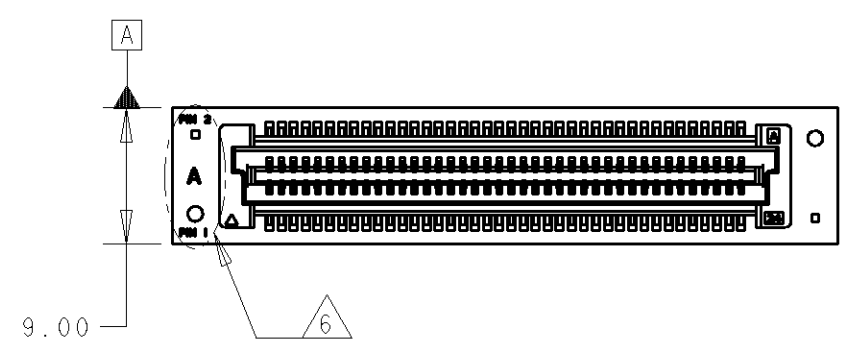
5. PACKAGED IN SOFT TRAYS.

6 MARKERS FOR SIDE, PIN 1 AND PIN 2.
 SIDE A PIN X IS CONNECTED TO SIDE B PIN X+1, WHERE X = ODD NUMBER.
 SIDE A PIN Y IS CONNECTED TO SIDE B PIN Y-1, WHERE Y = EVEN NUMBER.

E.G.:

SIDE	PIN	LINK	SIDE	PIN
A	1	<-->	B	2
A	2	<-->	B	1
A	3	<-->	B	4
A	4	<-->	B	3
A	5	<-->	B	6

25.10	1.6	36.15	44.00	37.80	80	13H	5-6123212-3	27.6H	-3
D2	DI	C	BI	B	POS.	HEIGHT TYPE, X	CONN. P/N ①	HEIGHT TYPE, Z	PART NO.
							CONNECTORS (RECEPTACLES)	INTERPOSER	



SCALE 2:1

THIS DRAWING IS A CONTROLLED DOCUMENT FOR AMP INCORPORATED. IT IS SUBJECT TO CHANGE AND THE CONTROLLING ENGINEERING ORGANIZATION SHOULD BE CONTACTED FOR THE LATEST REVISION.		DWN	03APR2008	Tyco Electronics Singapore
DIMENSIONS: mm		CHK	03APR2008	
		APVD	03APR2008	
TOLERANCES UNLESS OTHERWISE SPECIFIED:		PRODUCT SPEC	-	NAME
0 PLC	±	APPLICATION SPEC	-	PCBA, INTERPOSER (PLUG-PLUG), FREE HEIGHT 0.8mm, LF
1 PLC	±0.3	WEIGHT	-	SIZE
2 PLC	±0.25	CUSTOMER DRAWING	-	A3
3 PLC	±0.200	SCALE	2:1	CAGE CODE
4 PLC	±	SHEET	1	00779
ANGLES	±3°	OF	1	DRAWING NO
FINISH	②	REV	A	①-1735688