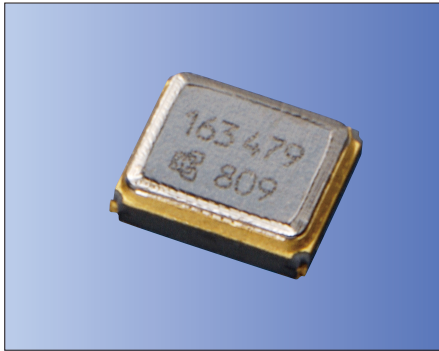


Temperature Compensated Crystal Oscillators (TCXO) Surface Mount Type TCXO (LSI Type) KT2016 Series for GPS



2.0×1.6mm



RoHS Compliant

Features

- Ultra-miniature SMD type (2.0×1.6×0.8mm)
- Freq. temp. chrst. : $\pm 0.5 \times 10^{-6} / -30$ to $+85^\circ\text{C}$
- 1.7 to 3.6V drive available
- Reflow compatible
- Disable Function (Option)

Applications

- GPS Unit

How to Order

KT2016A 27456 A C W 28 T xx
① ② ③ ④ ⑤ ⑥ ⑦ ⑧

① Series	⑥ Supply Voltage
② Output Frequency	⑦ Voltage Control Range
③ Freq. Temp. Chrst.	⑧ Option Code
A $\pm 0.5 \times 10^{-6}$	18 1.8V 28 2.8V
C -30°C	T TCXO
E -20°C	
G -10°C	
⑤ Upper Operating Temp.	
W $+85^\circ\text{C}$	
V $+80^\circ\text{C}$	
U $+75^\circ\text{C}$	

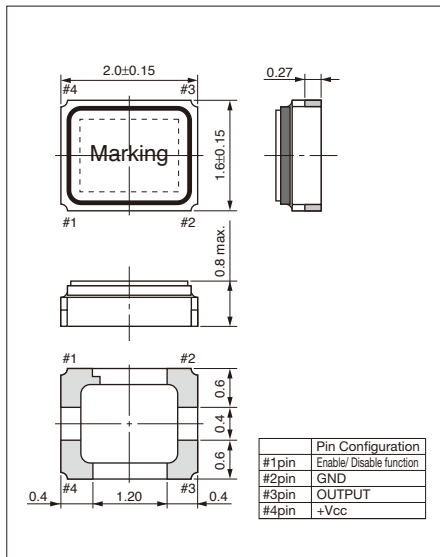
Packaging (Tape & Reel 4000 pcs./ reel)

Specifications

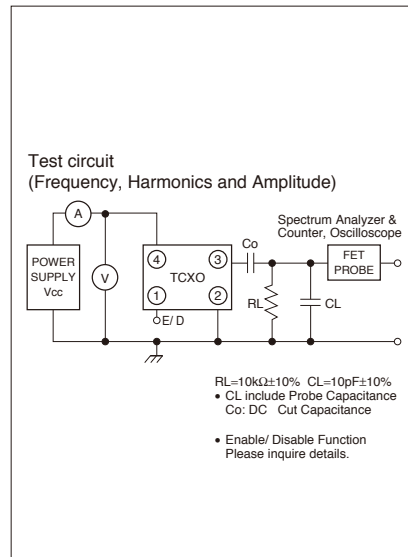
Item	Symbol	Conditions	Min.	Max.	Units
Output Frequency Range	fo	Standard Frequency: 16.368, 16.369, 19.2, 26, 27.456, 33.6	—	—	MHz
Frequency Tolerance	f _{tol}	vs Temperature	-0.5	+0.5	$\times 10^{-6}$
		vs Load	-0.1	+0.1	
		vs Voltage	-0.2	+0.2	
Frequency Aging	f _{age}	Per Year	-1	+1	$\times 10^{-6}$
Storage Temperature Range	T _{stg}		-40	+85	$^\circ\text{C}$
Operating Temperature Range	T _{use}		-30	+85	$^\circ\text{C}$
Supply Voltage	V _{CC}		1.7	3.6	V
Output Level	V _{pp}	10k ohm // 10pF	0.8	—	Vp-p
Current Consumption	I _{CC}		—	2	mA
Harmonics	—		—	-5	dBc

Dimensions

(Unit: mm)



Test Circuit



Recommended Land Pattern

(Unit: mm)

