

# PRODUCT DATA DRAWING

CAD GENERATED DRAWING	DCN CONTROLLED DOCUMENT	DWG. NO. <b>SF 1187-6004</b>
-----------------------------	-------------------------------	---------------------------------

### MATERIAL:

BODIES,  
COUPLING NUT &  
RING: STAINLESS STEEL PER AMS-5640,  
UNS S30300, TYPE I

CONTACTS &  
LOCK RING: BERYLLIUM COPPER PER ASTM-B-196,  
ALLOY C17300, COND. T004

INSULATOR: TEFLON PER ASTM-D-1457

BEAD: REXOLITE PER LP-516, TYPE E2

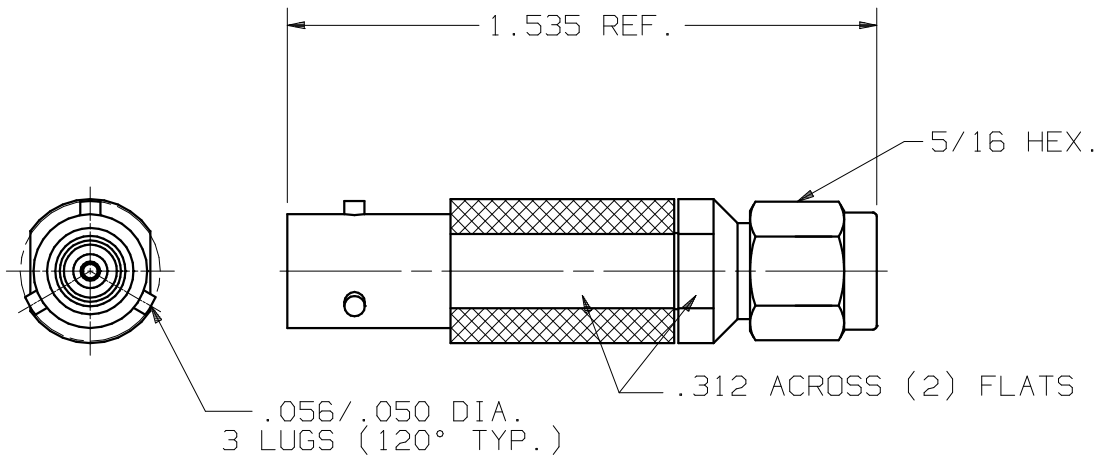
### FINISH:

BODIES &  
COUPLING NUT: PASSIVATED PER QQ-P-35, TYPE II.

CONTACTS &  
RING: GOLD PER MIL-G-45204, TYPE I,  
GRADE C, CLASS 00; OVER NICKEL  
PER QQ-N-290, CLASS 1

### PERFORMANCE:

IMPEDANCE: 50 OHMS  
FREQ. RANGE: DC-12.4 GHz



SYM.	DESCRIPTION	DATE	APPR.	UNLESS OTHERWISE SPECIFIED: 1) ALL DIMENSIONS ARE AFTER PLATING. 2) BREAK CORNERS & EDGES .005 R. MAX. 3) CHAM. 1s† & LAST THDS. 4) SURFACE ROUGHNESS 63 J MIL-STD-10. 5) DIAS. ON COMMON CENTERS TO BE CONCENTRIC WITHIN .005 T.I.R. 6) REMOVE ALL BURRS.	DIMENSIONS ARE IN INCHES TOLERANCES:			<i>SV Microwave, Inc.</i> 2400 Centrepark West Drive, Suite 100 West Palm Beach, FL 33409
-	REL. DCN 27921	01/02	STW		DECIMALS .X ±.030 .XX ±.015 .XXX ±.005	FRACTIONAL ±1/64	ANGULAR X° ±1°0' X°X' ±15'	
				DRAWN: MEB 1/17/02	MATERIAL: SEE ABOVE			DWG. NO. <b>SF 1187-6004</b>
				CHECKED: STW 1/17/02	FINISH: SEE ABOVE	AREA: N/A	SCALE	
				APPROVED: STW 1/17/02	SIZE	CAGE NO.	SCALE	
					A	95077	N/A	