

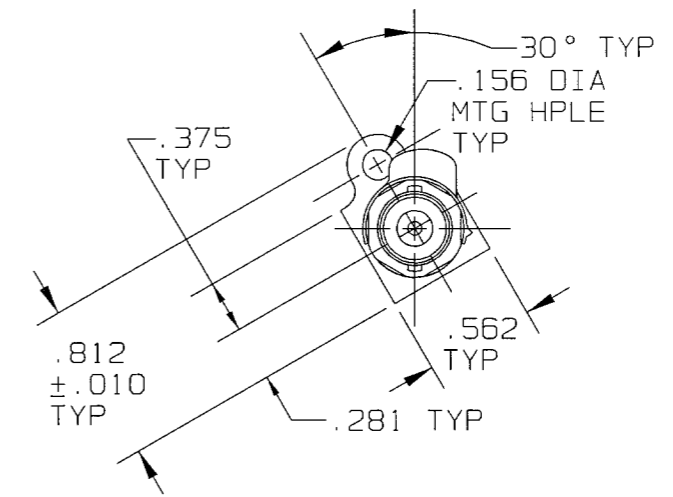
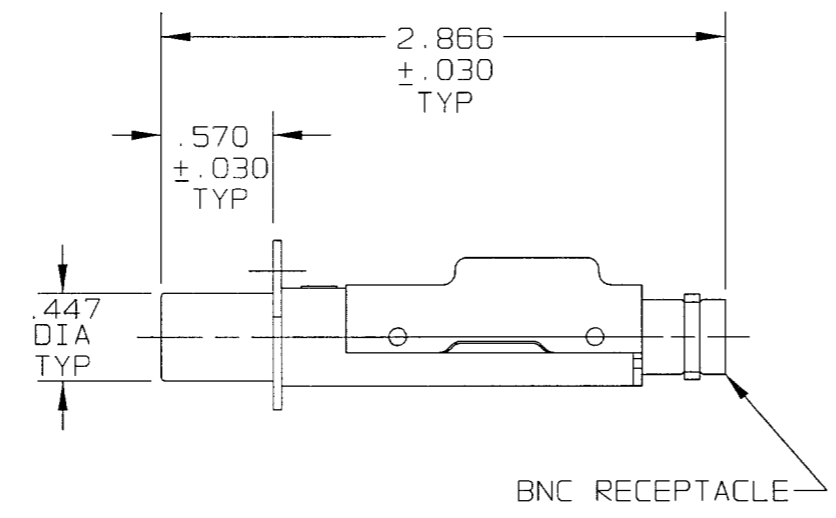
DATA CONTAINED IN THIS DOCUMENT IS PROPRIETARY TO TROMPETER ELECTRONICS INC. AND SHALL NOT BE DISCLOSED, COPIED OR USED FOR PROCUREMENT OR MANUFACTURE WITHOUT EXPRESS WRITTEN PERMISSION OF TROMPETER ELECTRONICS INC.

REVISIONS

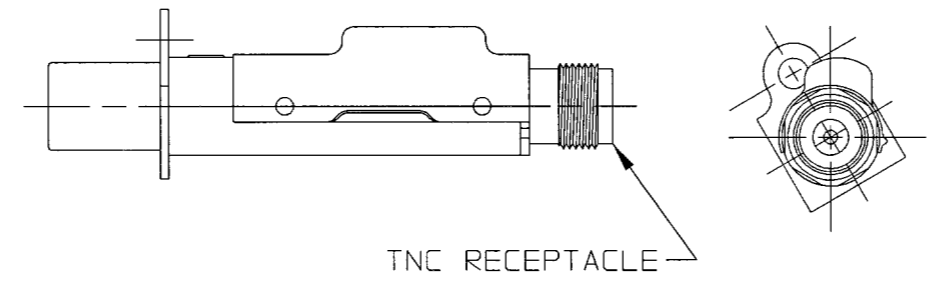
REV	DESCRIPTION	DATE	APPROVED
V	REVISED PER ECO 14114	6-21-01	

RED INDICATES ORIGINAL

DASH NO	MODEL NO	ACCEPTS PIN DIA	RECEPTACLE TYPE
-1	J13-	.070 (RCA)	BNC
-2	J13W-	.090 (W.E.CO.)	
-3	J13H-	.070 (RCA)	TNC
-4	J13WH-	.090 (W.E.CO.)	

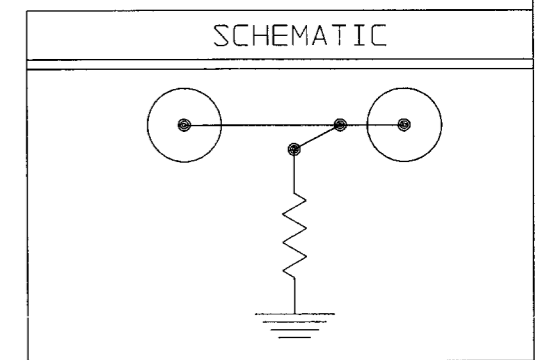


-1 & -2 SHOWN



-3 & -4 SHOWN

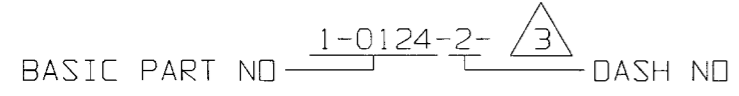
INCH	MM
.005	0.13
.010	0.25
.030	0.76
.070	1.78
.090	2.29
.156	3.96
.281	7.14
.375	9.52
.447	11.35
.562	14.27
.570	14.48
.812	20.62
2.866	72.80



6. EXAMPLE OF COMPLETE MODEL NO:



5. EXAMPLE OF COMPLETE PART NO:



4. 50 & 75 OHM SELF-TERMINATING COAXIAL PATCH JACK WITH BNC OR TNC RECEPTACLE

RESISTANCE VALUE IN OHMS (1/2 W, 1%)

2. FINISH: TFS-1A (NICKEL)

1. ALL DIM ARE IN INCHES

INTERPRET DRAWING PER MIL-STD-100 DIMENSIONS ARE IN INCHES AND INCLUDE FINISH THICKNESS UNLESS OTHERWISE SPECIFIED		TOL: UNLESS SPECIFIED .XX .XXX .005 .XXXX ANGLES 5°	
DRAWN AAH	DATE 6-19-01	MATERIAL:	
CHECKED 	6-21-01	FINISH:	
APPROVED 	6-21-01	DO NOT SCALE DWG	
155-0573	CAD FILE NO. 1-0124V1	SCALE 1/1	
155-0570	NEXT ASSY	DATE: 10/19/67	

TROMPETER
ELECTRONICS, INC.

TITLE: J13/J13W/J13H/J13WH

SIZE	CAGE CODE	DRAWING NO.	REV.
B	14949	1-0124	V
SCALE	DATE:	SHEET	
1/1	10/19/67	1C	