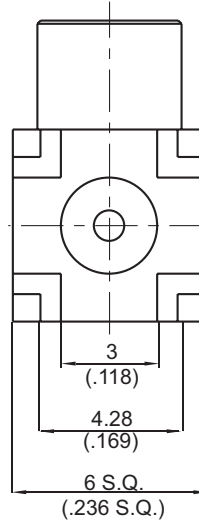
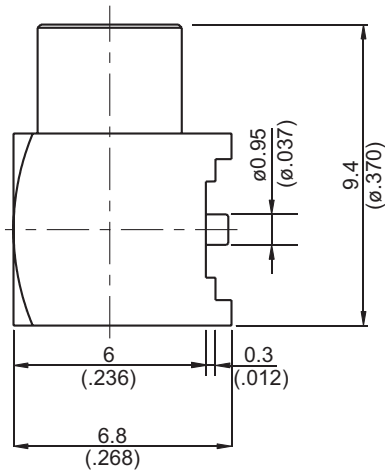
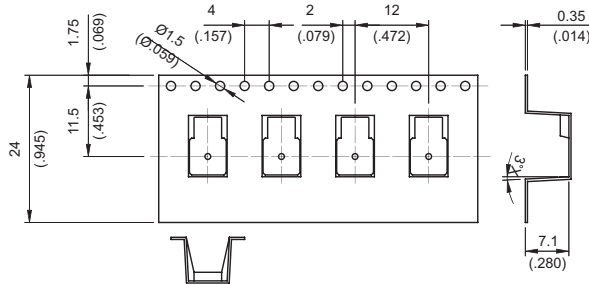


MCX8410-9000

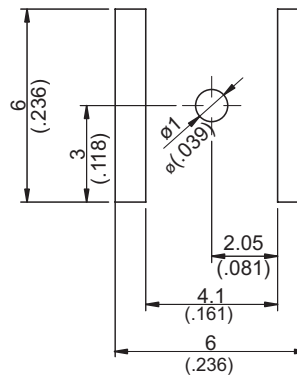
MCX Jack P.C.B. Surface Mount Right Angle 50Ω



PACKAGING



MOUNTING HOLE :



Parts	Material	Plating (Micro-inch)
Cover	Brass	Gold 5 Over Nickel 50 Over Copper 50
Insulator	Teflon	
Contact Pin	Phosphor Bronze	Gold 20 Over Nickel 50 Over Copper 50
Housing	Brass	Gold 5 Over Nickel 50 Over Copper 50
Body	Brass	Gold 5 Over Nickel 50 Over Copper 50

Weight: 1.58 g

This part number complies with RoHS.

Notice: JYEBAO reserves the right to make modifications deemed appropriate.