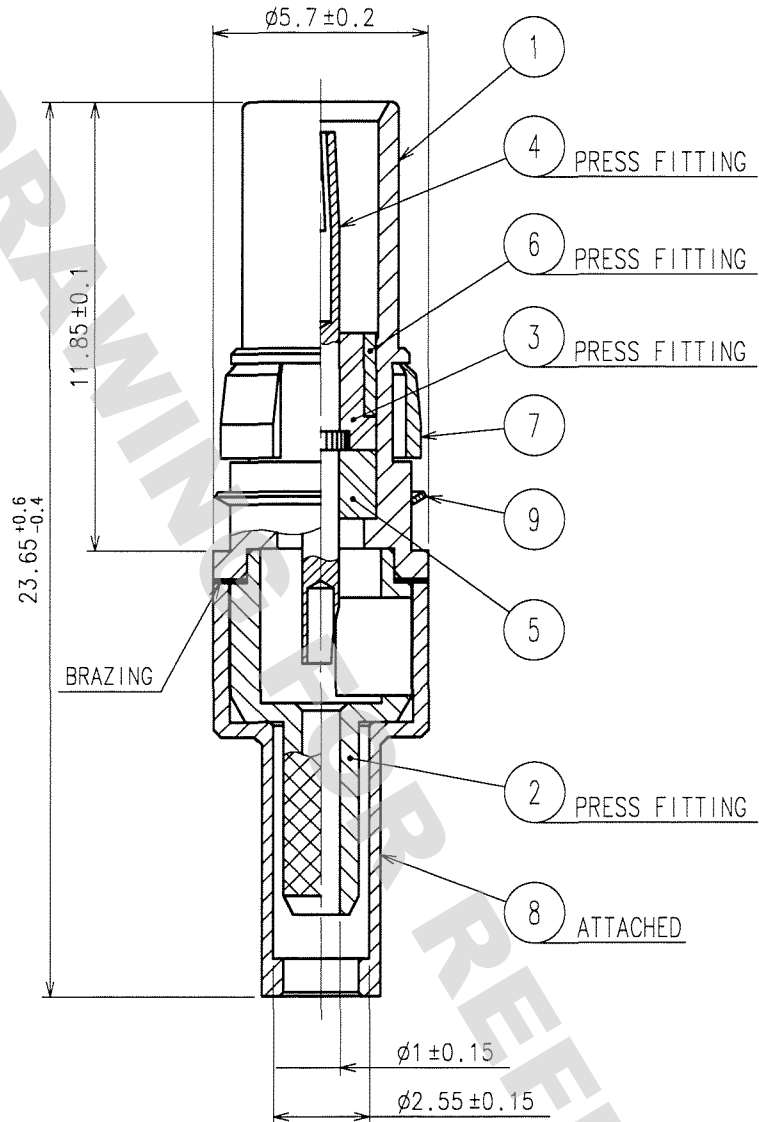


DRAWING FOR REFERENCE: This is subject to change without notice  
08/11/2012

1		2			3			4		
COUNT	DESCRIPTION OF REVISIONS	BY	CHKD	DATE	COUNT	DESCRIPTION OF REVISIONS	BY	CHKD	DATE	
△				..	△				..	
△					△				..	
△					△				..	

APPLICABLE OUTER CONDUCTOR CRIMPING TOOL : P051-T-2



5	PTFE		9	PHOSPHOR BRONZE	GOLD PLATING
4	BERYLLIUM COPPER	GOLD PLATING	8	BRASS	GOLD PLATING
3	PTFE		7	BERYLLIUM COPPER	NICKEL PLATING
2	BRASS	GOLD PLATING	6	BRASS	GOLD PLATING
1	BRASS	GOLD PLATING			
NO.	MATERIAL	FINISH, REMARKS	NO.	MATERIAL	FINISH, REMARKS

CODE NO. (OLD) CL		DRAWN	DESIGNED	CHECKED	APPROVED	RELEASED
RoHS COMPLIANT		<i>Y. Sugiyama</i>	<i>T. Katayama</i>	<i>K. Shinjima</i>	<i>M. Mitani</i>	
		06.03.15	06.03.15	06.03.15	06.03.15	
DRAWING NO. EDC4-047552-40			PART NO. P051-J-178(40)			
CODE NO. <b>HRS</b> HIROSE ELECTRIC CO., LTD.			CODE NO. CL330-0024-5-40			
UNITS mm			1/1			

TO
RF