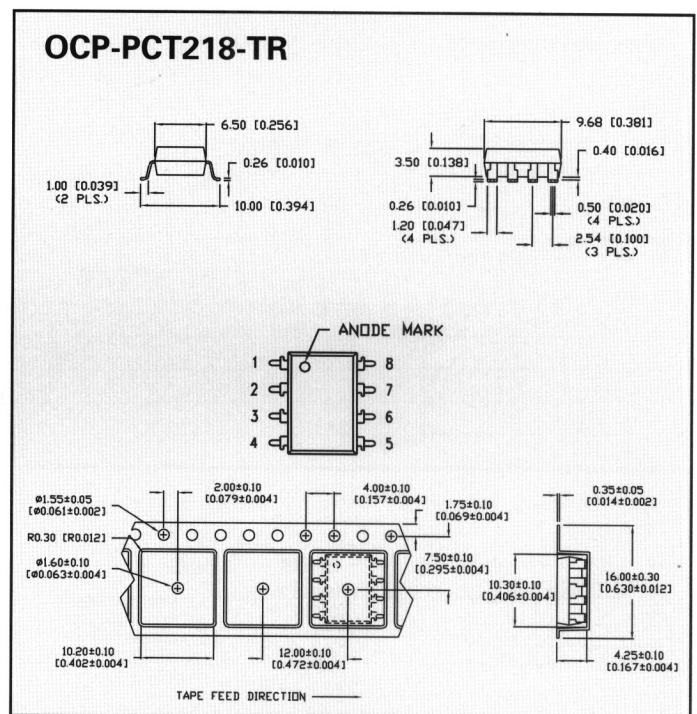
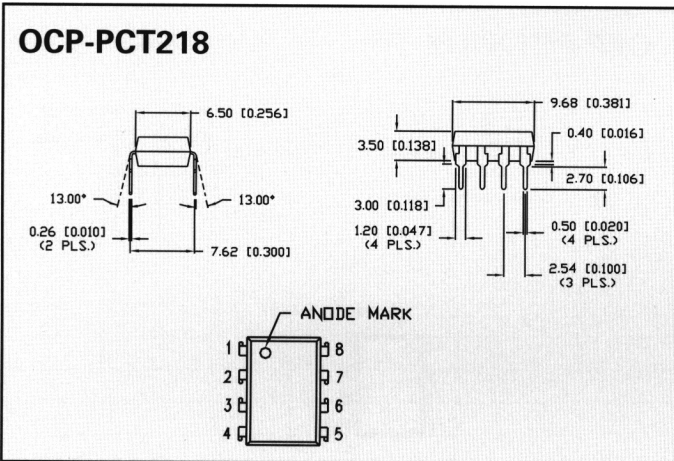
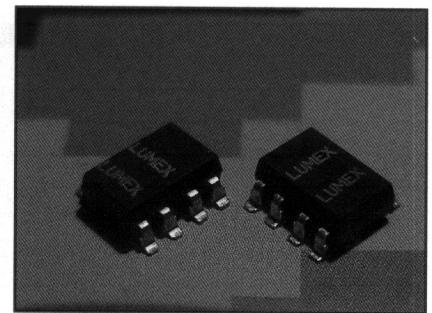
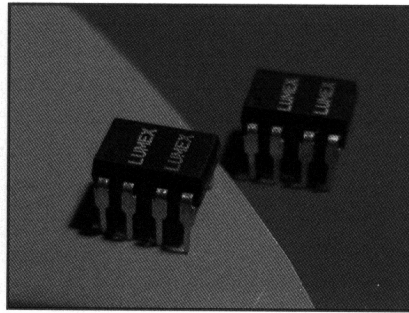


OCP-PCT218 Package

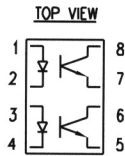
Applications

- Modems
- Building Automation
- SMPS
- Medical Equipment



PART NUMBER TABLE

PART= /X	CTR (%)
/A	60 TO 160
/B	130 TO 260
/C	200 TO 400
/D	300 TO 600
/E	60 TO 600



- NOTES:**
- 1,3. ANODE
 - 2,4. CATHODE
 - 5,7. EMITTER
 - 6,8. COLLECTOR

ELECTRO-OPTICAL CHARACTERISTICS (To=25°C)

PARAMETER	SYMBOL	CONDITIONS	MIN	TYP	MAX	UNITS
I FORWARD VOLTAGE	V _f	I _f =20mA	-	1.2	1.4	V
PEAK FORWARD VOLTAGE	V _{FM}	I _{FM} =0.5A	-	-	3.5	V
REVERSE CURRENT	I _r	V _r =4V	-	-	10	μA
TERMINAL CAPACITANCE	C _t	V=0, f=1kHz	-	30	-	pF
O COLLECTOR DARK CURRENT	I _{CEO}	V _{CE} =20V	-	-	10 ⁻⁷	A
T CURRENT TRANSFER RATIO	CRT	I _f =2mA, V _{CE} =5V	60	-	600	%
COLLECTOR-EMITTER SATURATION VOLTAGE	V _{CE(sat)}	I _f =20mA, I _c =1mA	-	0.1	0.3	V
ISOLATION RESISTANCE	R _{iso}	DC500V	5x10 ¹⁰	10 ¹¹	-	ohm
FLOATING CAPACITANCE	C _f	V=0, f=1MHz	-	0.6	1.0	pF
CUT-OFF FREQUENCY	f _c	V _{CE} =5V, I _c =2mA, R _L =100ohm	-	80	-	kHz
RESPONSE TIME (RISE)	t _r	V _{CE} =5V, I _c =2mA, R _L =100ohm	-	5	20	μs
RESPONSE TIME (FALL)	t _f	V _{CE} =5V, I _c =2mA, R _L =100ohm	-	4	20	μs

I=INPUT, O=OUTPUT, T=TRANSFER CHARACTERISTICS.

ABSOLUTE MAXIMUM RATINGS (To=25°C)

PARAMETER	SYMBOL	MAX	UNITS
I FORWARD CURRENT	I _f	50	mA
PEAK FORWARD CURRENT	I _{FM}	1	A
REVERSE VOLTAGE	V _r	6	V
POWER DISSIPATION	P _d	70	mW
O COLLECTOR-EMITTER VOLTAGE	V _{CEO}	60	V
EMITTER-COLLECTOR VOLTAGE	V _{ECO}	6	V
COLLECTOR CURRENT	I _c	50	mA
COLLECTOR POWER DISSIPATION	P _c	150	mW
TOTAL POWER DISSIPATION	P _{tot}	200	mW
ISOLATION VOLTAGE 1 MIN.	V _{iso}	5000	V _{RMS}
OPERATING TEMPERATURE	T _{opr}	-30 TO +100	°C
STORAGE TEMPERATURE	T _{stg}	-55 TO +125	°C
SOLDERING TEMPERATURE	T _{sol}	+260	°C
2.0mm FROM BODY		10 SEC. MAX	

I=INPUT, O=OUTPUT.

CAUTION: STATIC SENSITIVE DEVICE
 FOLLOW PROPER E.S.D. HANDLING PROCEDURES
 WHEN WORKING WITH THIS PART.

UL Listed Under FPQU2

1-800-278-5666

www.optolinks.com

1-800-944-2790