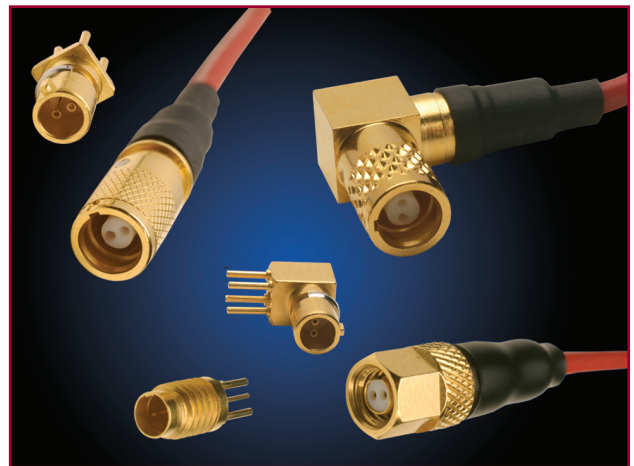


Micro Twinax Connectors



Micro Twinax NDL Size Connectors Threaded & Quick Disconnect

Sabritec's Micro Twinax NDL line features matched impedance miniaturized connectors that provide the user with controlled impedance and tightly spaced PCB footprint spacing.

The NDL Micro Twinax Series is offered in threaded and quick disconnect styles and are 25% smaller in diameter than SMA coaxial connectors. The quick disconnect version has a diameter of .250" max and the threaded version has .250" Hex coupling nut.

These connectors replace the standard NDL Triax series for higher speed balanced Twinax applications and are applicable for High-Speed Ethernet (100 and 1000 Base-T), Fibre Channel (>1 Gbits/sec), IEEE 1394 Firewire, USB, DVI and Infiniband applications with 100 or 150 Ohm differential pair impedance.

Micro Twinax Connectors are also available in SMA and Micro-D size packages, consult factory for more information.



Micro Twinax NDL Quick Disconnect

Micro Twinax NDL Threaded

Mechanical & Environmental Specifications

Temperature Rating	-55°C to + 125°C
Corrosion	MIL-STD-202 Method 101 Test Condition B
Shock	MIL-STD-202 Method 213 Test Condition B
Vibration	MIL-STD-202 Method 204 Test Condition B
Thermal Shock	MIL-STD-202 Method 107 Test Condition B
Durability	500 Mate/Unmate cycles min.
Coupling Nut Torque (threaded) Recommended	2.3 in-lbs min.
Mating Torque (threaded)	2.5 in-lbs
Engagement /Disengagement Force (Quick Disconnect)	3 lbs max / 3 to 5 lbs

Electrical Specifications

Dielectric Withstanding Voltage	250 VDC max
Insulation Resistance	5,000 Mega-Ohms min.
Contact Current Rating	3.0 Amps D.C. max.
Data Rates	>1 Gbits/sec
Differential Pair Cable Impedance	150 Ohm \pm 15 Ohm 100 Ohm \pm 10 Ohms
Signal to Shield Cable Impedance	75 Ohm \pm 10 Ohm 50 Ohm \pm 7 Ohms

Material & Finishes

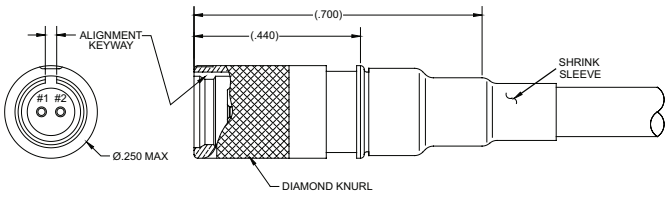
Body	Brass per ASTM-B16, BeCu per ASTM-B196 Nickel per SAE-AMS-QQ-N-290 Gold per ASTM-B488
Insulators	PTFE per ASTM-D1710 Ultem per ASTM-D5205
Contacts	BeCu per ASTM-B196 Gold per ASTM-B488



Micro Twinax Connectors

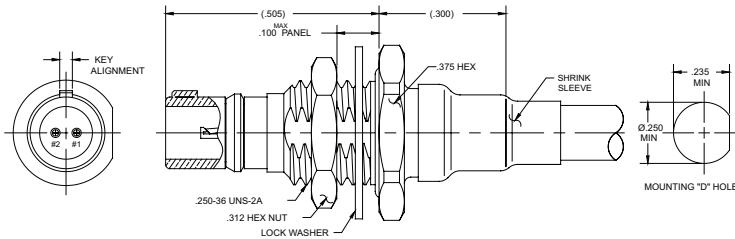
Quick Disconnect NDL Size Packages

Quick Disconnect Micro Twinax NDL Plug 100 and 150 Ohm



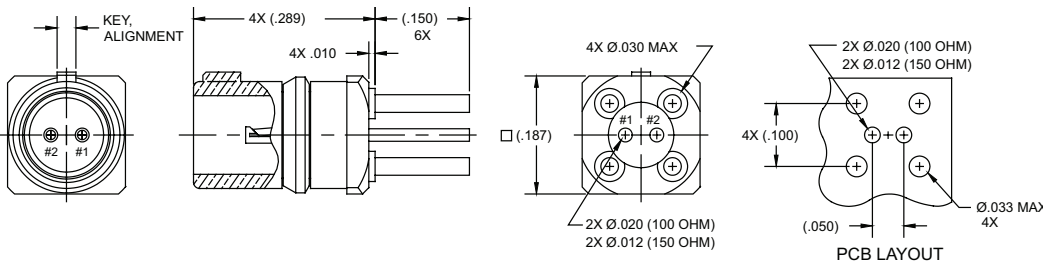
Part Number	Ohms	Cable Type	Cable
014034-2049	100	Differential Twinax	540-1153-000
014034-2050	100	Flexible Twinax	540-1161-000
014034-2051	100	Differential Twinax	540-1167-000
014034-2052	150	Flexible Twinax	540-1099-000

Quick Disconnect Micro Twinax NDL Bulkhead Mount Jack 100 and 150 Ohm



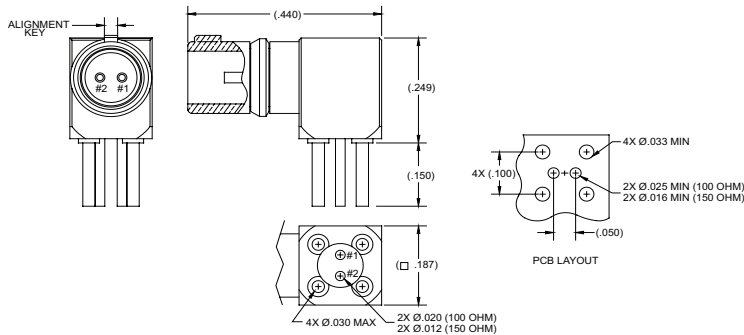
Part Number	Ohms	Cable Type	Cable
014134-5023	100	Differential Twinax	540-1153-000
014134-5024	100	Flexible Twinax	540-1161-000
014134-5025	100	Differential Twinax	540-1167-000
014134-5026	150	Flexible Twinax	540-1099-000

Quick Disconnect Micro Twinax NDL Jack Straight PCB Mount 100 and 150 Ohm



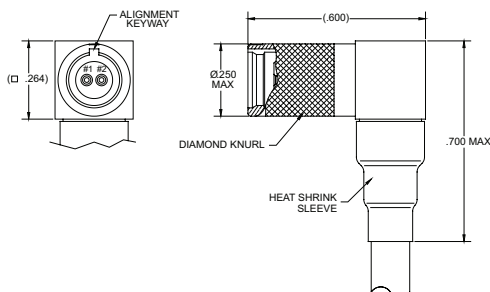
Part Number	Impedance
014117-2023	100 Ohms
014117-2024	150 Ohms

Quick Disconnect Micro Twinax NDL Right Angle PCB Mount 100 and 150 Ohm



Part Number	Impedance
014117-1037	100 Ohms
014117-1038	150 Ohms

Quick Disconnect Micro Twinax NDL Right Angle Plug 100 and 150 Ohm

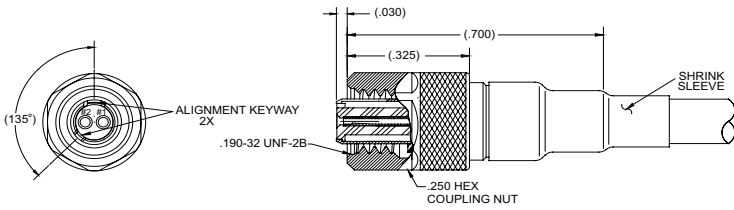


Part Number	Ohms	Cable Type	Cable
014034-1027	100	Differential Twinax	540-1153-000
014034-1028	100	Flexible Twinax	540-1161-000
014034-1029	100	Differential Twinax	540-1167-000
014034-1030	150	Flexible Twinax	540-1099-000



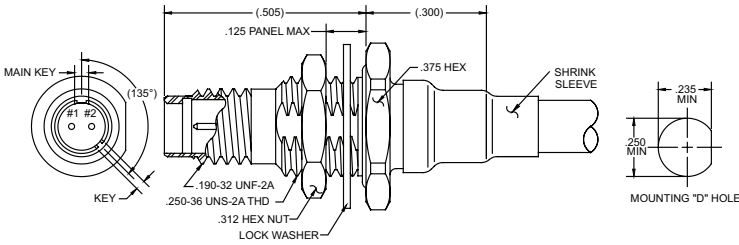
Micro Twinax Connectors Threaded NDL Size Packages

Threaded Micro Twinax NDL Straight Cable Plug 100 and 150 Ohm



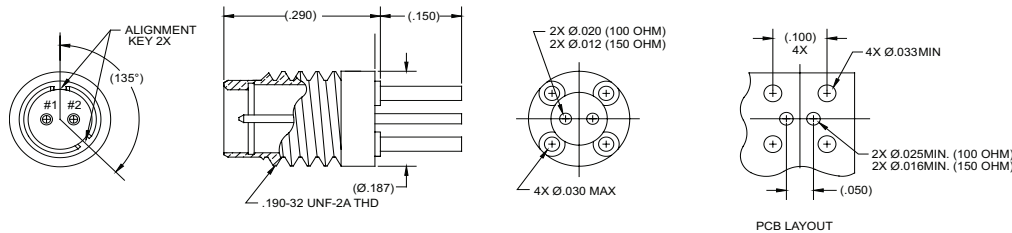
Part Number	Ohms	Cable Type	Cable
014034-2045	100	Differential Twinax	540-1153-000
014034-2046	100	Flexible Twinax	540-1161-000
014304-2047	100	Differential Twinax	540-1167-000
014034-2048	150	Differential Twinax	540-1099-000

Threaded Micro Twinax NDL Bulkhead Mount Jack 100 and 150 Ohm



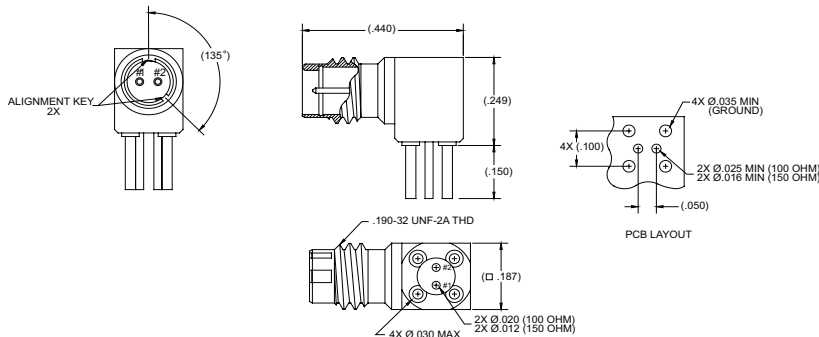
Part Number	Ohms	Cable Type	Cable
014134-5018	100	Differential Twinax	540-1153-000
014134-5019	100	Flexible Twinax	540-1161-000
014134-5020	100	Differential Twinax	540-1167-000
014134-5021	150	Differential Twinax	540-1099-000

Threaded Micro Twinax NDL Straight Jack 100 and 150 Ohm PCB Mount



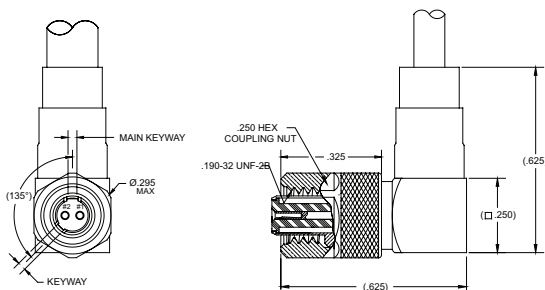
Part Number	Impedance
014117-2020	100 Ohms
014117-2021	150 Ohms

Threaded Micro Twinax NDL Right Angle Jack 100 and 150 Ohm PCB Mount



Part Number	Impedance
014117-1030	100 Ohms
014117-1031	150 Ohms

Threaded Micro Twinax NDL Right Angle Plug 100 and 150 Ohm

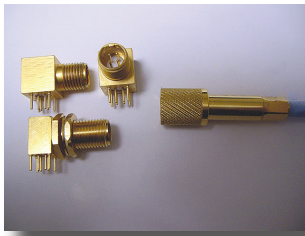


Part Number	Ohms	Cable Type	Cable
014034-1020	100	Flexible Twinax	540-1153-000
014034-1021	100	Differential Twinax	540-1161-000
014034-1022	100	Differential Twinax	540-1167-000
014034-1023	150	Flexible Twinax	540-1099-000



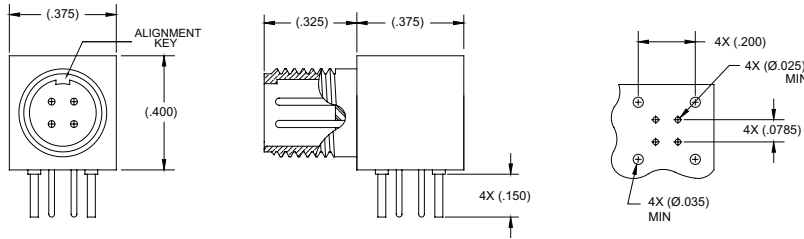
Micro Quadrax Connectors

100 Ohm Quadrax



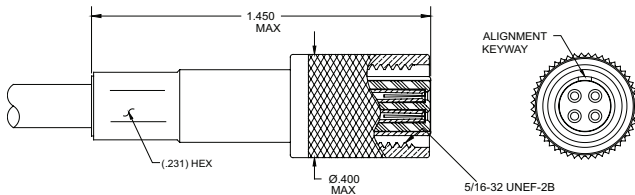
Micro Quadrax connectors are designed for differential pair matched impedance applications utilizing quadrax cable consisting of four wires where the diagonal pair of conductors forms a differential twinax pair. These connectors have a low impedance ground shield and are ideal for Ethernet (100 and 1000 Base-T), IEEE 1394 Firewire, USB, DVI and Infiniband applications with 100 ohm differential impedance. These connectors maintain the signal to shield impedance throughout the mated connector pair (quad configuration applications exceeding 1 Gbit/sec).

Micro Quadrax Right Angle PCB Mount Receptacle



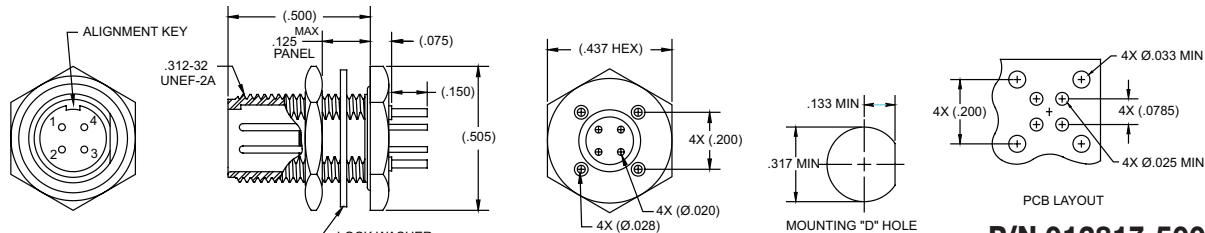
P/N 012817-1000

Micro Quadrax Plug 100 Ohm



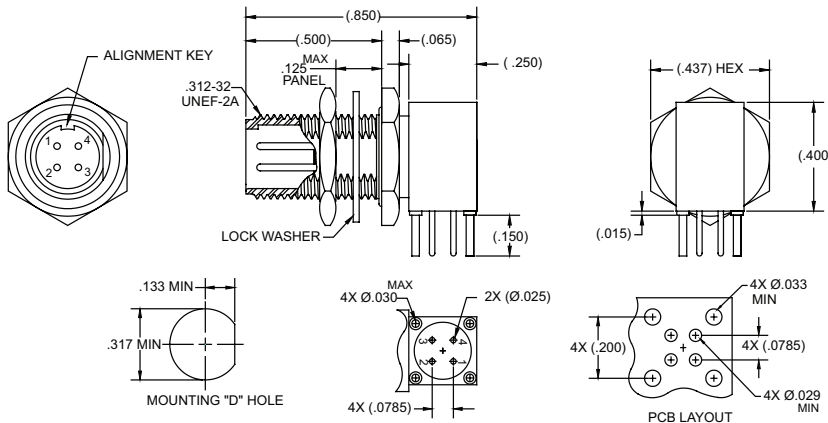
Part Number	Cable Type	Cable
012735-2013	Differential Quad	540-1183-000

Micro Quadrax Straight Bulkhead Mount PCB Jack



P/N 012817-5001

Micro Quadrax Right Angle Bulkhead Mount PCB Jack



P/N 012817-5003

Sabritec - Headquarters
 17550 Gillette Ave, Irvine
 CA 92614, USA
 t: +1 (949) 250-1244 f: +1 (949) 250-1009
 e: customerservice@sabritec.com

Sabritec Europe
 36-38 Waterloo Road,
 London NW2 7UH, UK
 t: +44 (0) 20 8450 8033 f: +44 (0) 20 8452 3455
 e: europeansales@sabritec.com

FOR FURTHER INFORMATION VISIT >> www.sabritec.com