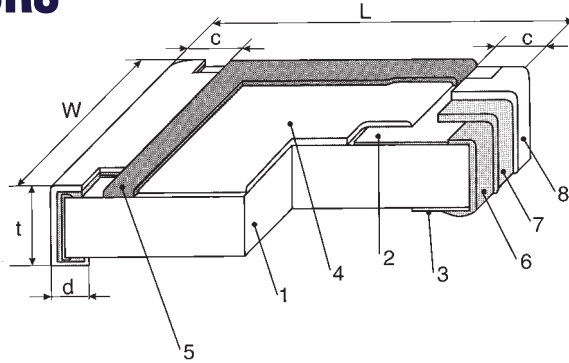


CIRCUIT PROTECTORS

FUSIBLE FLAT CHIP RESISTORS RF73



STRUCTURE

- 1 Ceramic substrate
- 2 Top termination
- 3 Bottom termination
- 4 Fusible resistive film
- 5 Protective layer
- 6 End termination (Ni Cr)
- 7 Diffusion barrier (Ni)
- 8 Solder plating

IDENTIFICATION

| PRODUCT CODE | COATING COLOR | MARKING |
|--------------|---------------|-----------------|
| RF73 | Brown | Black, 3 digits |

Products with Pb-free terminations meet RoHS requirements

TYPE DESIGNATION (HOW TO ORDER)

| | | | | | | | |
|------------------------|--------------|------------------|-----------|---|-----------------------|-----------------------------------|-----------------------------------|
| Old Part No. | RF73B | 2A | J | | TD | 22R | |
| New Part No. (Pb-free) | RF73 | 2A | | T | TD | 220 | J |
| | PRODUCT CODE | STYLE 1J...3A | TOLERANCE | TERMINATION SURFACE MATERIAL T: Sn L: Sn/b | TAPING* TD, TE, BK | NOMINAL RESISTANCE 3 digits | RESISTANCE TOLERANCE J: ±5% |

*Please see "PACKAGING"

FEATURES

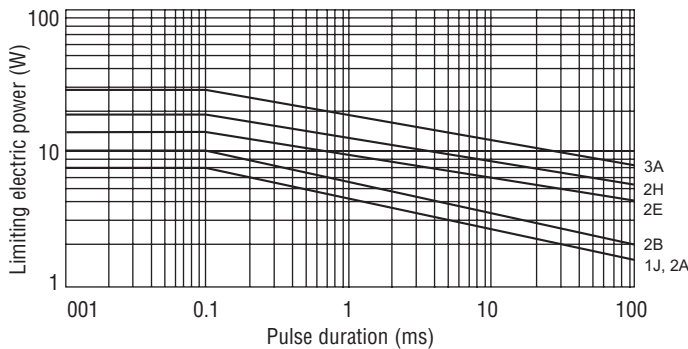
- Small and light with the same configuration as a flat chip resistor (RK73 series)
- Works as a resistor in normal operation
- Fuses quickly and protects circuits when excessive voltage is applied
- Anti-Leaching nickel barrier terminations
- Fusing time: max. 60 sec.
- Recognized by safety standard UL1412 (2A/0805...3A/2512) (1J/0603 is not recognized)
- Meets or exceeds IEC 60115-8, JIS C 5201-8, EIAJ RC-2124
- Rated ambient temperature: +70°C
- Operating temperature range: -55°C ... +125°C
- Suitable for reflow and wave soldering

DIMENSIONS (mm)

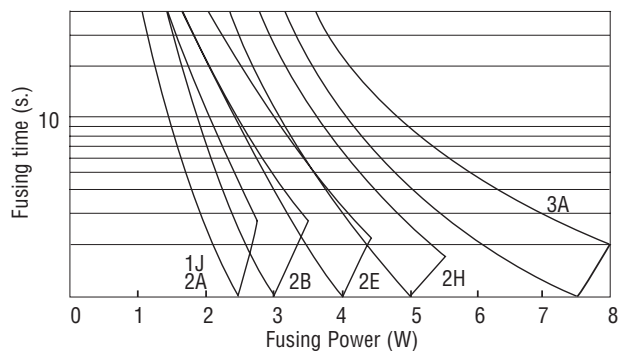
| TYPE | L ± 0.2 | W | C | d | t ± 0.1 |
|---------|---------|------------|-----------|-------------------------------------|---------|
| RF73 1J | 1.6 | 0.8 ± 0.1 | 0.3 ± 0.1 | 0.3 ± 0.1 | 0.5 |
| RF73 2A | 2.0 | 1.25 ± 0.1 | 0.4 ± 0.2 | 0.3 ^{+0.2} _{-0.1} | |
| RF73 2B | 3.2 | 1.6 ± 0.2 | 0.5 ± 0.3 | 0.4 ^{+0.2} _{-0.1} | 0.6 |
| RF73 2E | | 2.6 ± 0.2 | | | |
| RF73 2H | 5.0 | 2.5 ± 0.2 | | 0.4 ^{+0.2} _{-0.1} | |
| RF73 3A | 6.3 | 3.1 ± 0.2 | | (0.65±0.15)* | |

* Time of change to (0.65 ± 0.15) will be announced by PCN.

ONE PULSE LIMITING ELECTRIC POWER



EXAMPLE OF FUSING CHARACTERISTICS



RATING

| SIZE | TYPE | POWER RATING* | T.C.R. | RESISTANCE RANGE (E24) | FUSING CHARACTERISTICS (FUSING POWER) | | | | |
|------|---------|---------------|-----------------------------|------------------------|---------------------------------------|--------------------------|-------------------------|-----------------------|-------------------------|
| | | | | | 1 | 2 | 3 | 4 | 5 |
| 0603 | RF73 1J | 0.063 W | see below* | 1Ω ... 100Ω J(±5%) | — | 2.6 W 1 Ω | 2.4 W 1.1Ω ... 20Ω | 2.1 W 22Ω ... 100Ω | — |
| 0805 | RF73 2A | 0.1 W | +1000... -500 ppm/K | 0.2 Ω | 3.0 W 0.2 Ω...0.47 Ω | 2.6 W 0.51 Ω...1.0 Ω | 2.4 W 1.1 Ω...20 Ω | 2.1 W 22 Ω...100 Ω | 2.0 W 110 Ω...510 Ω |
| 1206 | RF73 2B | 0.125 W | (0.2Ω...4.3Ω) | | 3.75 W 0.2 Ω...0.47 Ω | 2.875 W 0.51 Ω...10 Ω | 2.5 W 11 Ω...24 Ω | 2.0 W 27 Ω...100 Ω | 1.75 W 110 Ω...510 Ω |
| 1210 | RF73 2E | 0.25 W | ±500 ppm/K (4.7Ω...510Ω) | ... | 4.5 W 0.2 Ω...0.47 Ω | 4.1 W 0.51 Ω...4.7 Ω | 3.5 W 5.1 Ω...27 Ω | 3.2 W 30 Ω...100 Ω | 3.0 W 110 Ω...510 Ω |
| 2010 | RF73 2H | 0.5 W | | J (±5%) | 510 Ω | 5.5 W 0.2 Ω...0.47 Ω | 5.0 W 0.51 Ω...4.7 Ω | 4.0 W 5.1 Ω...27 Ω | 3.5 W 30 Ω...100 Ω |
| 2512 | RF73 3A | 1.0 W | | | 6.5 W 0.2 Ω...0.47 Ω | 6.0 W 0.51 Ω...4.7 Ω | 5.0 W 5.1 Ω...30 Ω | 4.5 W 33 Ω...100 Ω | 4.0 W 110 Ω...510 Ω |

*T.C.R. +1000 ... -500ppm/K (1Ω ... 3.3Ω), T.C.R. ±500ppm/K (3.6Ω ... 100Ω)

*For resistors operated at an ambient temperature of +70°C or above, the power rating shall be derated.