

Types VOY-15 and VOY-15G Outdoor voltage transformers

Product features

- 25 kV outdoor
- 150 kV BIL, 60 Hertz
- Primary volts: 7200 - 24940
- Electrical clearances:
 - VOY-15 strike: 15.25" (387 mm)
 - VOY-15 creep: 38.00" (965 mm)
 - VOY-15G strike: 11.25" (286 mm)
 - VOY-15G creep: 33.60" (853 mm)
- Approximate weights:
 - VOY-15: 125 lbs (57 kg)
 - VOY-15G: 120 lbs (54 kg)

Application

The VOY-15 and VOY-15G outdoor voltage transformers are designed for solid state relaying and electronic metering where the burden of the device is negligible.

Construction features

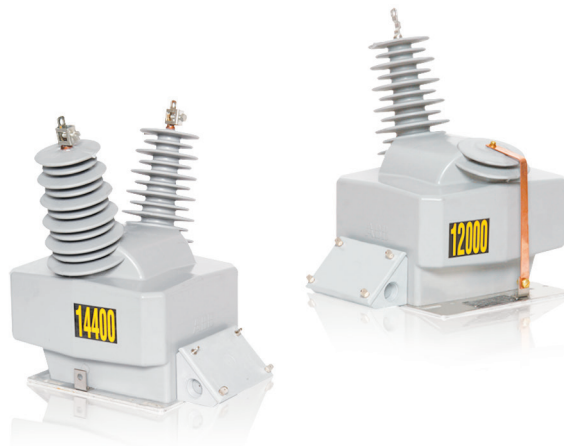
The layer wound and shielded high voltage winding is designed to withstand continuous operation at ratings higher than the line-to-ground voltage level when applied on a 25 kV, 150 kV BIL system. Refer to the Selection Guide for the rated voltage factor (RVF). Two cores placed through and around the windings are protectively cushioned and secured to a support frame.

For insulation and protection, the assembly is cast in hydrophobic cycloaliphatic epoxy (HCEP) using automatic pressure gelation. The HCEP material offers superior arc track, ozone, and ultraviolet-resistive properties while maintaining physical strength. The hydrophobic properties of HCEP ensure a high level of performance in wet or humid environments.

Terminals

Electro-tin plated copper primary line terminals accommodate #10 to 250 MCM conductors. The H2 neutral terminal of the VOY-15G is insulated to withstand a 19 kV test level and can be disconnected from the external ground cable for power factor measurement.

Clamp-type secondary terminals accommodate #14 through #3 wire. A ground terminal is also provided for grounding the secondary circuit at the transformer.



Junction box

The junction box has a 1" conduit hub on either end and a knock out for a 1" conduit fitting on the bottom. The box is anchored to the body of the transformer with screws and can be easily detached, simplifying installation and change-out procedures.

Baseplate

The base is constructed of corrosion-resistant aluminum and is secured to the encapsulated base support.

Mounting

The VOY-15 and VOY-15G can be mounted in upright, cantilever, or upside-down positions. Stress relief devices should be used to support cable connections.

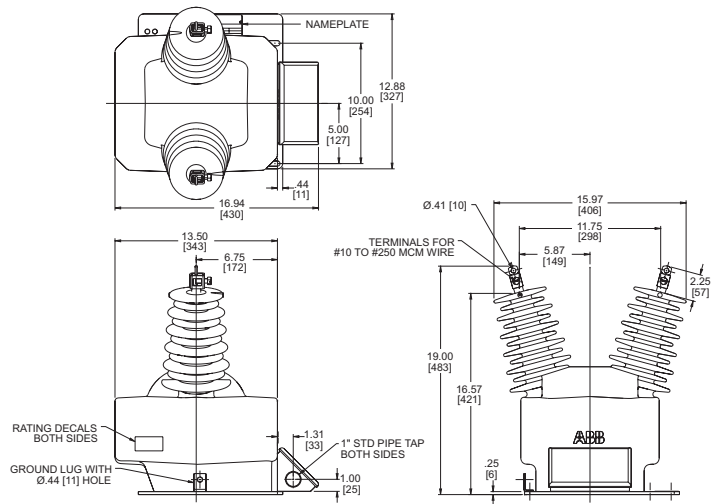
Test reports

Test reports are stored electronically and can be e-mailed in various formats at the time of shipment.

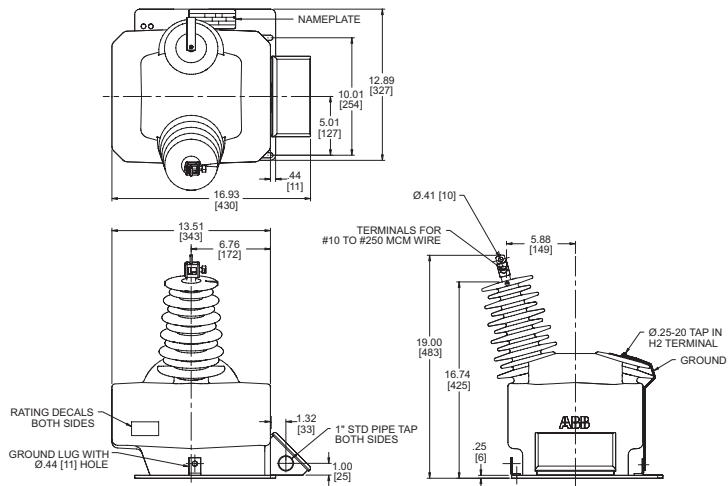
Standards

These units can be tested to all applicable IEEE, CSA, or IEC standards as requested.

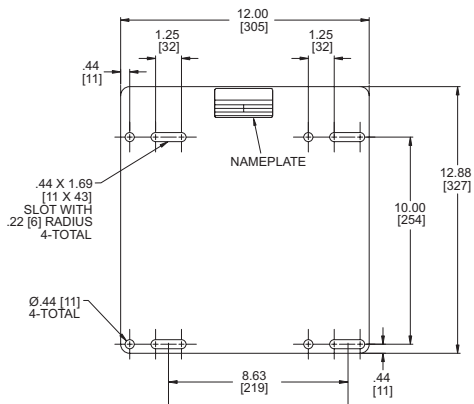
Dimensions



Type VOY-15



Type VOY-15G



Baseplate dimensions

Selection guide

Primary voltage	Secondary voltage	Winding ratio	IEEE metering accuracy	Rated voltage factor	Thermal rating @ 30° C	Style number
Type VOY-15						
12000/20780Y	120	100:1	0.3 W, X, M, & Y	1.9	1000	E-7526A62G01
14400/24940Y	120	120:1	0.3 W, X, M, & Y	1.9	1000	E-7526A62G02
18000/18000Y	120	150:1	0.3 W, X, M, & Y	1.9	1000	E-7526A62G03
20000/20000Y	120	166.7:1	0.3 W, X, M, & Y	1.9	1000	E-7526A62G04
24000/24000Y	120	200:1	0.3 W, X, M, & Y	1.9	1000	E-7526A62G05
Type VOY-15G						
7620/13200GY	120	63.5:1	0.3 W, X, M, & Y	1.9	1000	E-7526A63G08
12000/20780GY	120	100:1	0.3 W, X, M, & Y	1.9	1000	E-7526A63G01
13200/22860GY	120	110:1	0.3 W, X, M, & Y	1.9	1000	E-7526A63G06
14400/24940GY	120	120:1	0.3 W, X, M, & Y	1.9	1000	E-7526A63G02
14400/24940GY	120 & 120	120 & 120:1	0.3 W, X, M, & Y	1.9	1000	E-7882A07G06
20125/34500GY	115	175:1	0.3 W, X, M, & Y	1.9	1000	E-7526A63G18

Additional styles available upon request. Contact your ABB sales representative or call +1-252-827-3212 for more information.

Note: 50 Hz designs available

For more information please contact:

ABB Inc.

Medium Voltage Distribution Components

3022 NC 43 North

Pinetops, NC 27864

USA

Phone: +1 252 827 3212

Fax: +1 252 827 4286

www.abb.com/mediumvoltage

Note:

The information contained in this document is for general information purposes only. While ABB strives to keep the information up to date and correct, it makes no representations or warranties of any kind, express or implied, about the completeness, accuracy, reliability, suitability, or availability with respect to the information, products, services, or related graphics contained in the document for any purpose. Any reliance placed on such information is therefore strictly at your own risk. ABB reserves the right to discontinue any product or service at any time.

Copyright 2006 ABB.

All rights reserved.