

THIS DRAWING IS UNPUBLISHED.

RELEASED FOR PUBLICATION

© COPYRIGHT - BY TYCO ELECTRONICS CORPORATION. ALL RIGHTS RESERVED.

LOC H DIST -

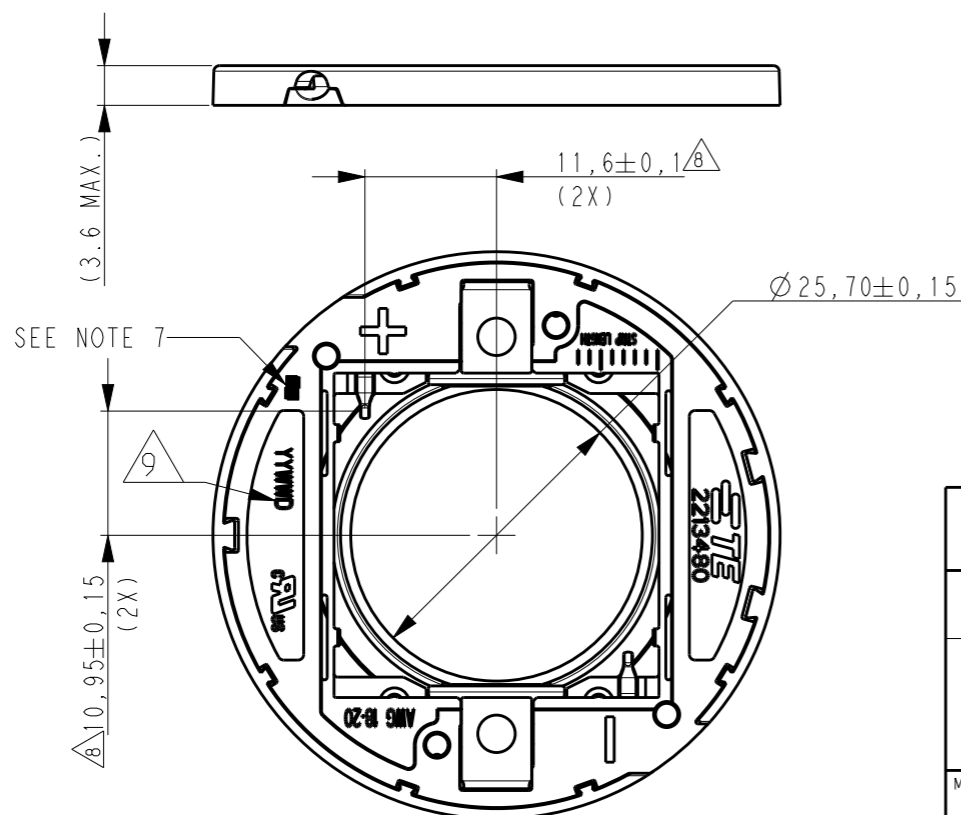
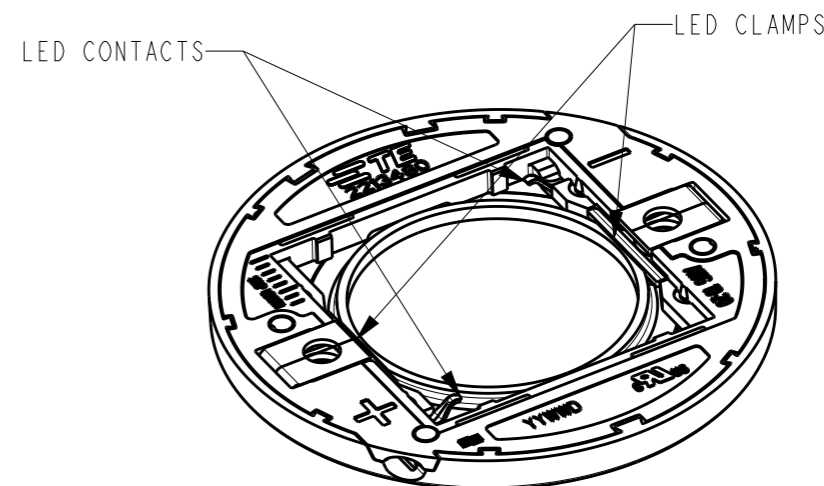
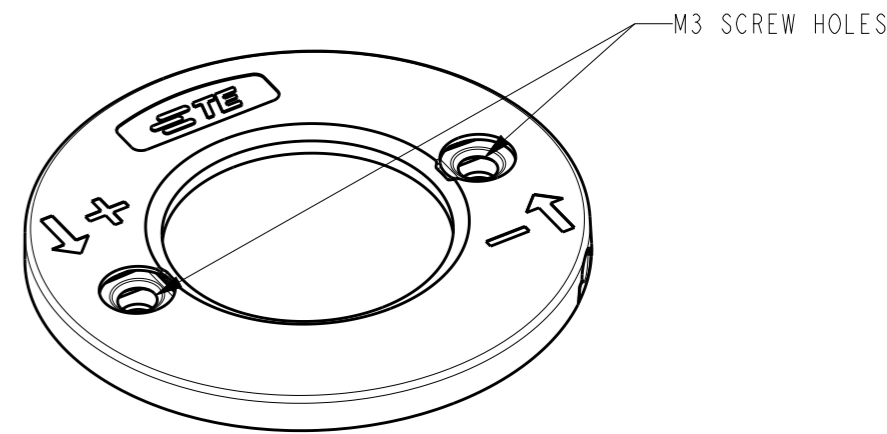
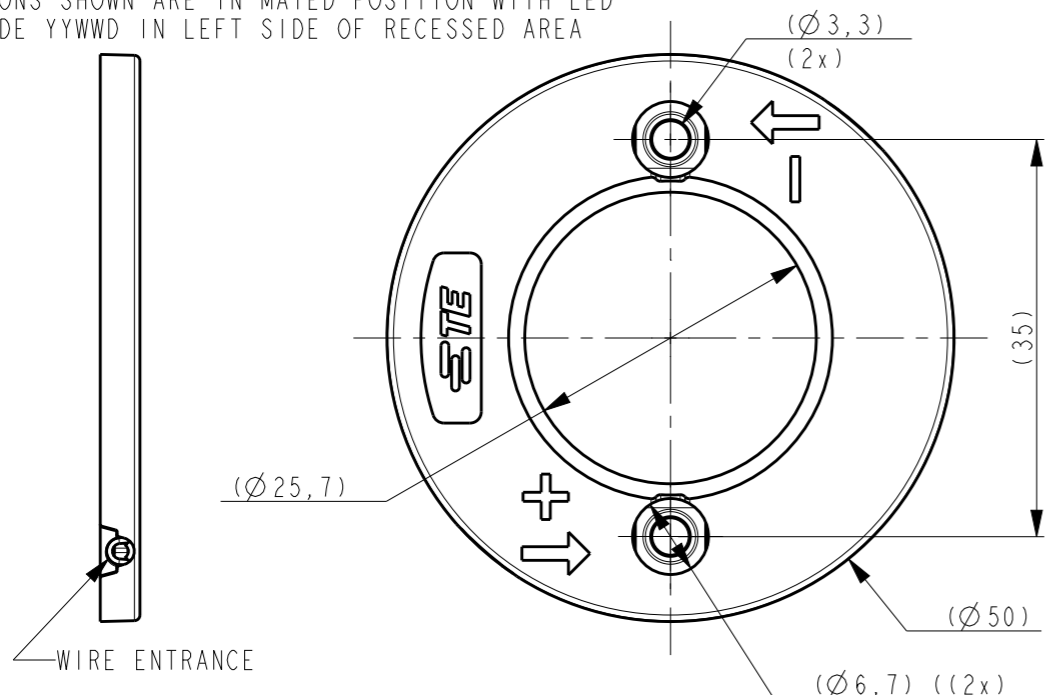
REVISIONS

P	LTR	DESCRIPTION	DATE	DWN	APVD
	C	ECR-16-008263	09JUN2016	KR	MvE
	C1	ECR-17-000133	05JAN2017	RK	MVE
	C2	ADDED RELEASED LEDS	28JAN2017	RK	MVE
	C3	ECR-18-003552	14MAR2018	GCM	DD

NOTES:

- MATERIALS:
HOUSING: GLASS FILLED PBT, HALOGEN FREE FLAME RETARDANT
COLOR : WHITE
CONTACTS: GOLD PLATED COPPER ALLOY
 - FOR WIRE TYPES AWG 18 AND 20 AWG.
 - COMPLIES WITH DIRECTIVE 2002/95/EC (ROHS)
 - WIRE STRIP LENGTH: 7-8 mm
 - MAX. WIRE INSULATION OUTER DIAM.: $\varnothing 2.3\text{mm}$.
 - RECOMMENDED SCREW TORQUE: 0.4 - 0.6 Nm.
 - IN ORDER TO CREATE A FLAT OPTIC LANDING ZONE ON HOLDER A COUNTERSUNK SCREW CAN BE USED, I.E. SCREW-TYPE ISO 10642.
 - BLACK MARK INDICATES THE + (ANODE) SIDE
- 8
9
- DIMENSIONS SHOWN ARE IN MATED POSITION WITH LED
DATE CODE YYWW IN LEFT SIDE OF RECESSED AREA

⚠ DUE TO HIGH LUMEN OUTPUT CARE MUST BE TAKEN TO DESIGN OPTICAL SYSTEM TO ENSURE LIGHT DOES NOT REACH HOLDER.



PART NO	DESCRIPTION	PACKAGING
2-2213480-1	Z50 LED HOLDER 2828	2x10 PIECES IN TRAY AND BOX 25 BOXES IN SHIPPING BOX
1-2213480-1	Z50 LED HOLDER 2828	2x10 PIECES IN TRAY AND BOX 25 BOXES IN SHIPPING BOX
2213480-2	LUMAWISE Z50 LED holder 2727 general	2x5 PIECES IN TRAY 56 TRAYS IN SHIPPING BOX
2213480-1	LUMAWISE Z50 LED holder 2828 general	2x5 PIECES IN TRAY 56 TRAYS IN SHIPPING BOX

THIS DRAWING IS A CONTROLLED DOCUMENT.

DWN 08APRIL2014
P. POORTER

CHK 08APRIL2014
O. LEIJNSE

APVD 08APRIL2014
O. LEIJNSE

PRODUCT SPEC 108-133018

APPLICATION SPEC 114-133019

WEIGHT -

Customer Drawing

SCALE 3:2 SHEET 1 OF 3 REV C3

STE TE Connectivity

NAME LUMAWISE Z50 high performance LED HOLDER

SIZE A3 CAGE CODE 00779 DRAWING NO C-2213480 RESTRICTED TO -

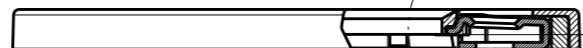
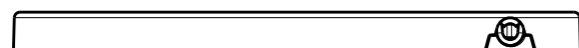
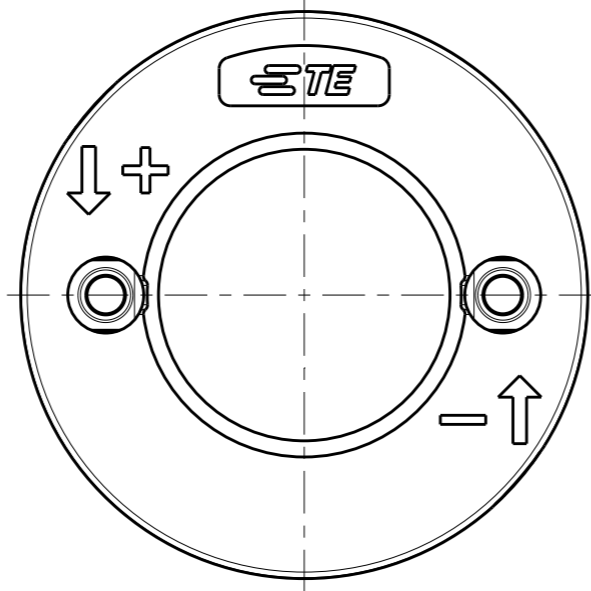
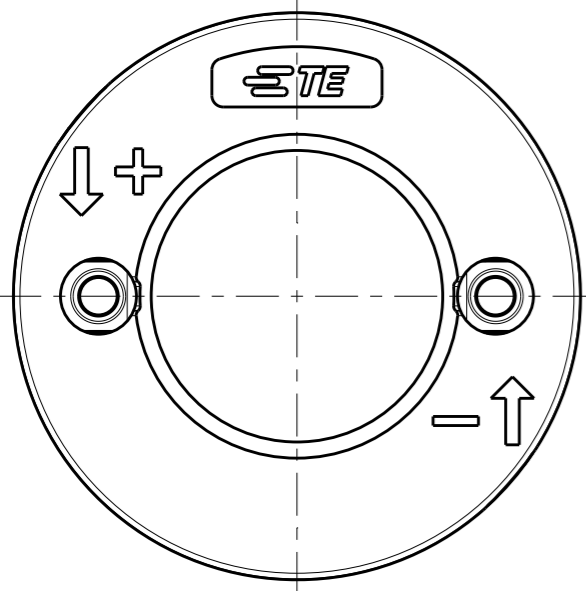
THIS DRAWING IS UNPUBLISHED. RELEASED FOR PUBLICATION

© COPYRIGHT - BY TYCO ELECTRONICS CORPORATION. ALL RIGHTS RESERVED.

LOC		DIST		REVISIONS			
P	LTR	DESCRIPTION	DATE	DWN	APVD		
	-	SEE SHEET 1	-	-	-		

2213480-1 AS SHOWN

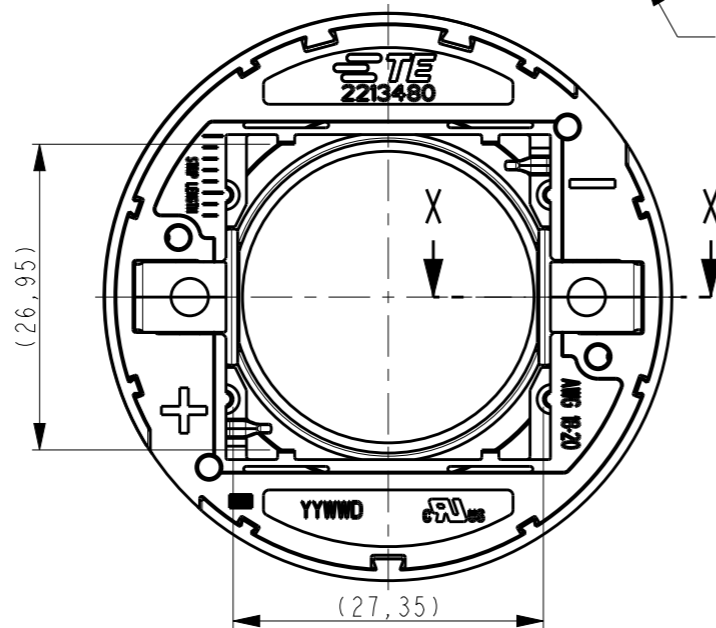
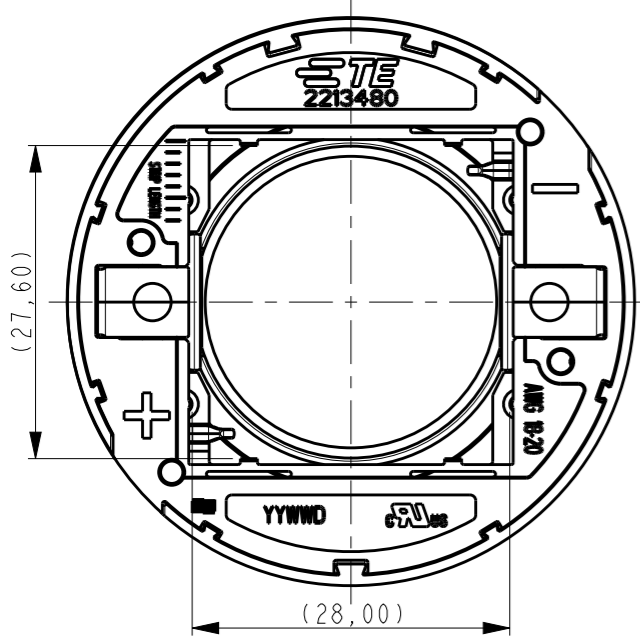
2213480-2 AS SHOWN



SECTION X-X

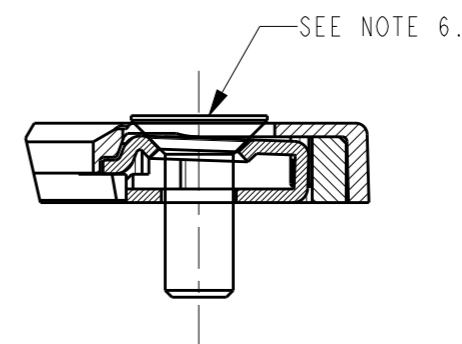
1.2 MAX. LED HEIGHT

SEE DETAIL A



RELEASED LED'S

NAME	DATA SHEET	REVISION	PART NUMBER
LUMINUS CXM-22	PDS-002437	REV 04	2213480-1
CITIZEN	CLU044		
CITIZEN	CLU046		
CITIZEN	CLU730		
CITIZEN	CLL040		
CITIZEN	CLL042		
CITIZEN	CLU730		
LG INNOTEK	LEMWM28C80LZXXXX		
LG INNOTEK	LEMWM28C80HZXXXX		
BRIDGELUX	V22		
EDISON OPTO	2PHM40X		
SEOUL SEMI	SDW05F1C, SDW85F1C, ZC40	REV1.0, JULY 19, 2013	
LUMINUS	CXM-22	PDS-002437 REV 04	
PANASONIC	DMC12CC	PM-VSO / 5	
PANASONIC	DMC 17CC	PM-VSO / 5	
PANASONIC	DMS 150		
PANASONIC	DMS 120		
PANASONIC	DMS12CC40G		
BRIDGELUX	V22C GEN 7 ARRAY	DS103 REV. C (07/2016)	
SAMSUNG	COB LC040D	REV 2.0, JUNE 30, 2016	



DETAIL A
SCALE 3:1

THIS DRAWING IS A CONTROLLED DOCUMENT.

DIMENSIONS:	TOLERANCES UNLESS OTHERWISE SPECIFIED:
mm	0 PLC ±-
	1 PLC ±-
	2 PLC ±-
	3 PLC ±-
	4 PLC ±-
	ANGLES ±-
MATERIAL	FINISH
-	-
-	-

DWN	08APRIL2014
P. POORTER	
CHK	08APRIL2014
O. LEIJNSE	
APVD	08APRIL2014
O. LEIJNSE	
PRODUCT SPEC	108-133018
APPLICATION SPEC	114-133019
WEIGHT	-
Customer Drawing	



NAME				LUMAWISE Z50 high performance LED HOLDER	
SIZE	CAGE CODE	DRAWING NO	RESTRICTED TO		
A3	00779	C-2213480	-		
SCALE		SHEET	OF	REV	
3:2		2	3	C3	

4

3

2

1

THIS DRAWING IS UNPUBLISHED.

RELEASED FOR PUBLICATION

© COPYRIGHT - BY TYCO ELECTRONICS CORPORATION. ALL RIGHTS RESERVED.

LOC	DIST	REVISIONS					
		P	LTR	DESCRIPTION	DATE	DWN	APVD
		-		SEE SHEET 1	-	-	-

RECOMMENDED DRILLING HOLE PATTERN:

M3 (2x)
 ± 0.1

35,00

$\varnothing 50.0$ MIN.
KEEP OUT ZONE

NOMINAL LED INFO:

THE SKETCH BELOW IS SHOWING THE NOMINAL LED COB DIMENSIONS TO MATCH WITH THE Z50 LED HOLDER 2828

FOR TECHNICAL DETAILS ABOUT A PROPER MATCH WITH A SPECIFIC LED COB ARRAY PLEASE CONTACT A REPRESENTATIVE AT TE-CONNECTIVITY

27.35-28,00
NOMINAL

CONTACT POINTS
AREA (2x)

27.35-28,00
NOMINAL

1.2 MAX.

LES
25,50 MAX.

RECOMMENDED KEEP OUT AREA FOR CLAMPING:

25,8 MIN.

12,7 MIN.

NO TRACKS BELOW
THIS AREA !

THIS DRAWING IS A CONTROLLED DOCUMENT.		DWN P. POORTER 08APRIL2014	TE Connectivity	
DIMENSIONS: mm		CHK O. LEIJNSE 08APRIL2014		
TOLERANCES UNLESS OTHERWISE SPECIFIED:		APVD O. LEIJNSE 08APRIL2014	NAME LUMAWISE Z50 high performance LED HOLDER	
0 PLC \pm - 1 PLC \pm - 2 PLC \pm - 3 PLC \pm - 4 PLC \pm - ANGLES \pm -		PRODUCT SPEC 108-133018	RESTRICTED TO	
MATERIAL		APPLICATION SPEC 114-133019	SIZE A3	CAGE CODE 00779
FINISH		WEIGHT	DRAWING NO C-2213480	
		Customer Drawing	SCALE 3:2	SHEET 3 OF 3
				REV C3

1470-19 (3/11)