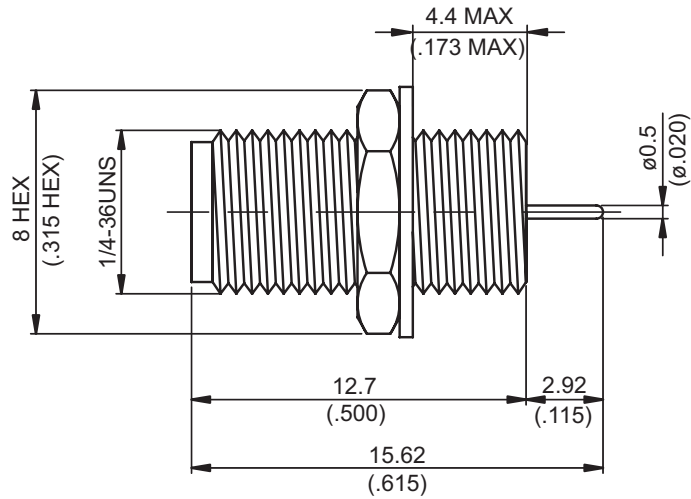


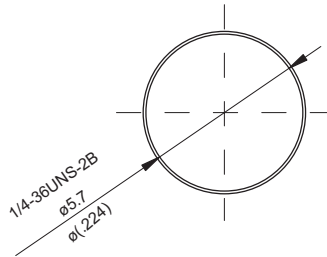
SMA8506S-0000

Stainless SMA Jack For Bulkhead

50Ω



MOUNTING HOLE



Parts	Material	Plating (Micro-inch)
Hex Nut	Brass	Tin-Zinc-Copper-Alloy 100 Over Copper 50
Lock Washer	Brass	Tin-Zinc-Copper-Alloy 100 Over Copper 50
Contact Pin	Beryllium Copper	Gold 20 Over Nickel 50 Over Copper 50
Insulator	Teflon	
Body	Stainless Steel	Passivated

Weight: 2.63 g

This part number complies with RoHS.

Notice: JYEBAO reserves the right to make modifications deemed appropriate.